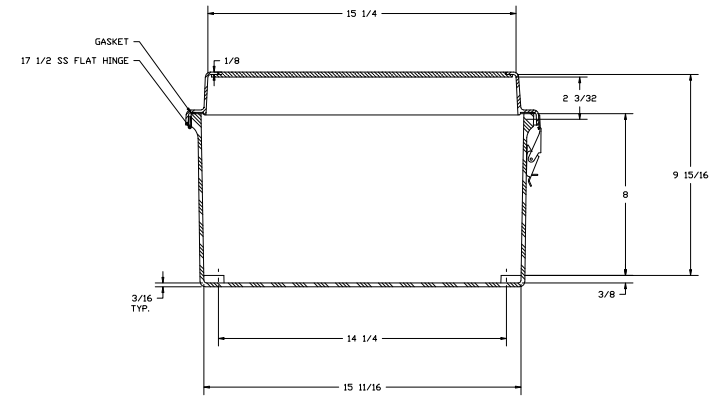
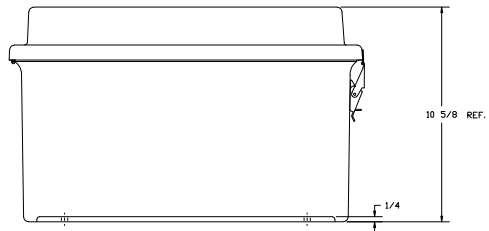


SECTION B-B



SECTION A-A

NOTES									
NEMA 4X					TOLERANCES UNLESS SPECIFIED				
COLOR: GLACIER GRAY RR1013					DECIMAL	FRACTIONAL			
					±.010	± 1/32			
MATERIAL			DR. BY		DATE		STAHLIN ENCLOSURES		
F.R. POLYESTER FIBERGLASS			SH		8/21/91		BELDING, MICHIGAN		
REVISION RECORD			CHK. BY		DATE		48809		
LET.	DATE	BY	CHG.	APD. BY	DATE	CUSTOMER	MACHS ENG. FILE		
SCALE				PART NAME			PART NO.		
DO NOT SCALE				ENCLOSURE			RJW1816HPL		