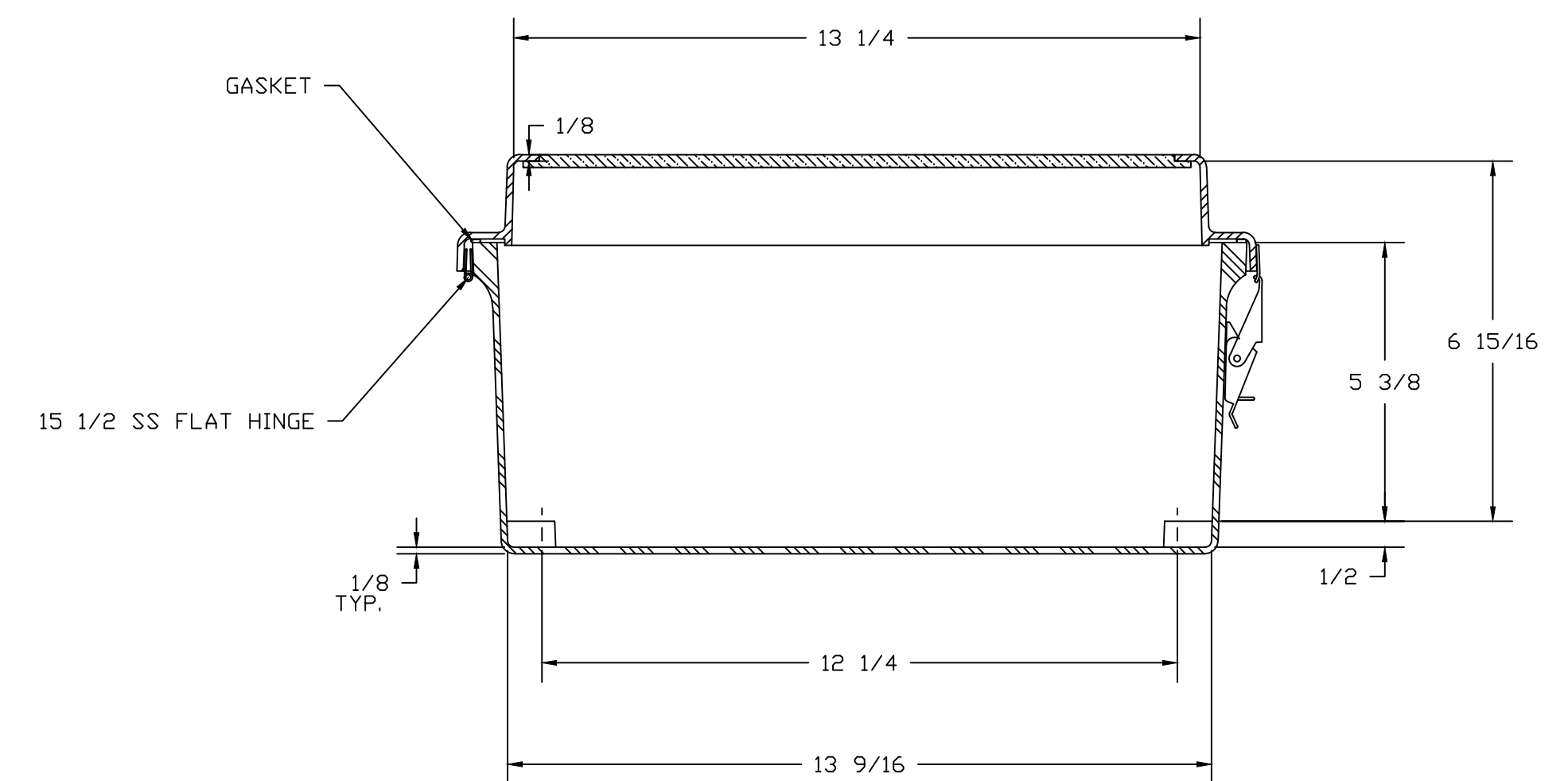
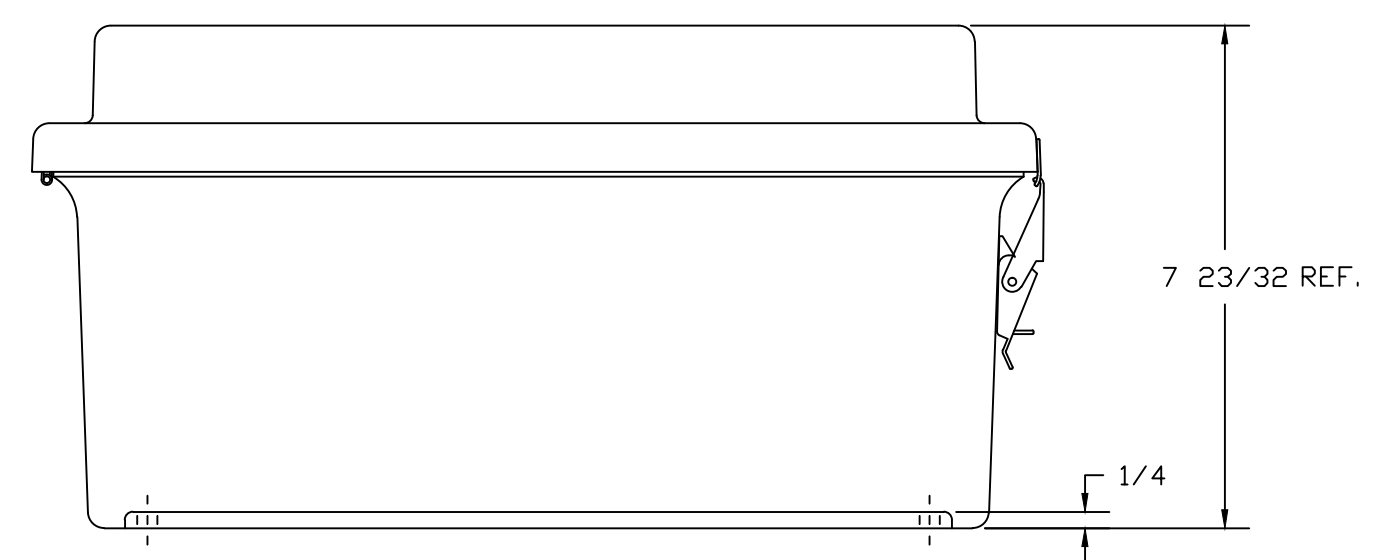



SECTION B-B



SECTION A-A

NOTES:

NEMA 4X		TOLERANCES UNLESS SPECIFIED		DECIMAL ± .010	FRACTIONAL ± 1/32
MATERIAL		DR. BY	DATE	 BELDING, MICHIGAN 48809	
COLD R. GLACIER GRAY RR3013		SH	8/20/91		
F.R. POLYESTER FIBERGLASS		CHK. BY	DATE	CUSTOMER	
LET.	REVISION RECORD	DATE	BY	CHD.	AutoCAD DWG. FILE
					RJW1614HPL
SCALE		PART NAME		PART NO.	
DO NOT SCALE		ENCLOSURE		RJW1614HPL	