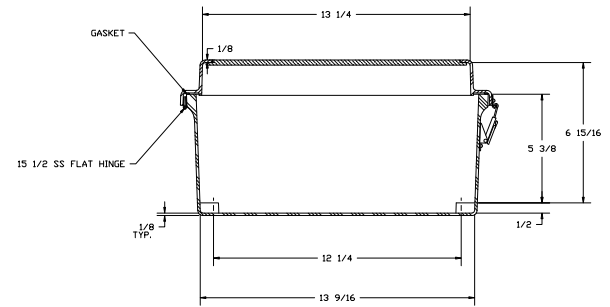
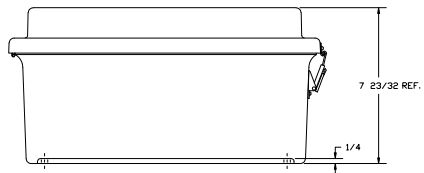



SECTION B-B



SECTION A-A

NOTES										
NEMA 4X					TOLERANCES		DECIMAL	FRACTIONAL		
COLOR GLACIER GRAY BR1013					UNLESS SPECIFIED		± .010	± 1/32		
MATERIAL			DR. BY		DATE		 <b>STAHLIN ENCLOSURES</b> <small>SYSTEMS OF RIGID POLYMER</small>			
F.R. POLYESTER FIBERGLASS			SH		8/20/01					
REVISION RECORD			DATE		BY		CHK. BY		DATE	
APD. BY			DATE		CUSTOMER		PART NO.			
SCALE			PART NAME		ENCLOSURE		PART NO. RJW1614HLL			
DO NOT SCALE			PART NAME		ENCLOSURE		PART NO. RJW1614HLL			