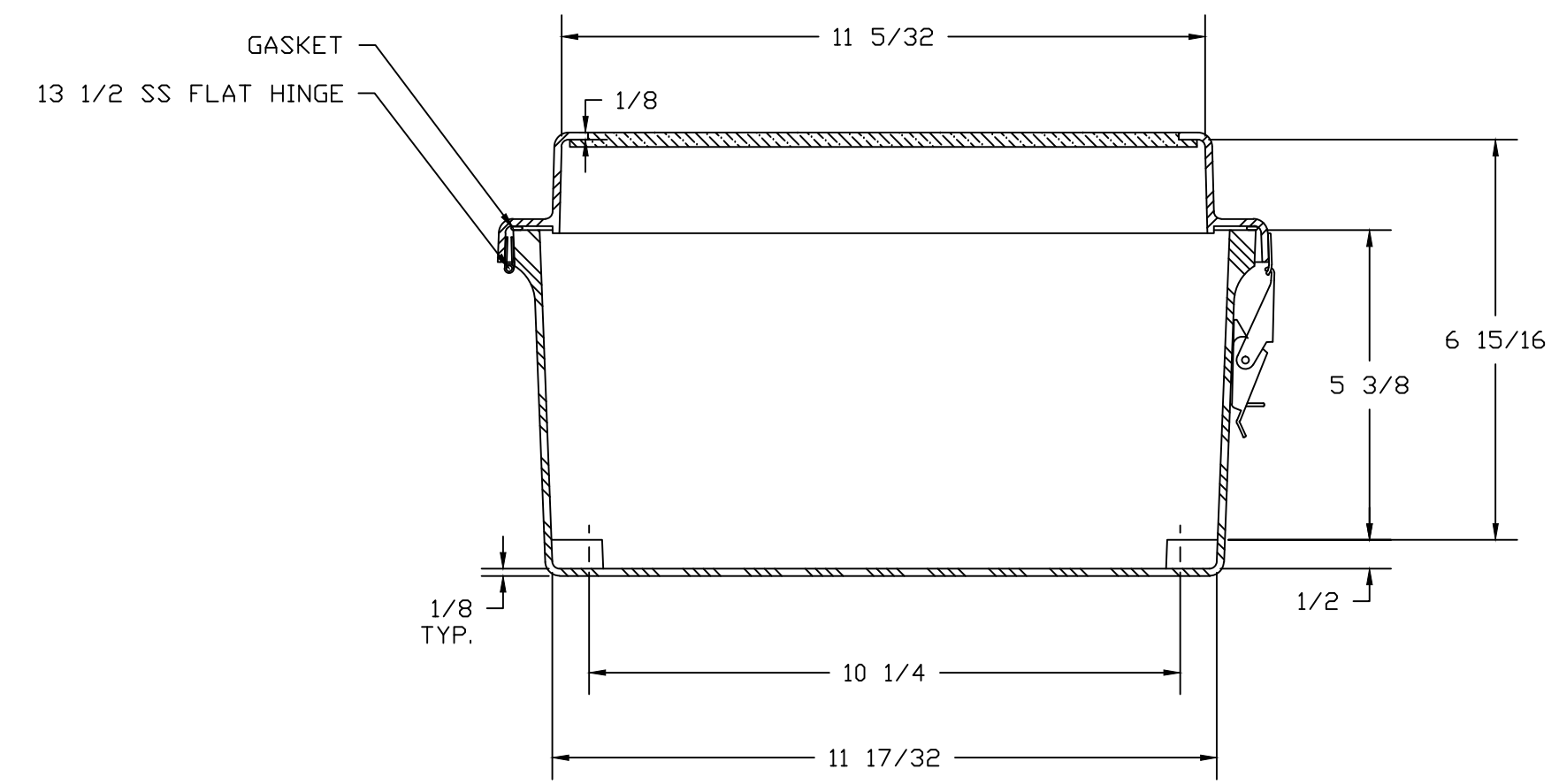
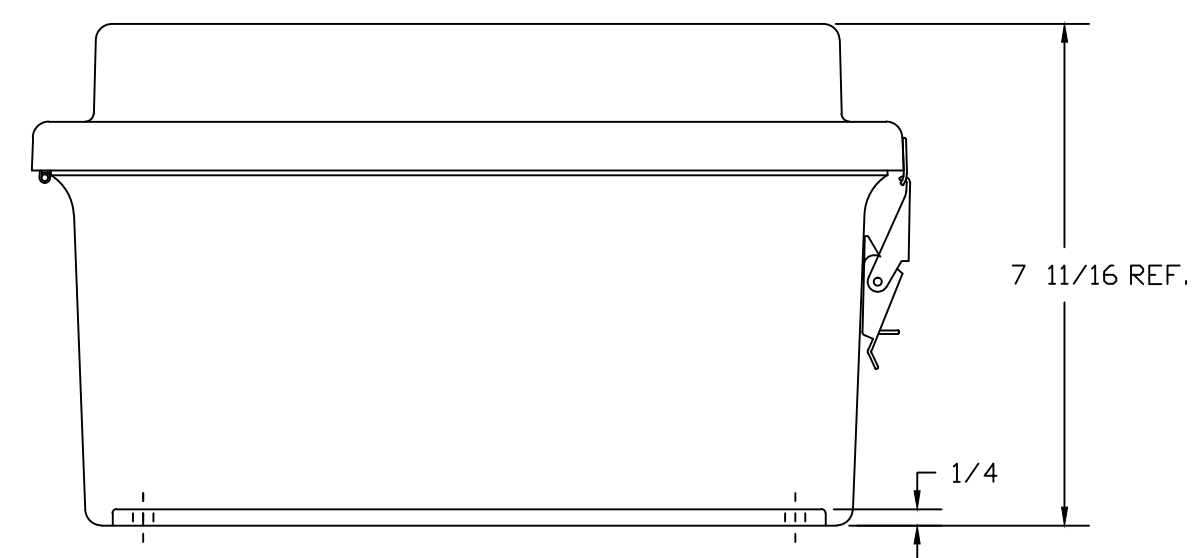



SECTION B-B



SECTION A-A

NOTES:		NEMA 4X		TOLERANCES UNLESS SPECIFIED		DECIMAL ± .010	FRACTIONAL ± 1/32
MATERIAL		COLOR GLACIER GRAY RR1013		DR. BY SH	DATE 8/19/91	 BELDING, MICHIGAN 48809 AutoCAD DWG. FILE RW1412HPL	
LET.	REVISION RECORD	DATE	BY	CHK. BY	DATE		
				APD. BY	DATE	CUSTOMER	
				SCALE DO NOT SCALE		PART NAME ENCLOSURE	PART NO. RJW1412HPL