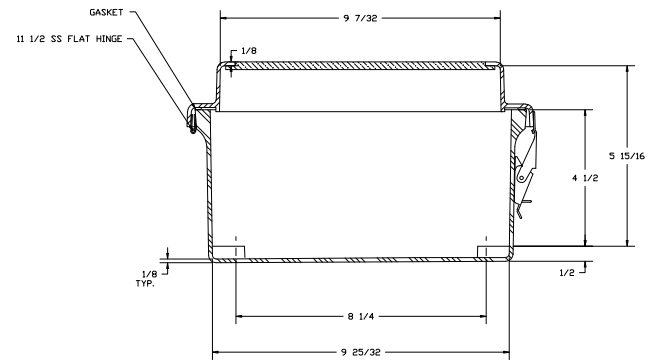
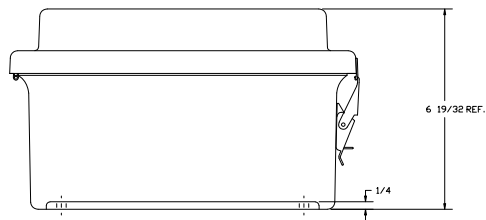




SECTION B-B



SECTION A-A

NOTES									
NEMA 4X						TOLERANCES UNLESS SPECIFIED		DECIMAL	FRACTIONAL
COLOR: GLACIER GRAY RR1013								$\pm .010$	$\pm 1/32$
MATERIAL: F.R. POLYESTER FIBERGLASS				DR. BY: SH	DATE: 8/15/91				
REVISION RECORD				DATE	BY				
LET.									
				APP. BY:	DATE:	CUSTOMER:		PART NO.:	
				SCALE: DO NOT SCALE		PART NAME: ENCLOSURE		PART NO.: R/JW1210#PL	