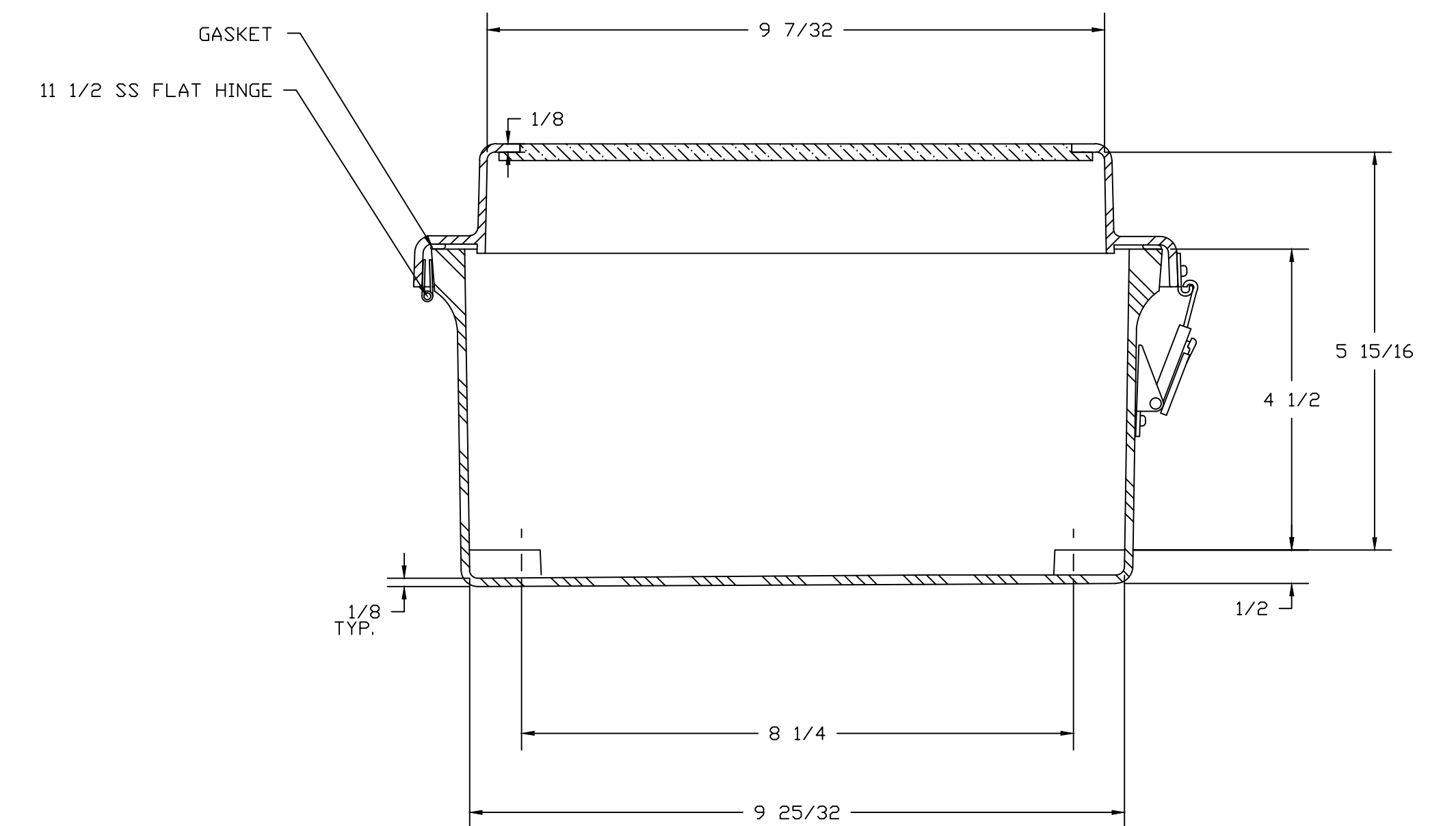
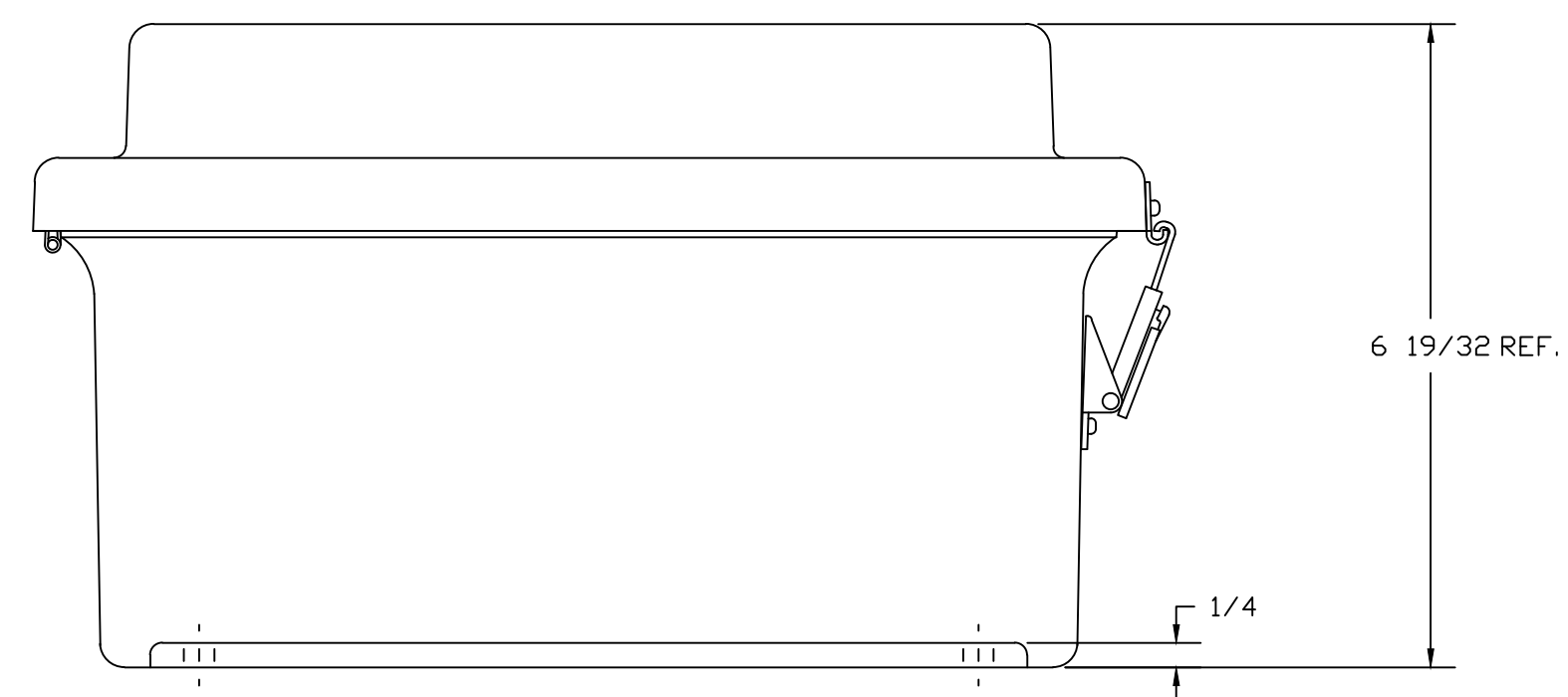



SECTION B-B



SECTION A-A

NOTES:										
NEMA 4X					TOLERANCES UNLESS SPECIFIED		DECIMAL ± .010	FRACTIONAL ± 1/32		
COLOR GLACIER GRAY RR1013										
MATERIAL F.R. POLYESTER FIBERGLASS					DR. BY SH	DATE 8/15/91	 BELDING, MICHIGAN 48809			
REVISION RECORD					CHK. BY	DATE			CUSTOMER	
LET.	DATE	BY	CHD.	APD. BY	DATE	SCALE DO NOT SCALE		PART NAME ENCLOSURE		PART NO. RJW1210HLL