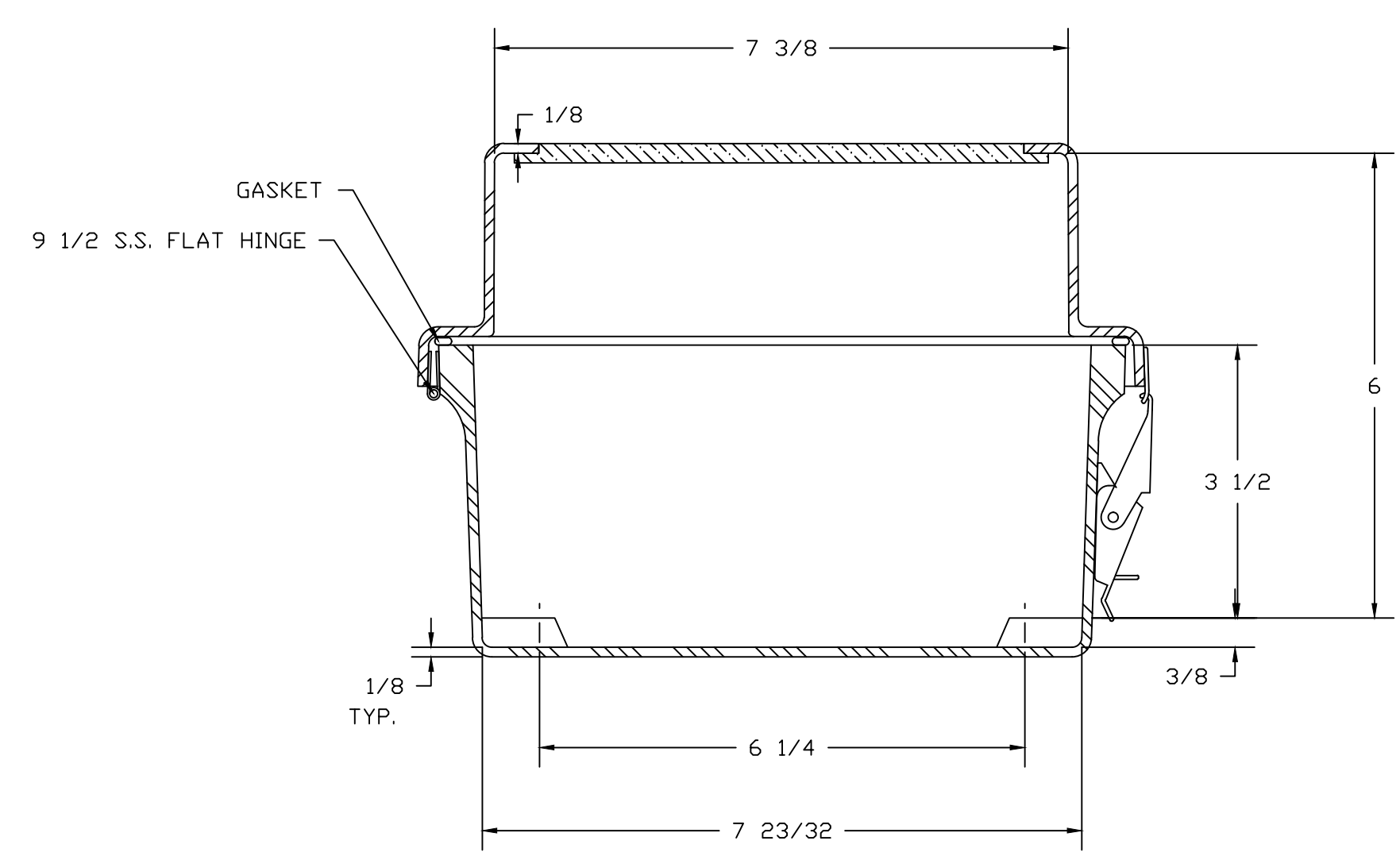
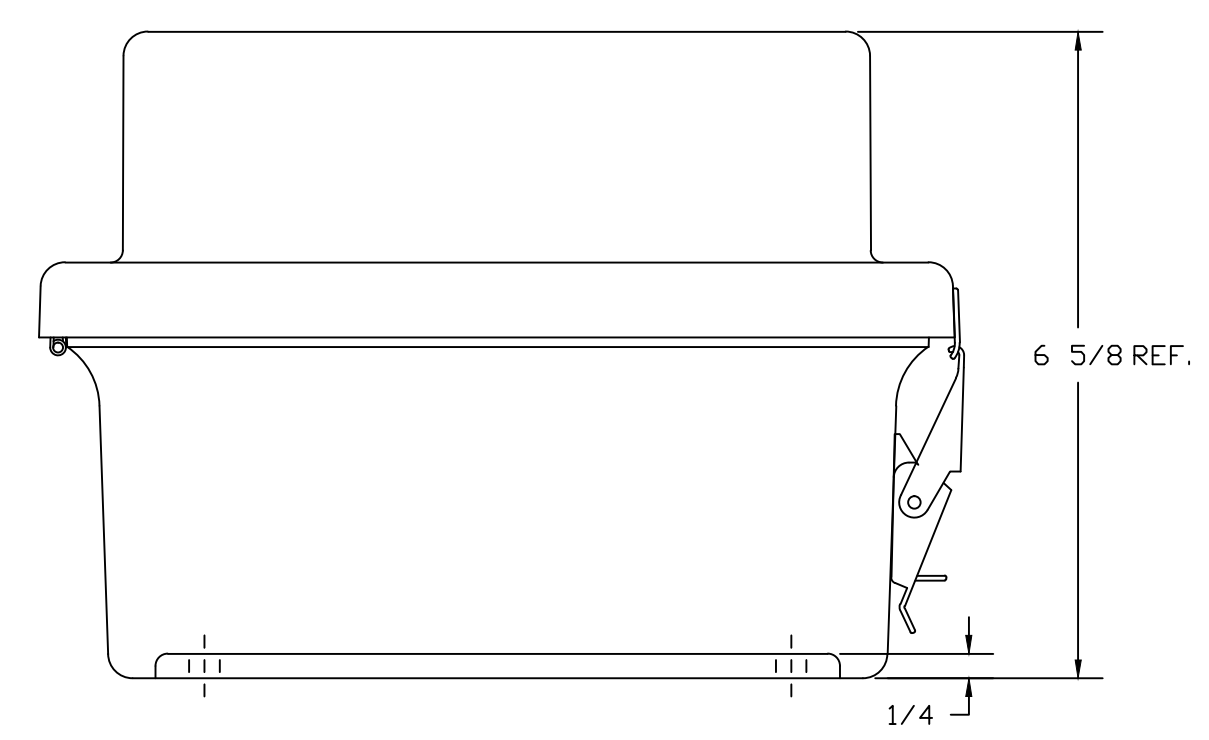



SECTION B-B



SECTION A-A

NOTES:

NEMA 4X				TOLERANCES UNLESS SPECIFIED		DECIMAL ± .010	FRACTIONAL ± 1/32
COLD R. GLACIER GRAY RR1013							
MATERIAL F.R. POLYESTER FIBERGLASS				DR. BY SH	DATE 8/22/91	 BELDING, MICHIGAN 48809	
LET.	REVISION RECORD	DATE	BY	CHK. BY	DATE		
				APD. BY	DATE	CUSTOMER	
				SCALE DO NOT SCALE	PART NAME ENCLOSURE		PART NO. RJW1008HPL

AutoCAD DWG. FILE RW1008HPL