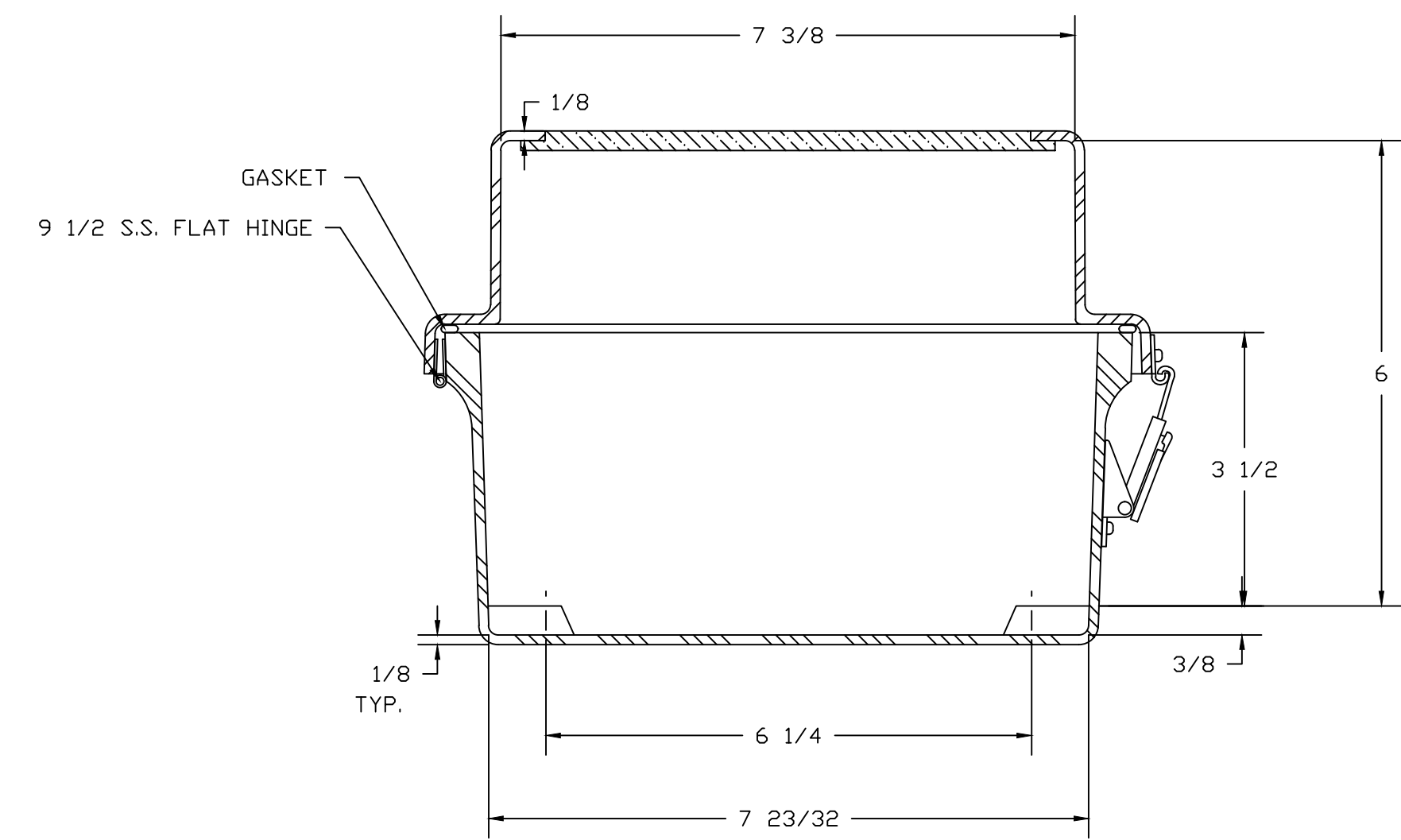
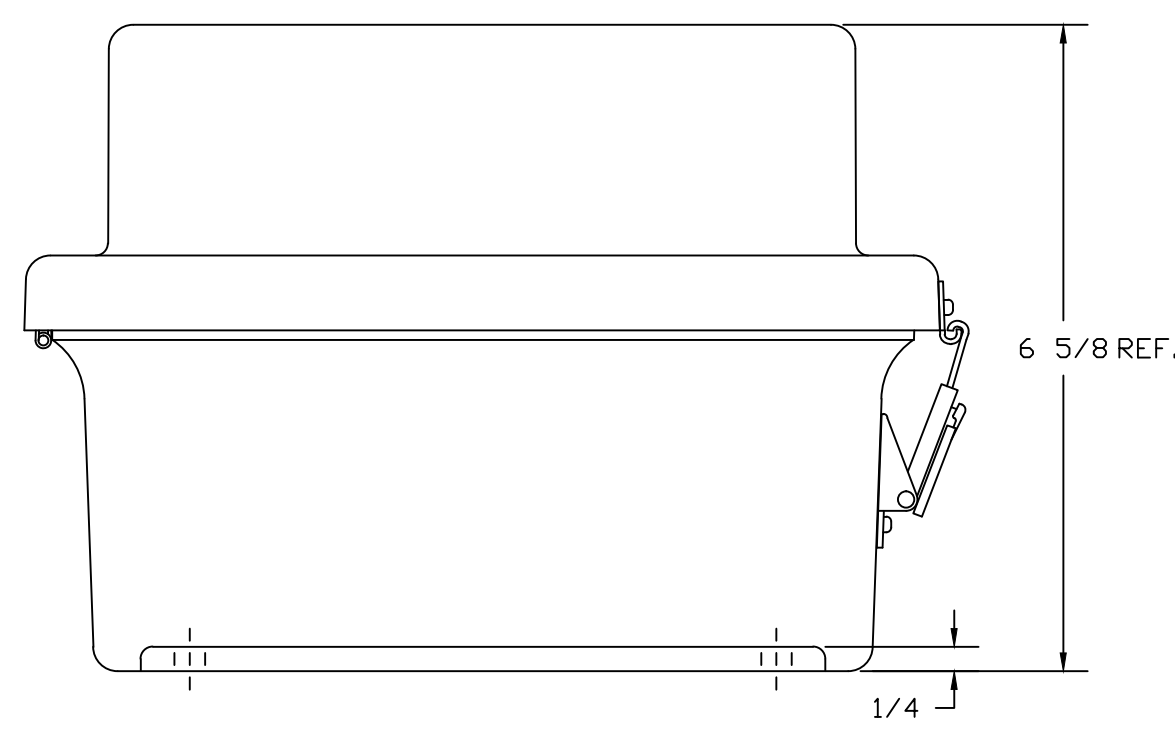



SECTION B-B



SECTION A-A

NOTES:										
NEMA 4X					TOLERANCES UNLESS SPECIFIED		DECIMAL ± .010	FRACTIONAL ± 1/32		
COLOR: GLACIER GRAY RR1013										
MATERIAL: F.R. POLYESTER FIBERGLASS					DR. BY: SH	DATE: 8/22/91	 BELDING, MICHIGAN 48809		AutoCAD DWG. FILE	
REVISION RECORD					CHK. BY:	DATE:			CUSTOMER	
LET.	DATE	BY	CHD.	APD. BY	DATE	SCALE: DO NOT SCALE		PART NAME: ENCLOSURE		PART NO. RJW1008HLL