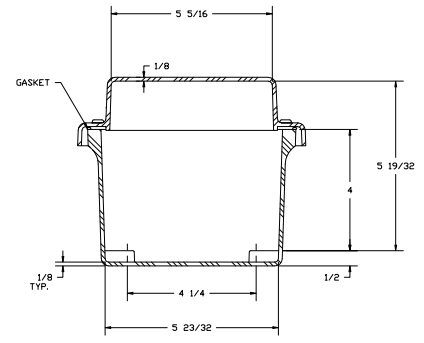
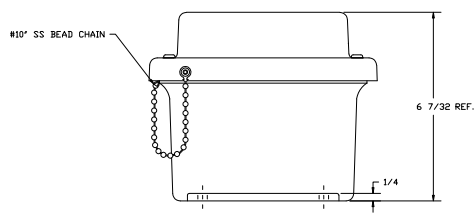


SECTION B-B



SECTION A-A

NOTES

NEMA 4X		TOLERANCES UNLESS SPECIFIED		DECIMAL	FRACTIONAL
COLOR GLACIER GRAY RR1013				±.010	± 1/32
MATERIAL	F.R. POLYESTER FIBERGLASS	DR. BY	DATE	STAHLIN ENCLOSURES SYSTEMS OF ROBERT INDUSTRIES	
LET.	REVISION RECORD	DATE	BY	CHK. BY	DATE
				APP. BY	DATE
				CUSTOMER	
				PART NAME	ENCLOSURE
				PART NO.	RJ606V
				SCALE	DO NOT SCALE