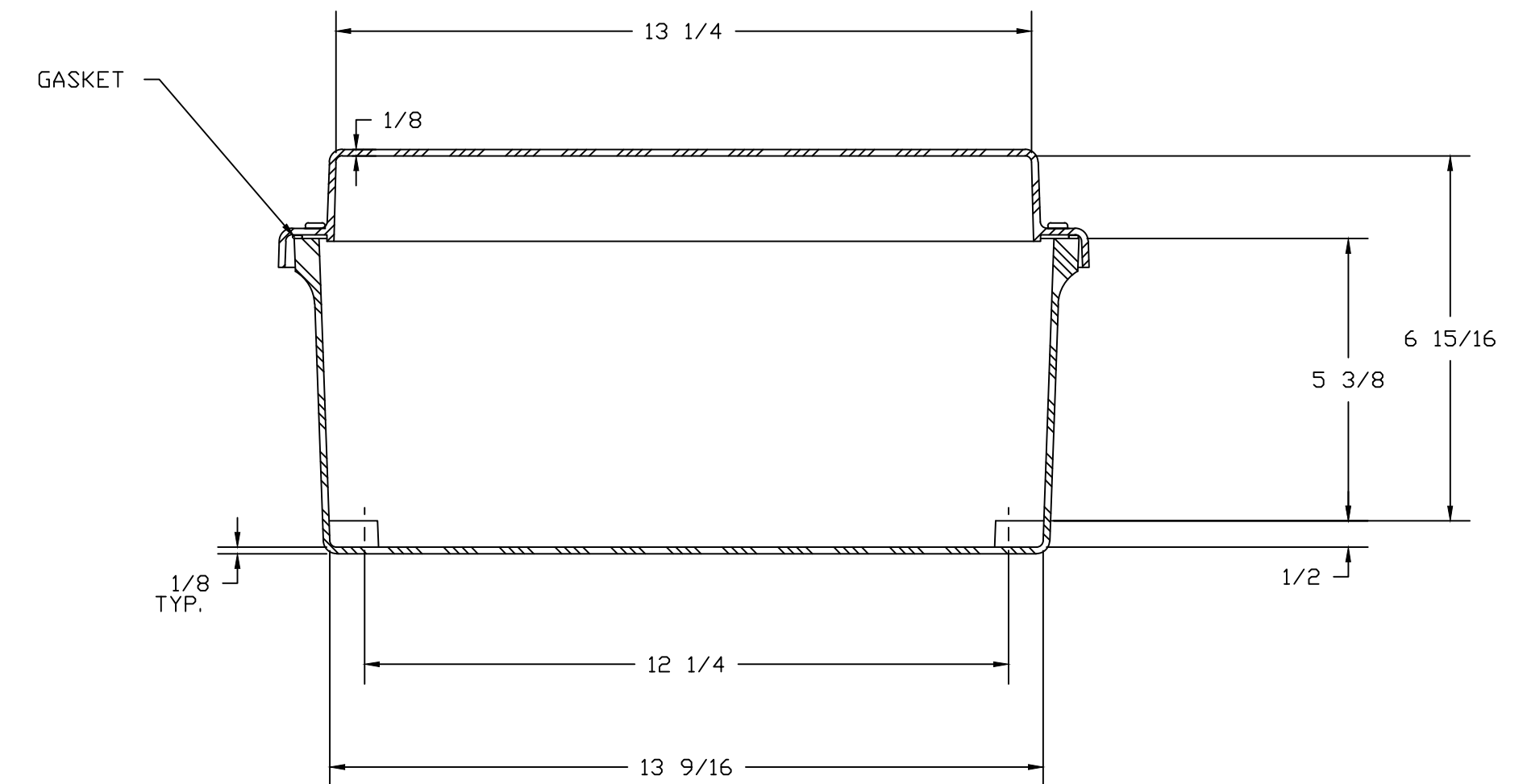
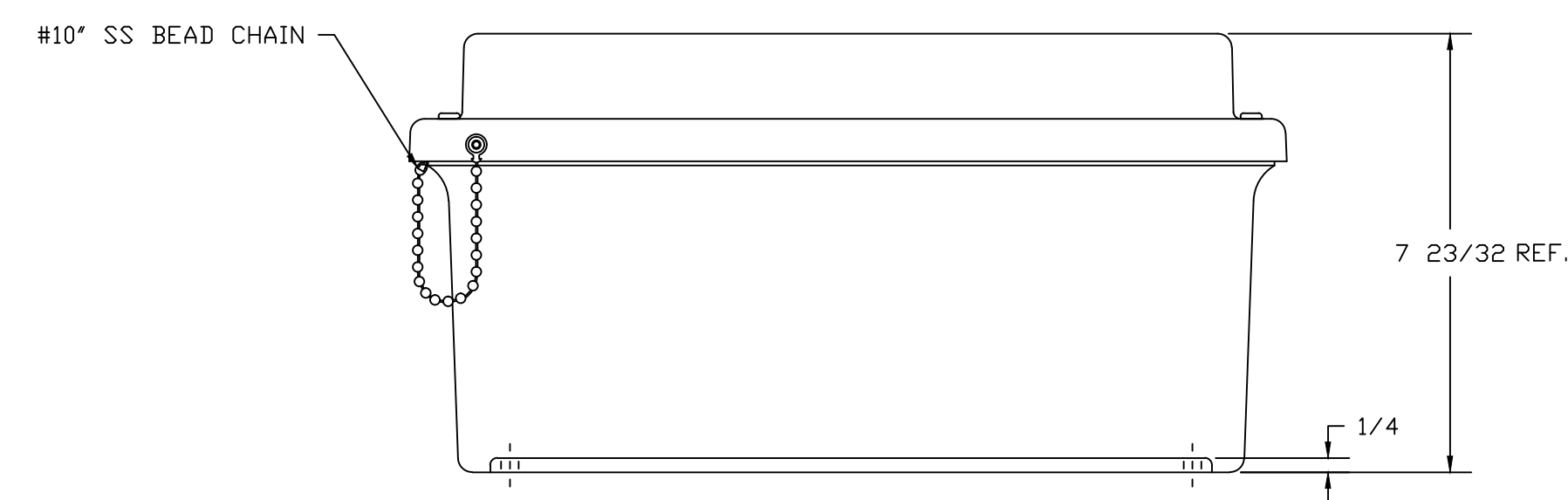



SECTION B-B



SECTION A-A

| NOTES: | | | | | | | | | | |
|------------------------------------|------|----|------|---------|-----------------------------|--------------|--|---------------------|-------------------------|------------------|
| NEMA 4X | | | | | TOLERANCES UNLESS SPECIFIED | | DECIMAL ± .010 | FRACTIONAL ± 1/32 | | |
| COLOR GLACIER GRAY RR1013 | | | | | | | | | | |
| MATERIAL F.R. POLYESTER FIBERGLASS | | | | | DR. BY SH | DATE 6/17/91 |  STAHLIN ENCLOSURES DIVISION OF ROBROY INDUSTRIES | | BELDING, MICHIGAN 48809 | |
| REVISION RECORD | | | | | CHK. BY | DATE | | | CUSTOMER | |
| LET. | DATE | BY | CHD. | APD. BY | DATE | | | SCALE DO NOT SCALE | | PART NO. RJI614W |
| | | | | | | | | PART NAME ENCLOSURE | | PART NO. RJI614W |