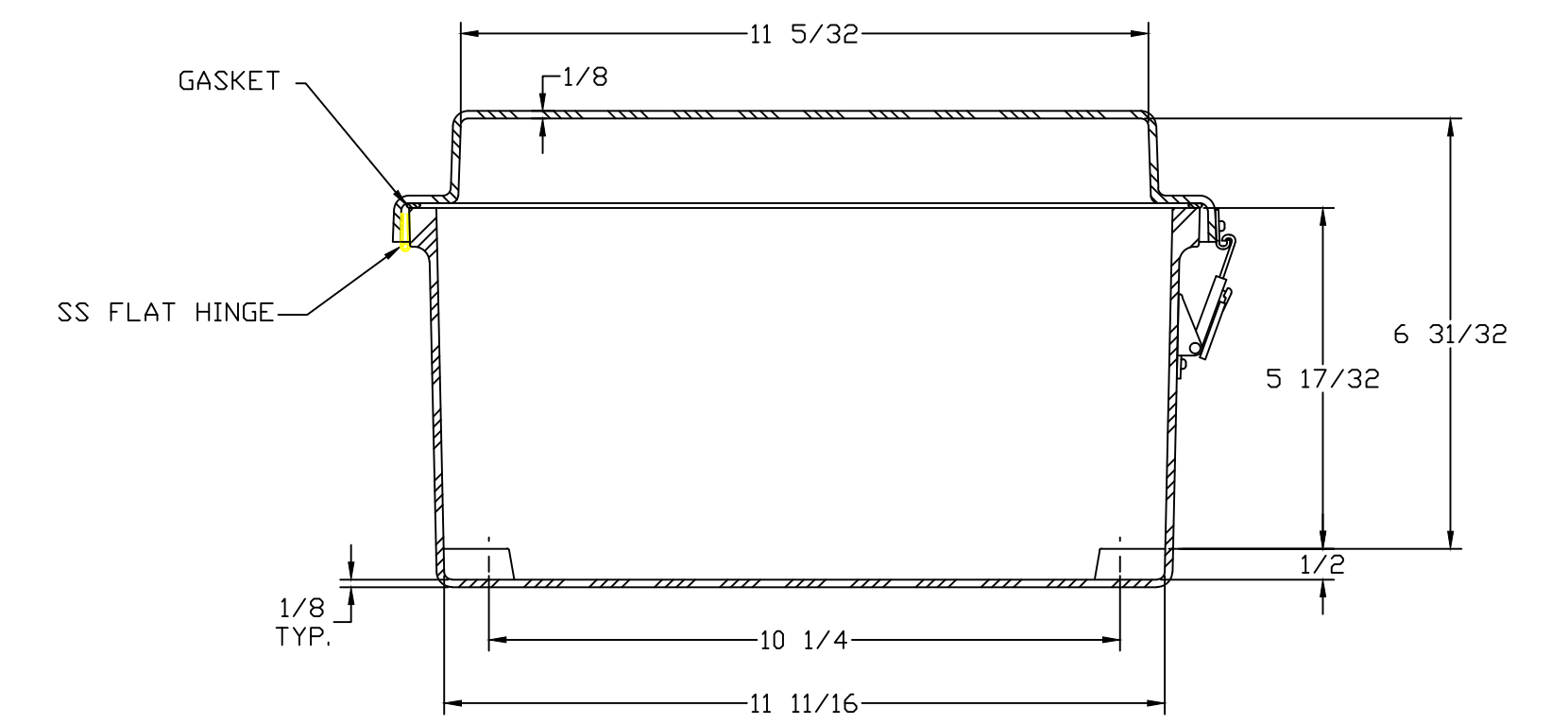
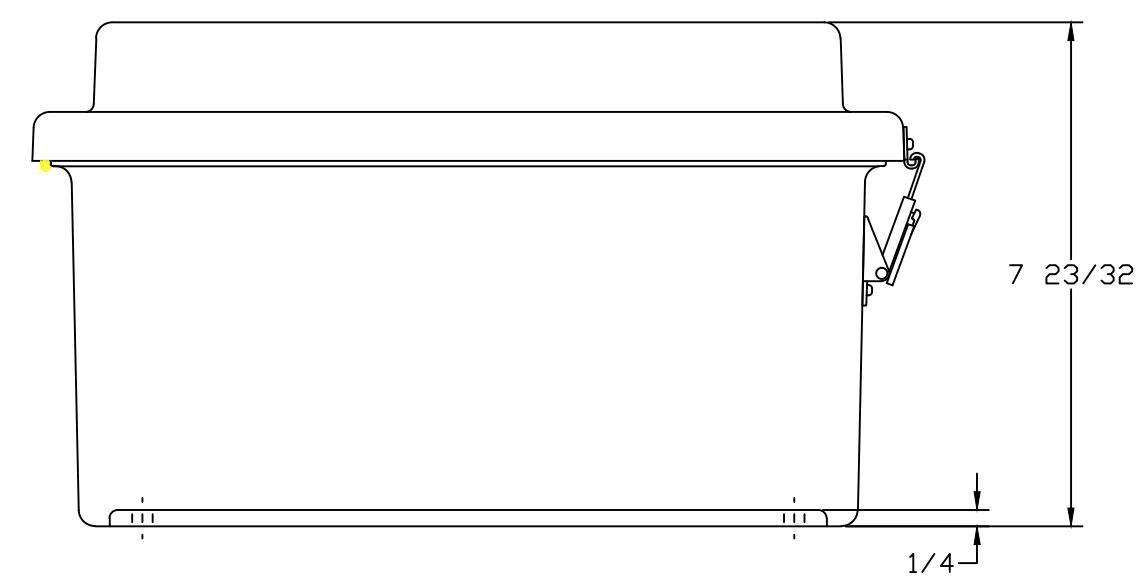



SECTION B-B



SECTION A-A

NOTES:

COLOR: GLACIER GRAY RR3013				TOLERANCES UNLESS SPECIFIED		DECIMAL ± .010	FRACTIONAL ± 1/32
NEMA 1, 3R, 4X, 6P, 12							
MATERIAL		DR. BY	DATE	 BELDING, MICHIGAN 48809 AutoCAD DWG. FILE RJ1212HLL			
F.R. POLYESTER FIBERGLASS		ZJB	7/3/04				
LET.	REVISION RECORD	DATE	BY	CHK. BY	DATE		
				APD. BY	DATE	CUSTOMER	
				SCALE		PART NAME	
				DO NOT SCALE		ENCLOSURE	
				PART NO.		RJ1212HLL	