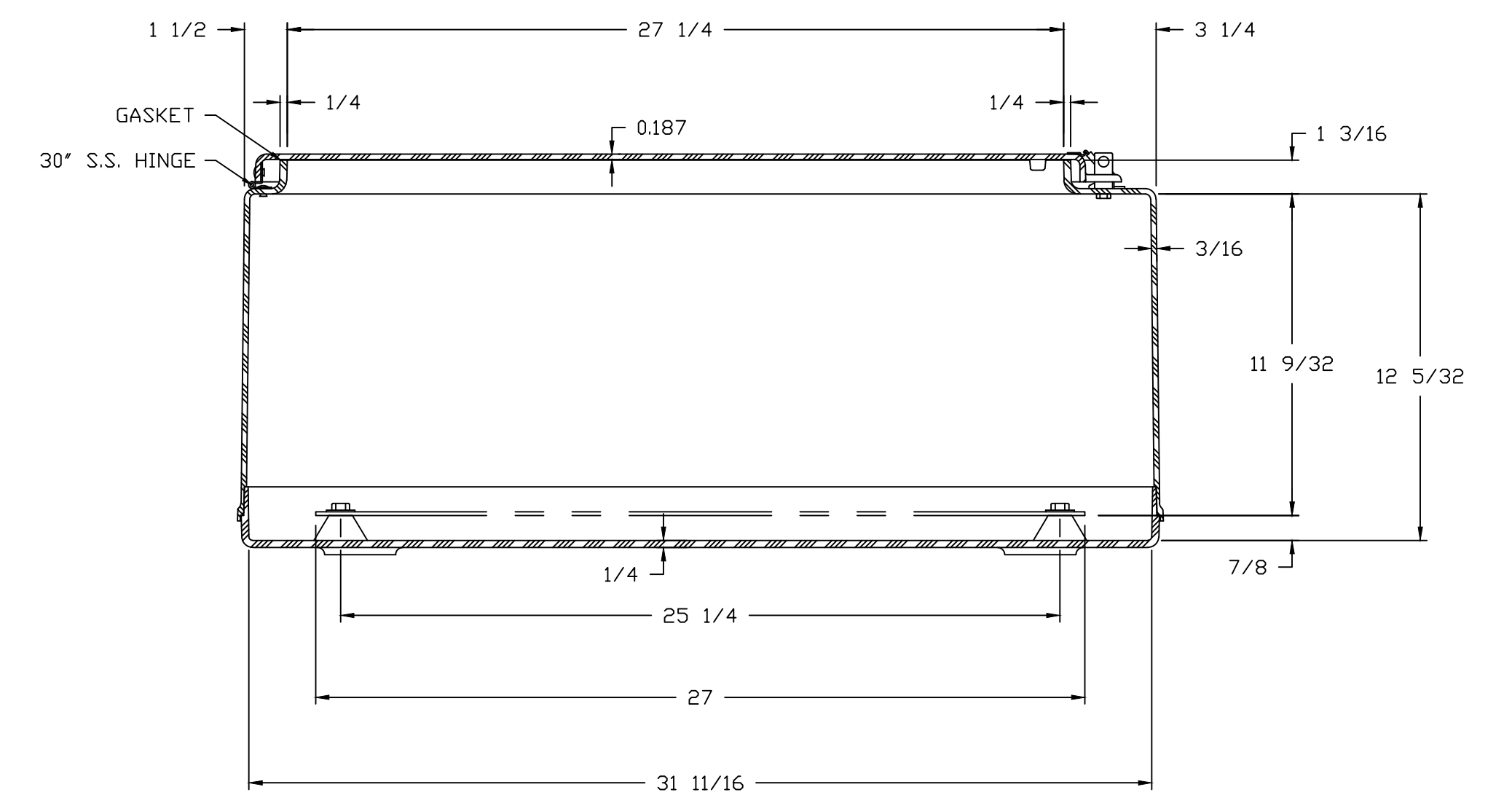
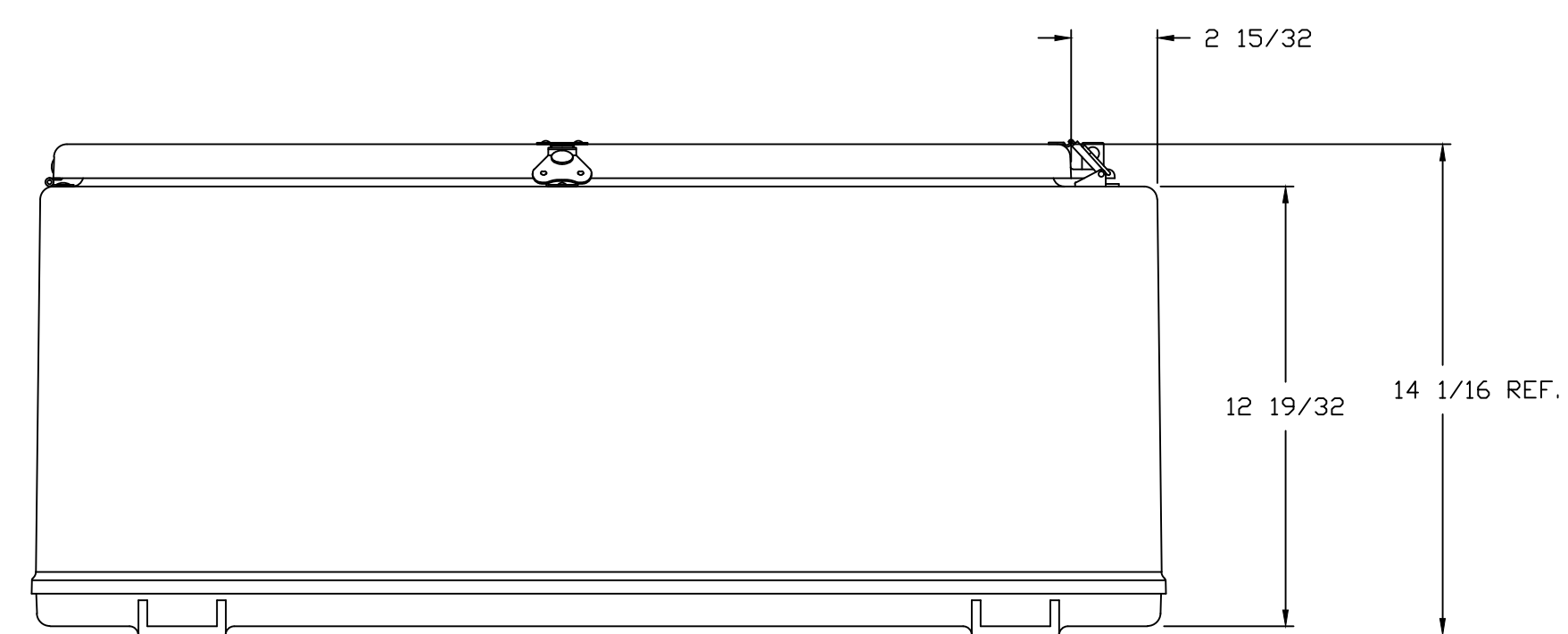



SECTION B-B



SECTION A-A

NOTES:

COLOR GLACIER GRAY RR1013						TOLERANCES UNLESS SPECIFIED		DECIMAL ± .010	FRACTIONAL ± 1/32
NEMA 4X									
MATERIAL F.R. POLYESTER FIBERGLASS				DR. BY SH	DATE 05/14/92	 STAHLIN ENCLOSURES DIVISION OF ROBROY INDUSTRIES BELDING, MICHIGAN 48809			
LET.	REVISION RECORD	DATE	BY	CHK. BY	DATE				
				APD. BY	DATE	CUSTOMER		AutoCAD DWG. FILE N363012HWT	
SCALE DO NOT SCALE						PART NAME ENCLOSURE		PART NO. N363012HWT	