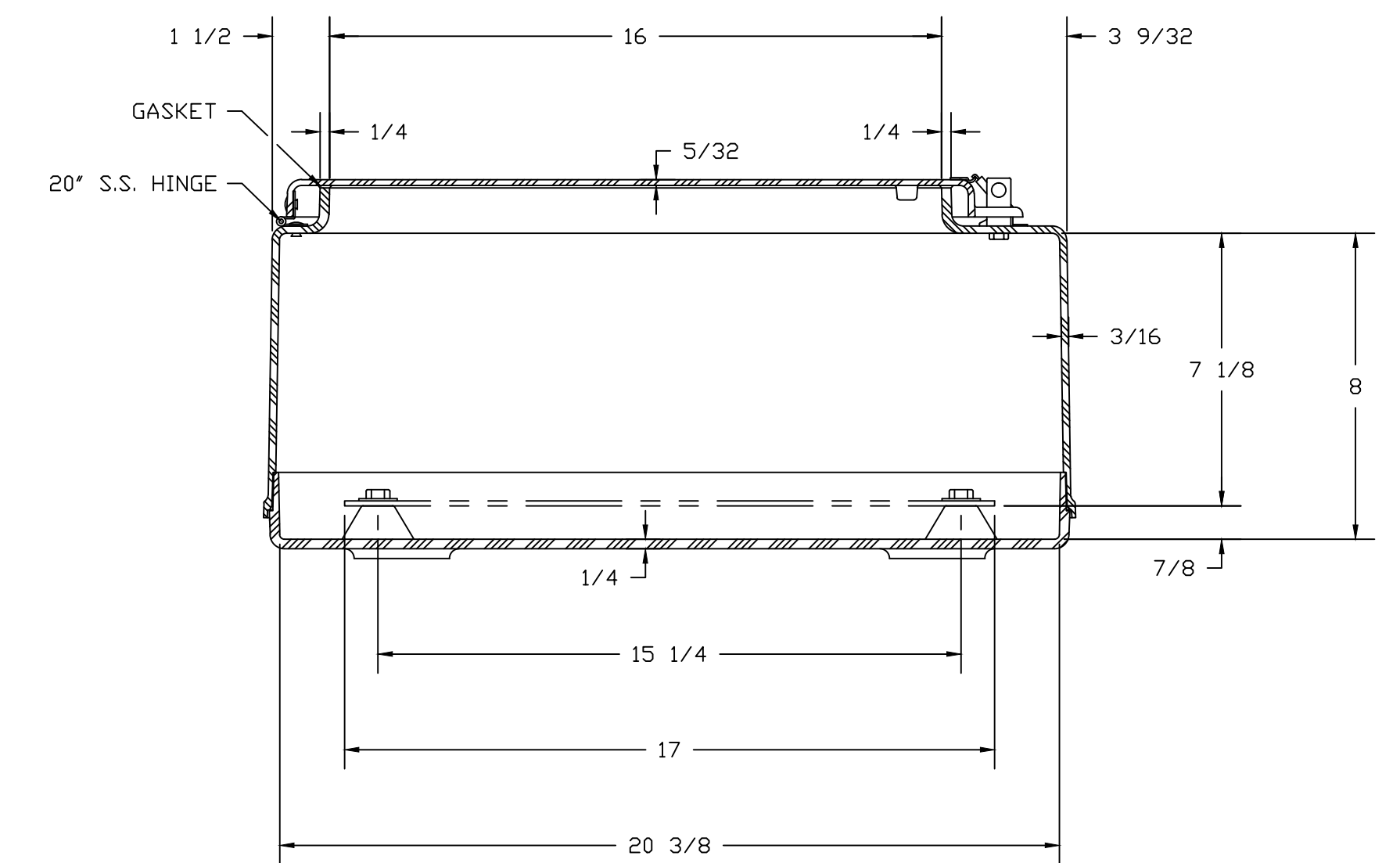
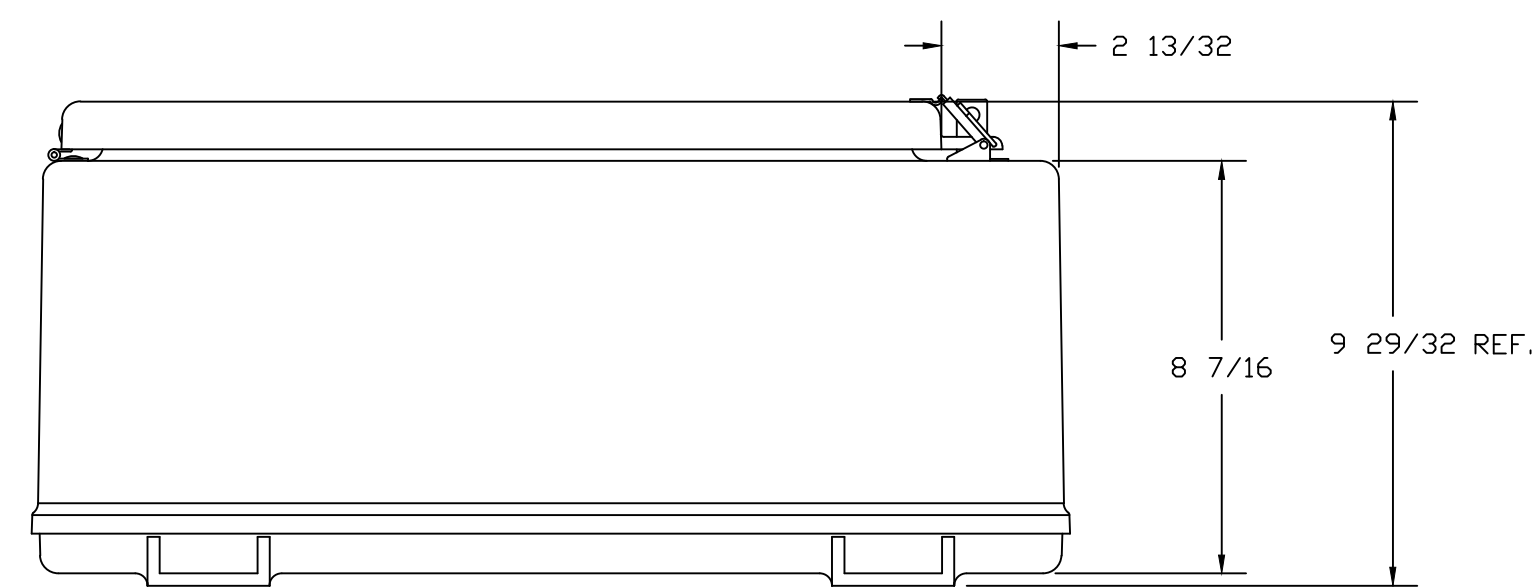



SECTION B-B



SECTION A-A

NEMA 12		TOLERANCES UNLESS SPECIFIED		DECIMAL ± .010	FRACTIONAL ± 1/32
COLD GLACIER GRAY RR1013					
MATERIAL	F.R. POLYESTER FIBERGLASS	DR. BY SH	DATE 04/06/92	 BELDING, MICHIGAN 48809	
LET.	REVISION RECORD	DATE	BY		
					AutoCAD DWG FILE N24208
		APD. BY	DATE	CUSTOMER	
		SCALE DD NDT SCALE	PART NAME ENCLOSURE	PART NO. N24208	