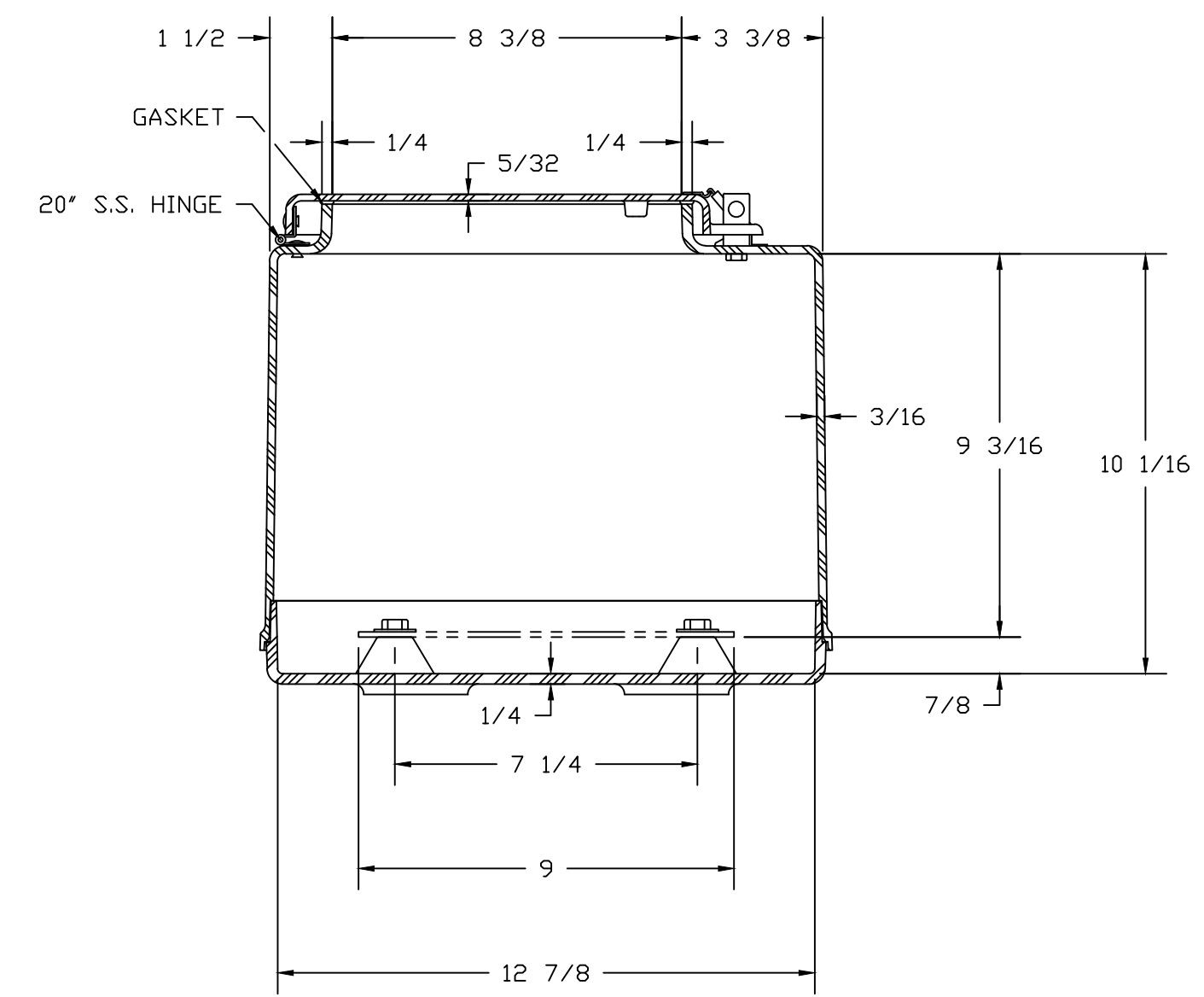
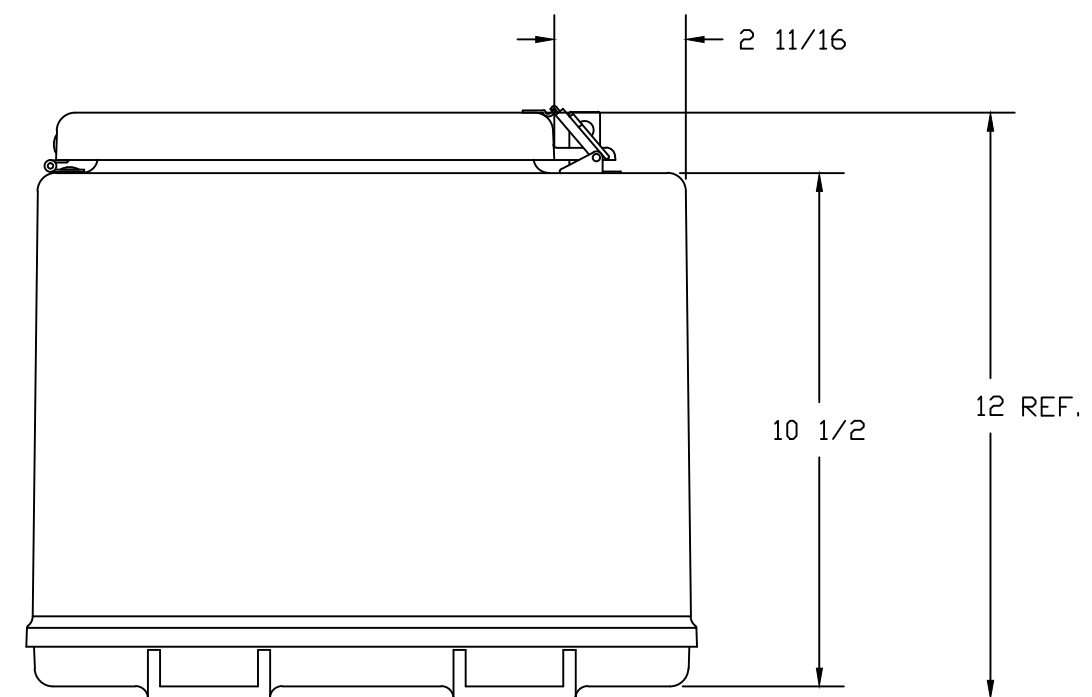


SECTION B-B



SECTION A-A

NOTES:

NEMA 4X		TOLERANCES UNLESS SPECIFIED		DECIMAL ± .010	FRACTIONAL ± 1/32
COLOR: GLACIER GRAY RR1013					
MATERIAL	F.R. POLYESTER FIBERGLASS	DR. BY	GF	DATE	03/26/92
LET.	REVISION RECORD	DATE	BY	CHK. BY	CHD.
				APD. BY	DATE
		SCALE		PART NAME	
		DO NOT SCALE		ENCLOSURE	
				PART NO. N241210HWT	



BELDING, MICHIGAN 48809

AutoCAD DWG FILE N241210HWT