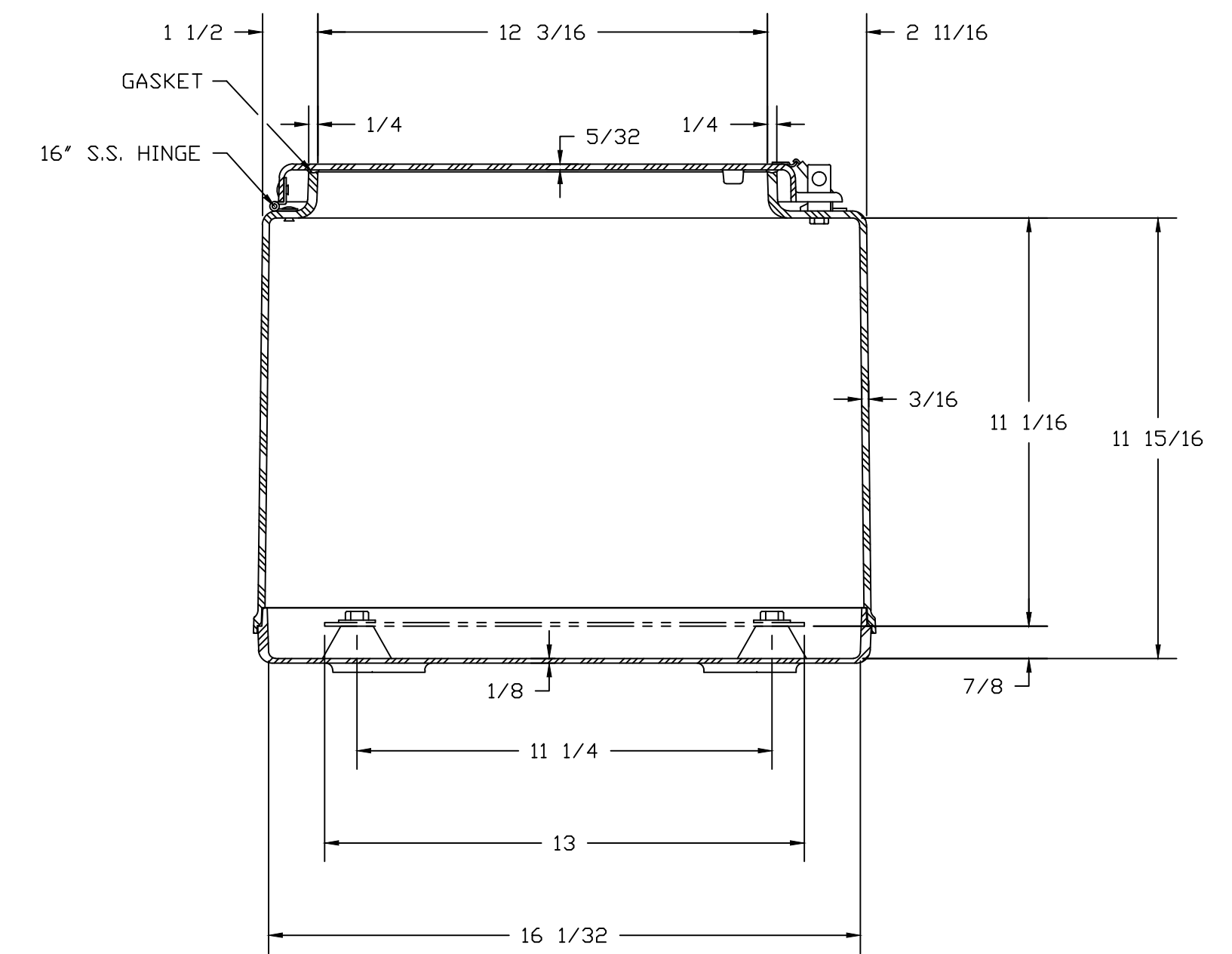
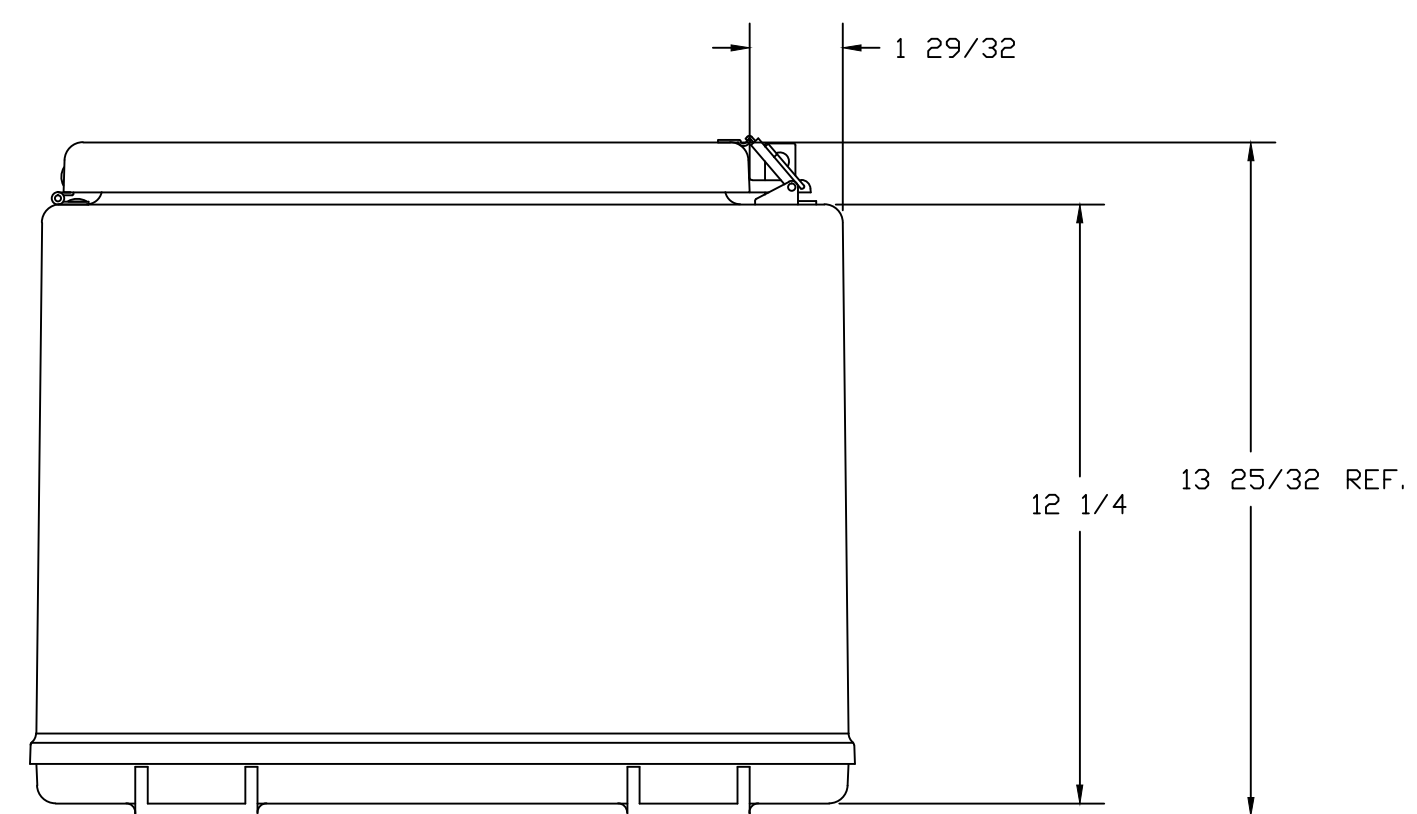


SECTION B-B



SECTION A-A

NOTES:

NEMA 4X		TOLERANCES UNLESS SPECIFIED		DECIMAL ± 0.10	FRACTIONAL ± 1/32
COLD, GLACIER GRAY RR1013					
MATERIAL	F.R. POLYESTER FIBERGLASS	DR. BY	SH	DATE	03/27/92
LET.	REVISION RECORD	DATE	BY	CHK. BY	CHD.
				APD. BY	DATE
				SCALE	DO NOT SCALE
PART NAME ENCLOSURE		PART NO.		N201612HWT	

STAHLIN
ENCLOSURES
DIVISION OF ROBROY INDUSTRIES

BELDING, MICHIGAN 48809

AutoCAD DWG. FILE
201612HWT