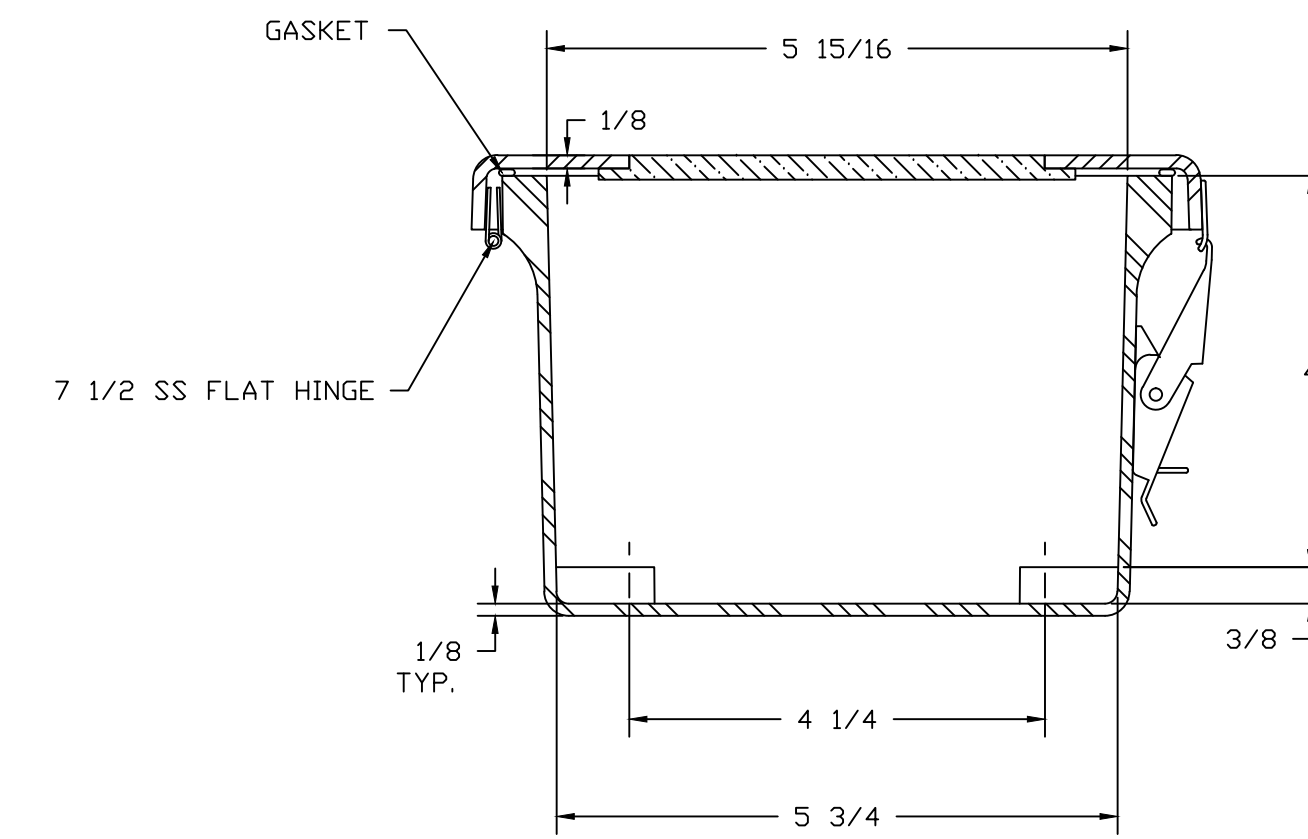
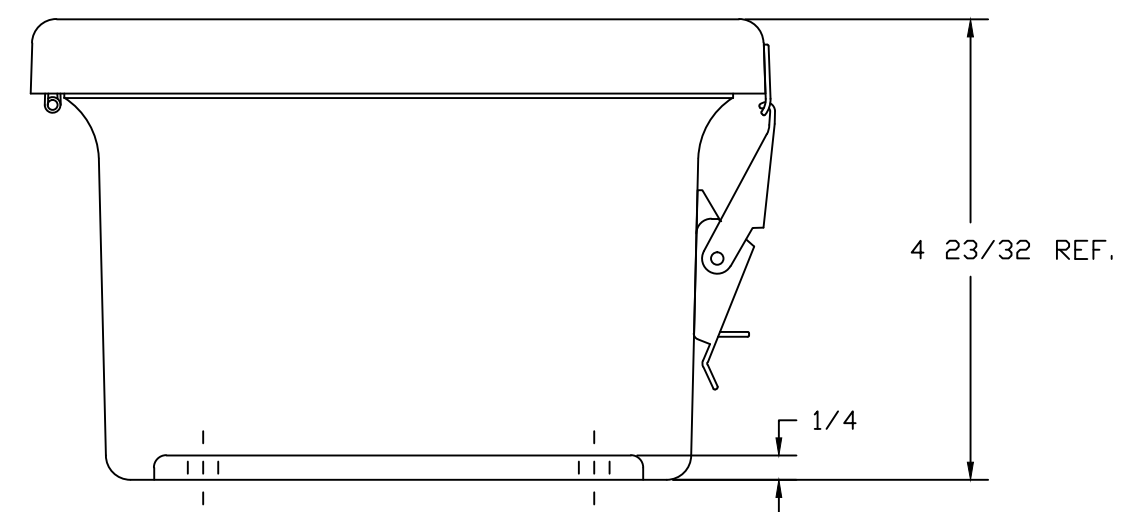



SECTION B-B



SECTION A-A

NOTES:

NEMA 4X		TOLERANCES UNLESS SPECIFIED		DECIMAL ± .010	FRACTIONAL ± 1/32	
COLDR GLACIER GRAY RR1013						
MATERIAL	F.R. POLYESTER FIBERGLASS	DR. BY SH	DATE 8/13/91	 BELDING, MICHIGAN 48809		
LET.	REVISION RECORD	DATE	BY			CHK. BY
				APD. BY	DATE	CUSTOMER
				SCALE	DO NOT SCALE	PART NAME ENCLOSURE
						PART NO. JW806HPL

AutoCAD DWG. FILE