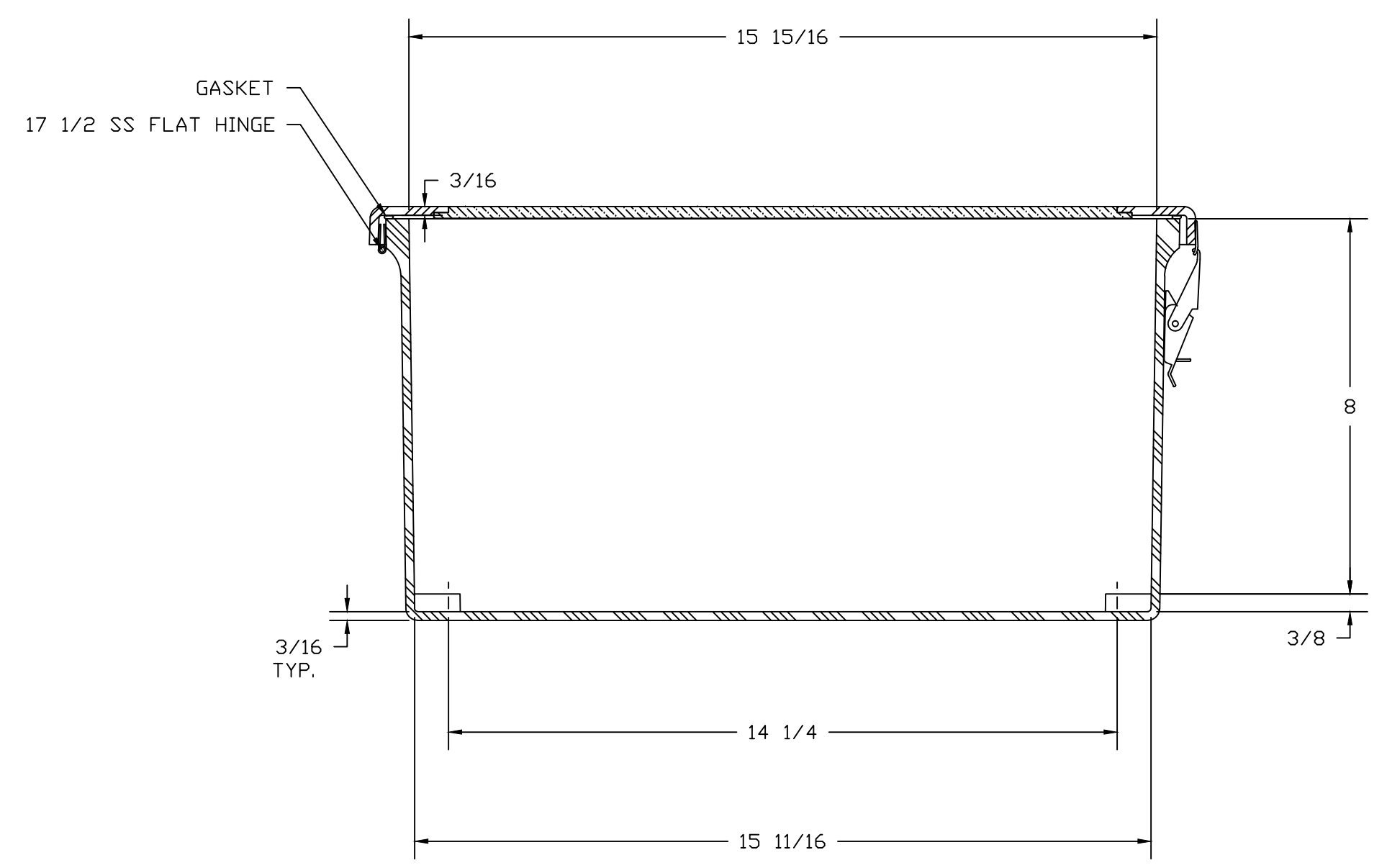
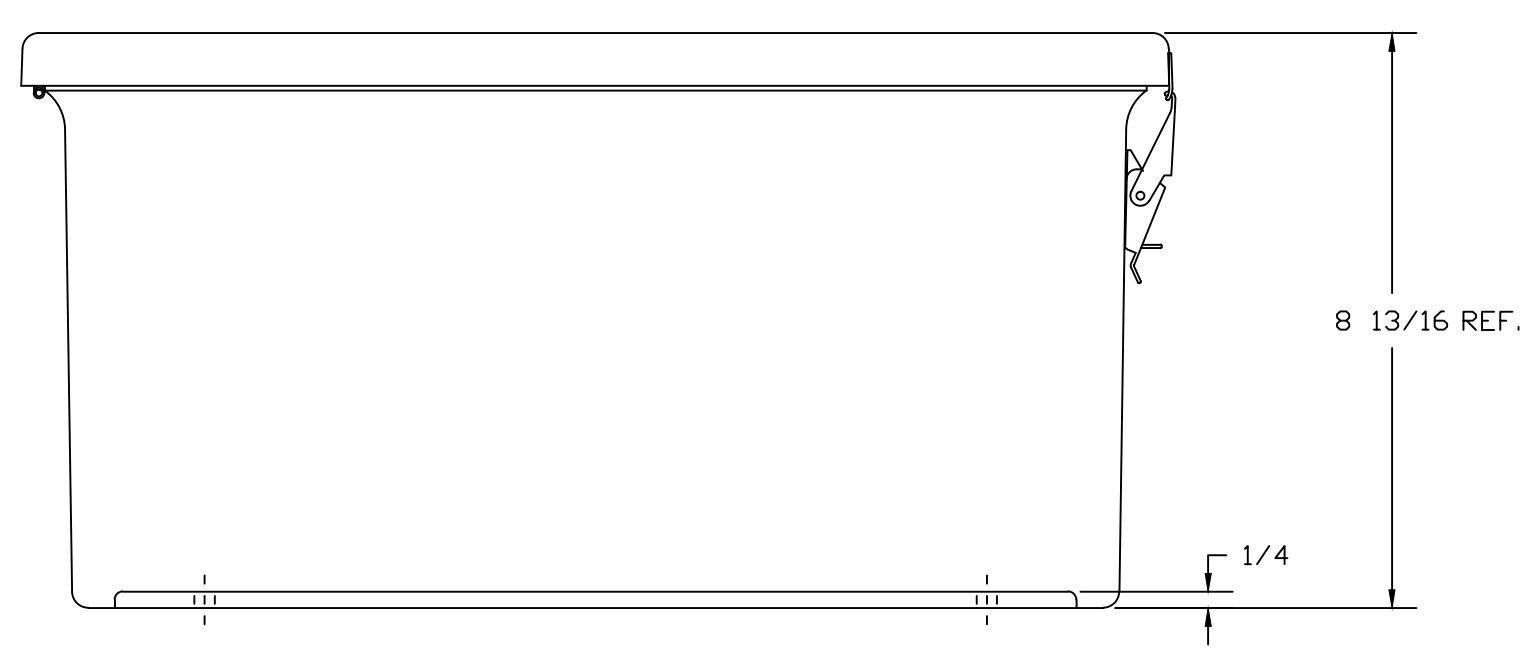


SECTION B-B



SECTION A-A

NOTES:									
NEMA 4X					TOLERANCES UNLESS SPECIFIED		DECIMAL ± .010		FRACTIONAL ± 1/32
COLOR: GLACIER GRAY RR1013									
MATERIAL: F.R. POLYESTER FIBERGLASS					DR. BY: SH		DATE: 8/20/91		 DIVISION OF ROBROY INDUSTRIES
REVISION RECORD					CHK. BY:		DATE:		
					APD. BY:		DATE:		CUSTOMER
					SCALE: DO NOT SCALE		PART NAME: ENCLOSURE		PART NO.: JW1816HPL

BELDING, MICHIGAN 48809

AutoCAD DWG. FILE JW1816HPL