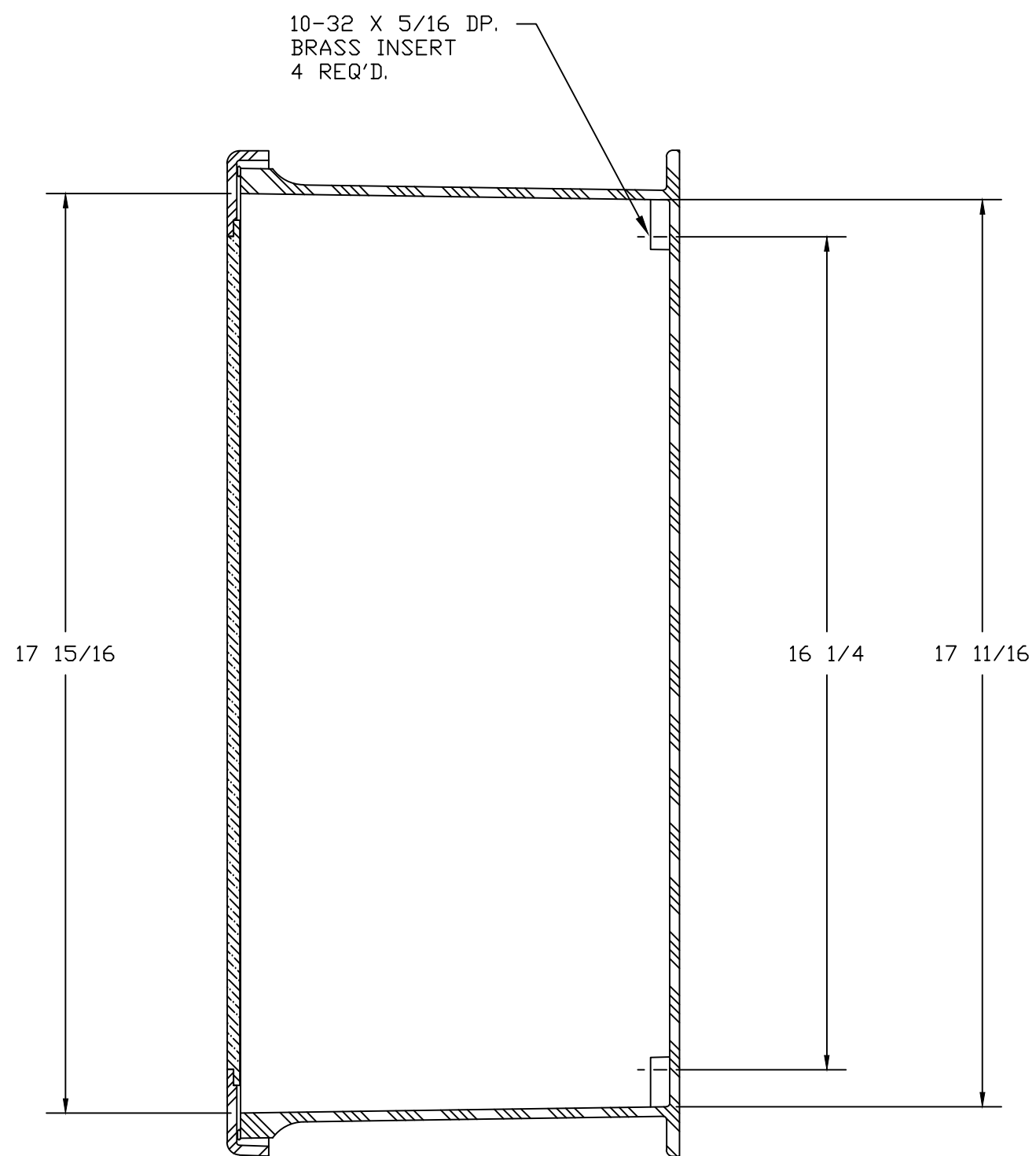
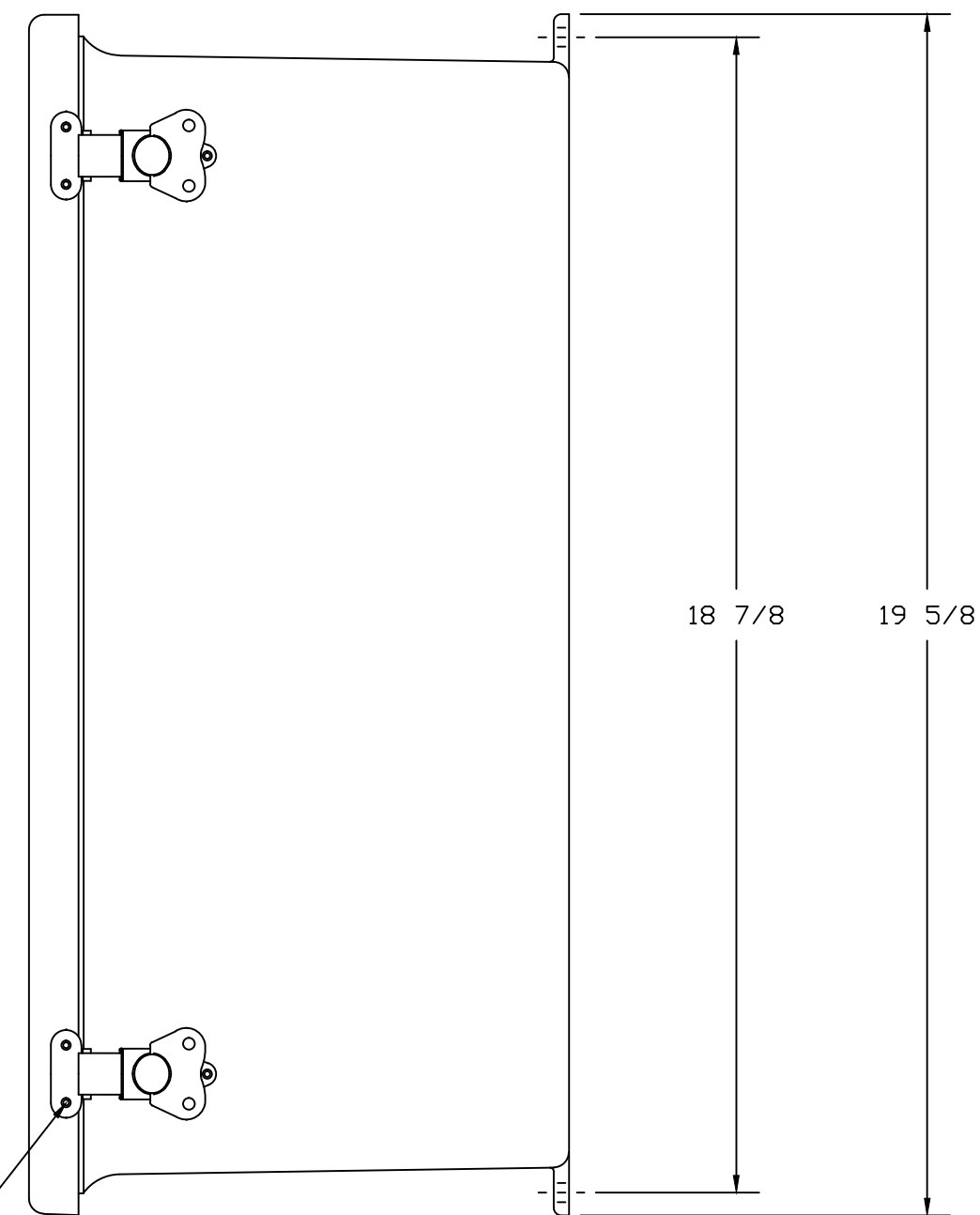


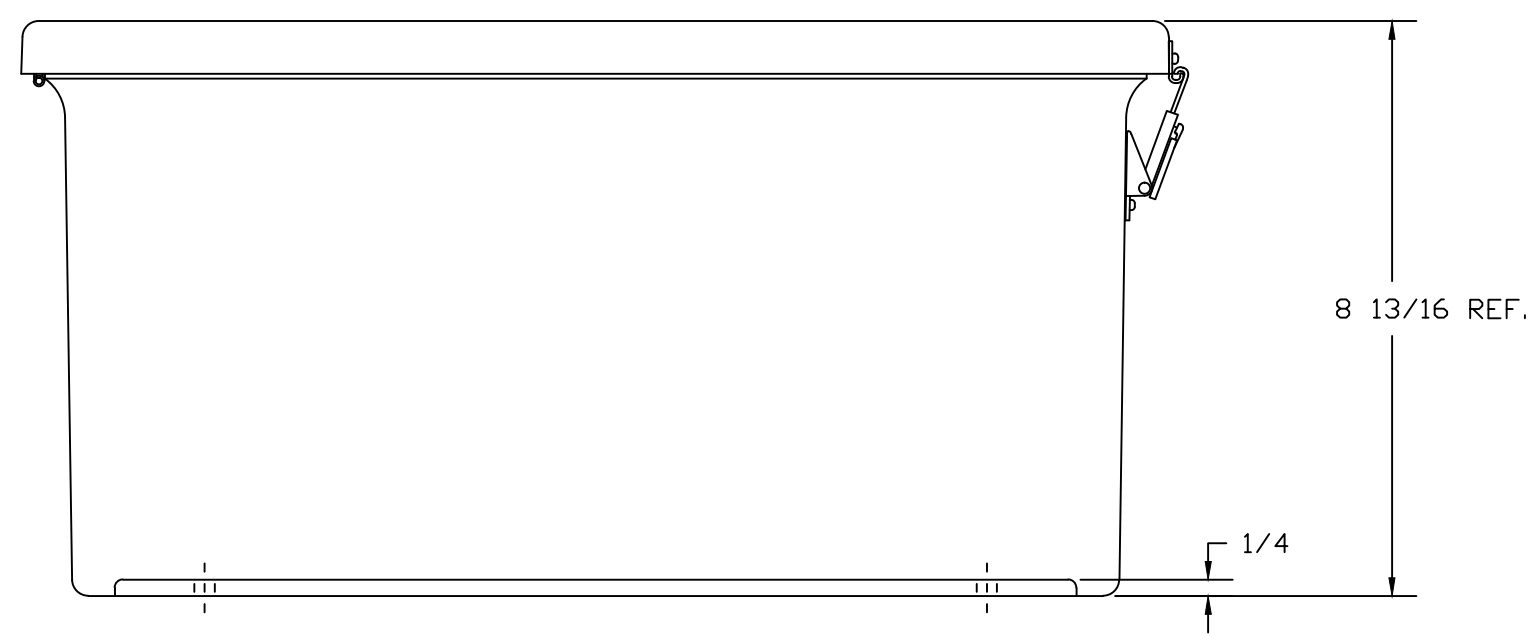
$\phi 5/16$   
R1/8  
(TYP. 4 PLCS.)

FLUSH WINDOW

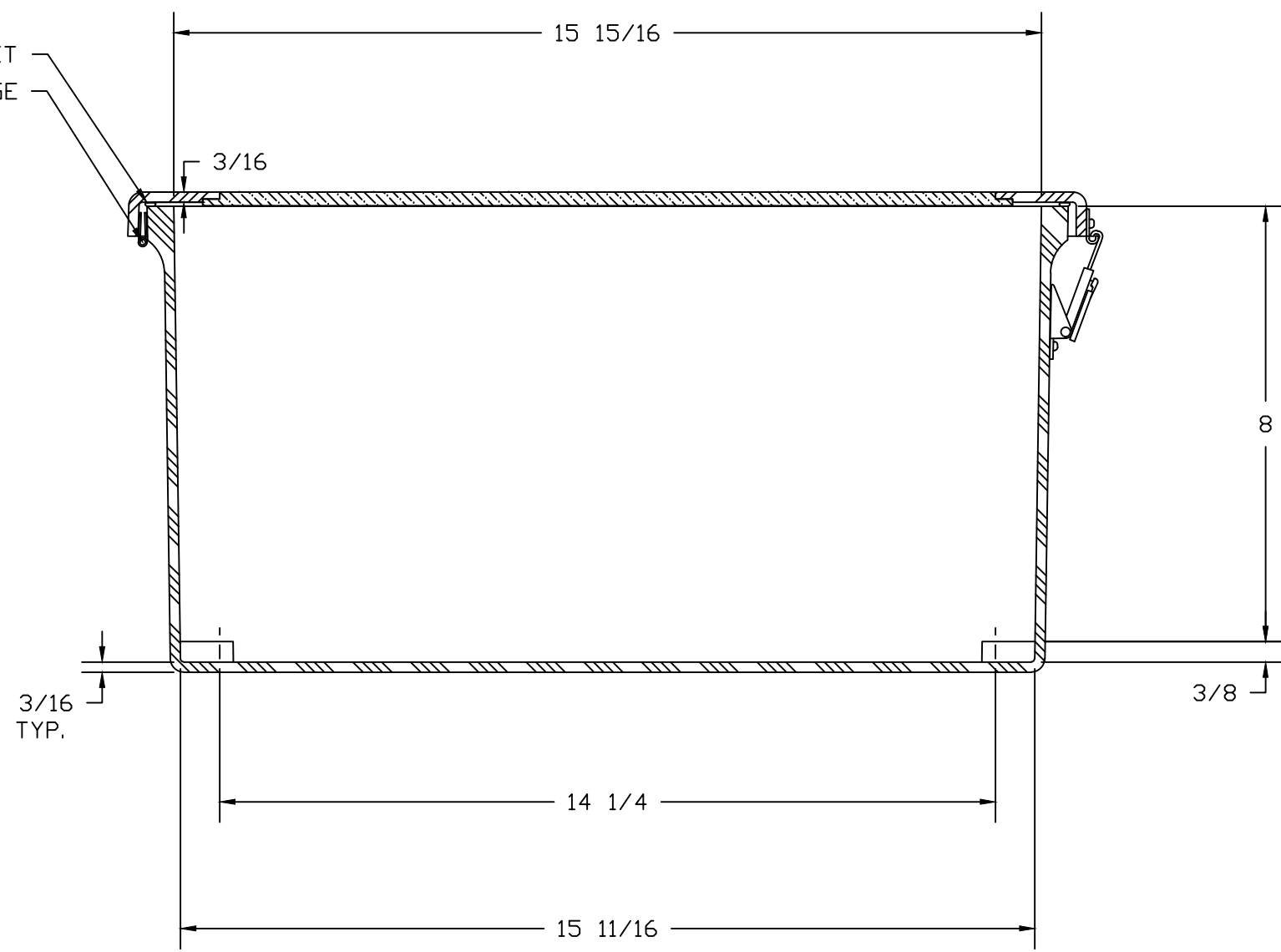
LL150 LATCH  
2 REQ'D.



SECTION B-B



GASKET  
17 1/2 SS FLAT HINGE



SECTION A-A

NOTES:

NEMA 4X		TOLERANCES UNLESS SPECIFIED		DECIMAL ± .010	FRACTIONAL ± 1/32
COLOR GLACIER GRAY RR1013					
MATERIAL	F.R. POLYESTER FIBERGLASS	DR. BY	SH	DATE	8/20/91
LET.	REVISION RECORD	DATE	BY	CHD.	
		APD. BY	DATE	CUSTOMER	
		SCALE	DO NOT SCALE	PART NAME	ENCLOSURE
				PART NO.	JW1816HLL

STAHLIN ENCLOSURES  
DIVISION OF ROBROY INDUSTRIES

BELDING, MICHIGAN 48809

AutoCAD DWG. FILE JW1816HLL