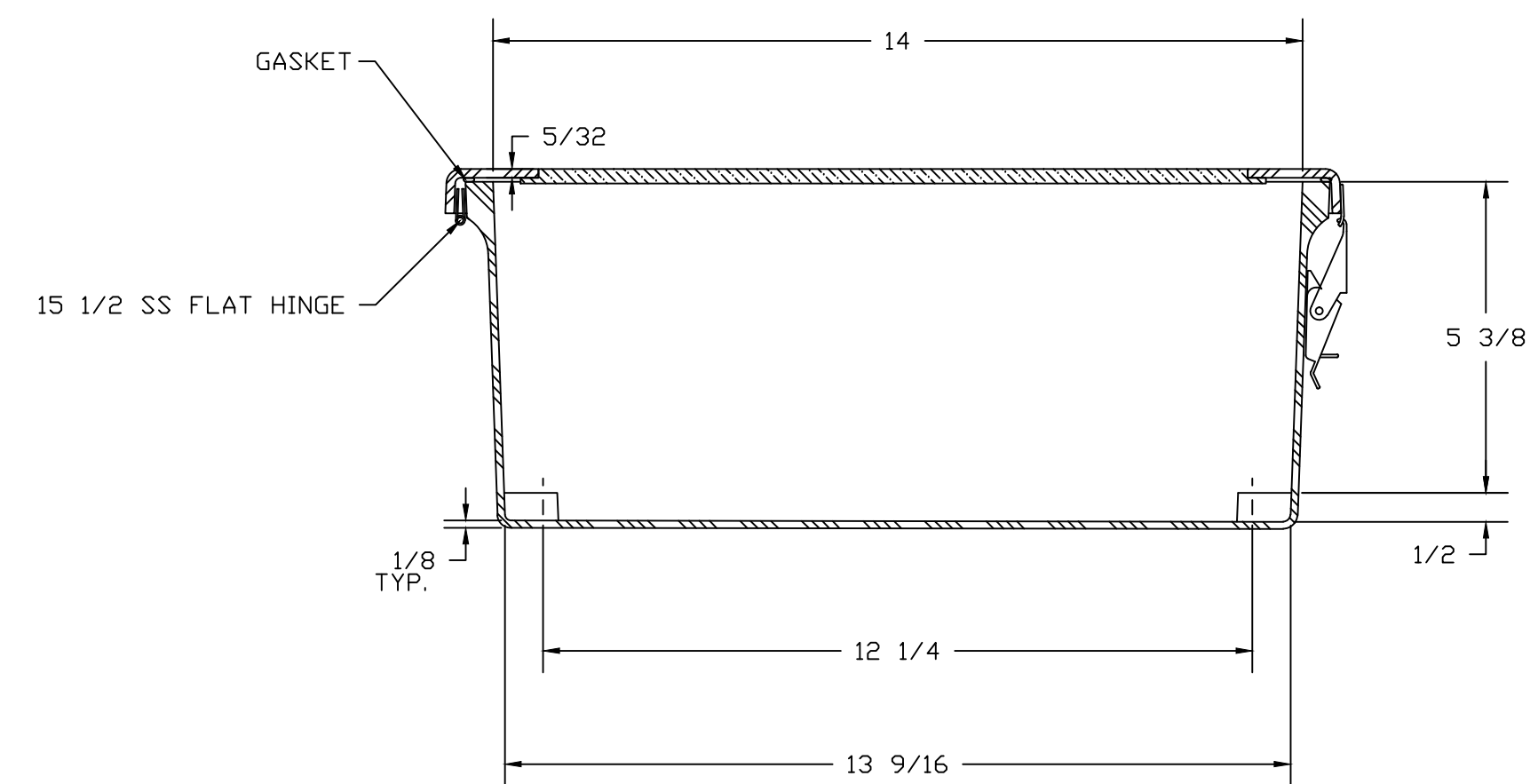
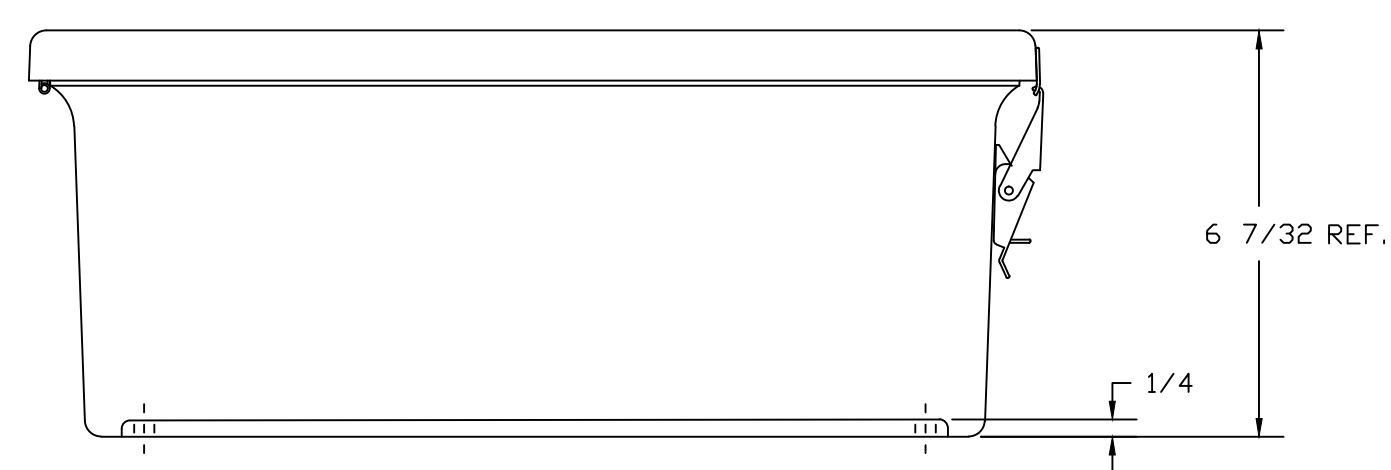


SECTION B-B



SECTION A-A

NOTES:

NEMA 4X		TOLERANCES UNLESS SPECIFIED		DECIMAL ±.010	FRACTIONAL ± 1/32
COLOR GLACIER GRAY RR1013					
MATERIAL	F.R. POLYESTER FIBERGLASS	DR. BY	SH	DATE	8/20/91
LET.	REVISION RECORD	DATE	BY	CHD.	CHK. BY
					DATE
		APD. BY	DATE		
		CUSTOMER			AutoCAD DWG. FILE
		SCALE			DO NOT SCALE
		PART NAME		ENCLOSURE	PART NO.
				JW1614HPL	JW1614HPL



BELDING, MICHIGAN
48809

JW1614HPL