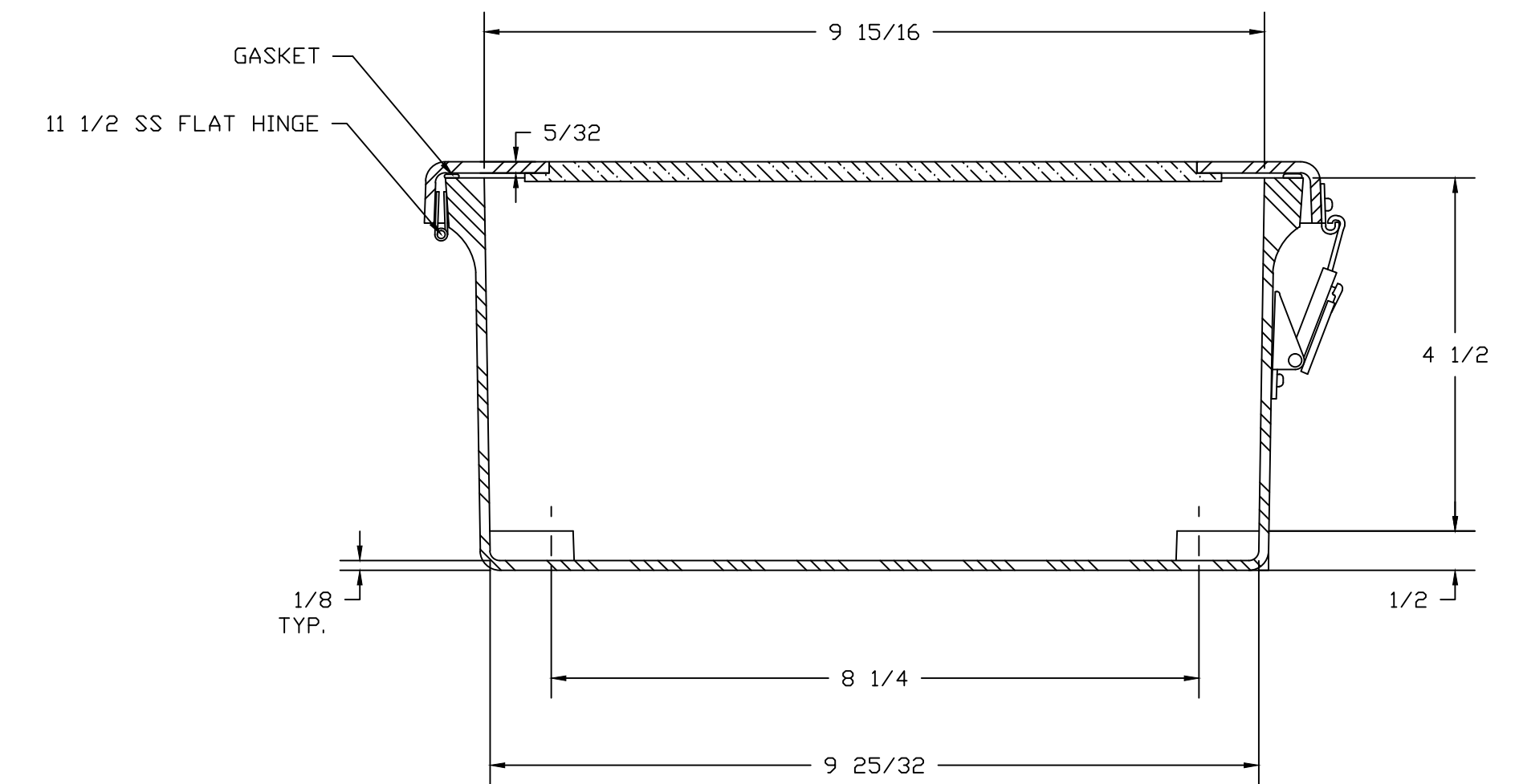
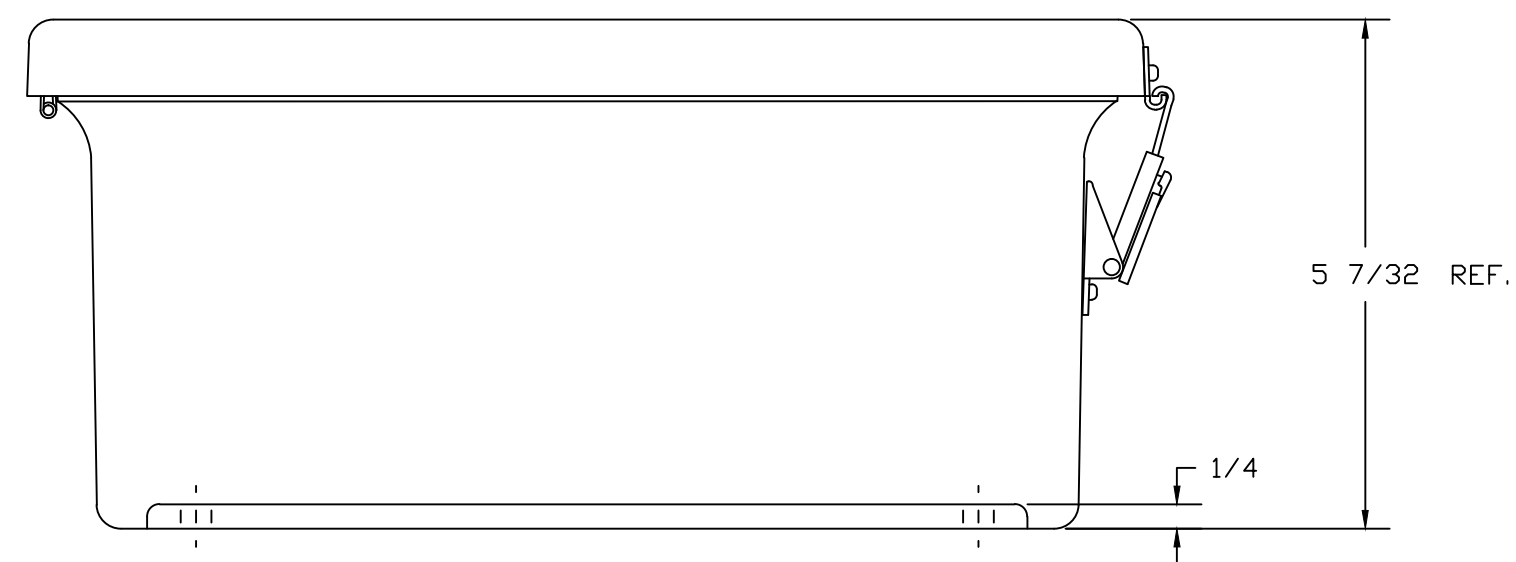


SECTION B-B



SECTION A-A

NOTES:											
NEMA 4X					TOLERANCES UNLESS SPECIFIED		DECIMAL ± .010	FRACTIONAL ± 1/32			
COLOR GLACIER GRAY RR1013											
MATERIAL F.R. POLYESTER FIBERGLASS					DR. BY SH	DATE					
					CHK. BY	DATE					
REVISION RECORD					DATE	BY	CHD.				
LET.					APD. BY	DATE					
					SCALE	PART NAME	PART NO.				
					DO NOT SCALE	ENCLOSURE	JW1210HLL				

STAHLIN ENCLOSURES
DIVISION OF ROBROY INDUSTRIES

BELDING, MICHIGAN 48809

AutoCAD DWG. FILE JW1210HLL