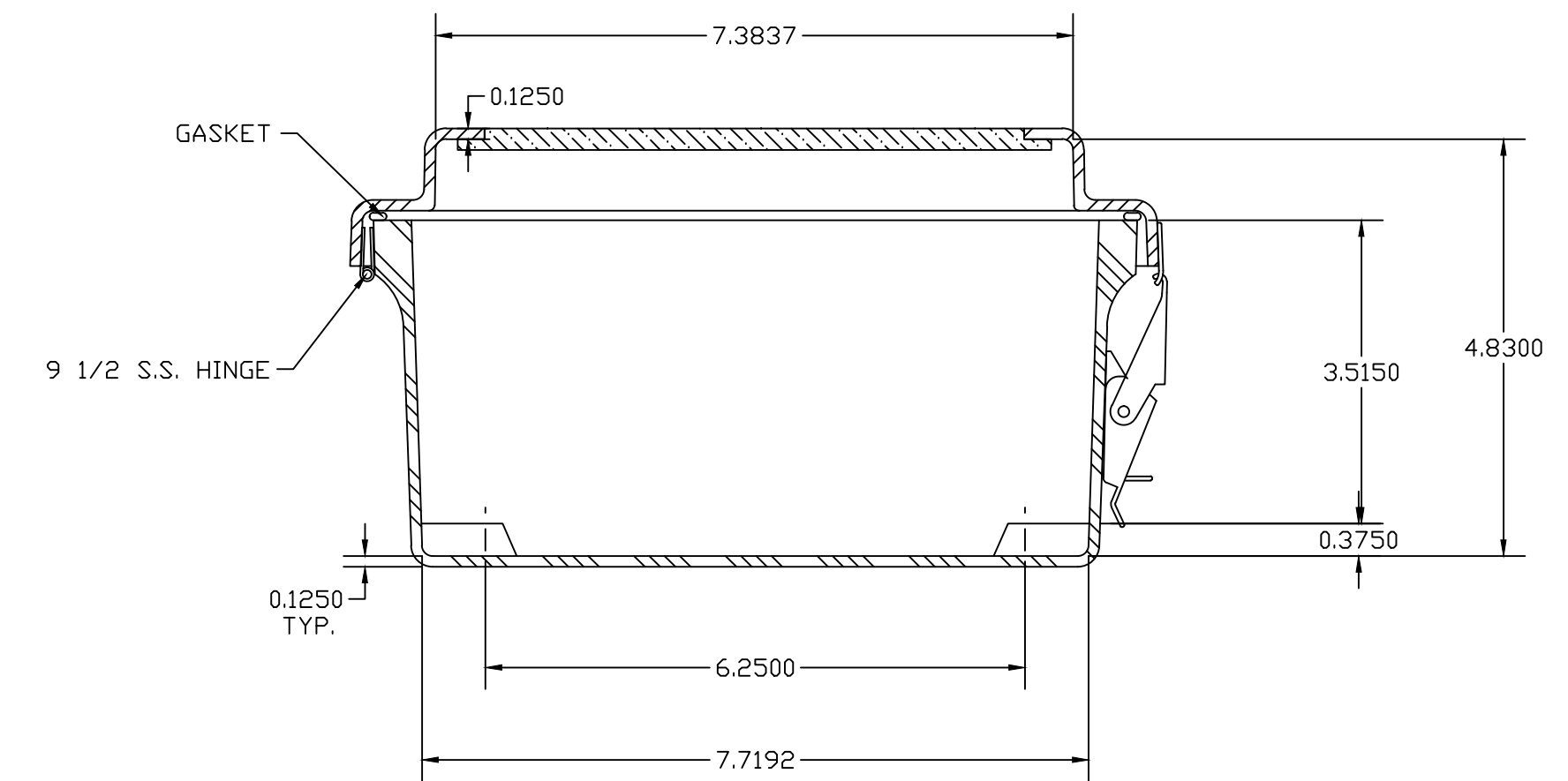
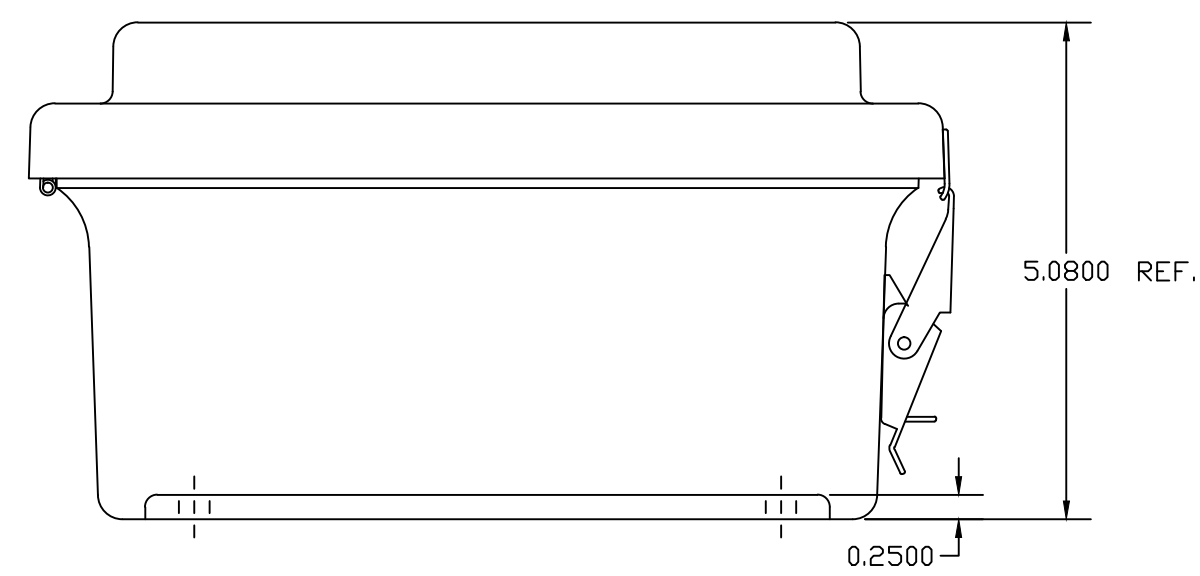



SECTION B-B



SECTION A-A

NOTES:		NEMA 4X		TOLERANCES UNLESS SPECIFIED		DECIMAL ± .010	FRACTIONAL ± 1/32
MATERIAL		COLDR GLACIER GRAY RR1013		DR. BY	DATE	 BELDING, MICHIGAN 48809	
F.R. POLYESTER FIBERGLASS		SH	02/13/92	CHK. BY	DATE		
LET.	REVISION RECORD	DATE	BY	CHD.	APD. BY	DATE	CUSTOMER
							AutoCAD DWG. FILE JW1008HAPL
					SCALE	PART NAME	PART NO.
					DD NDT SCALE	ENCLOSURE	JW1008HAPL