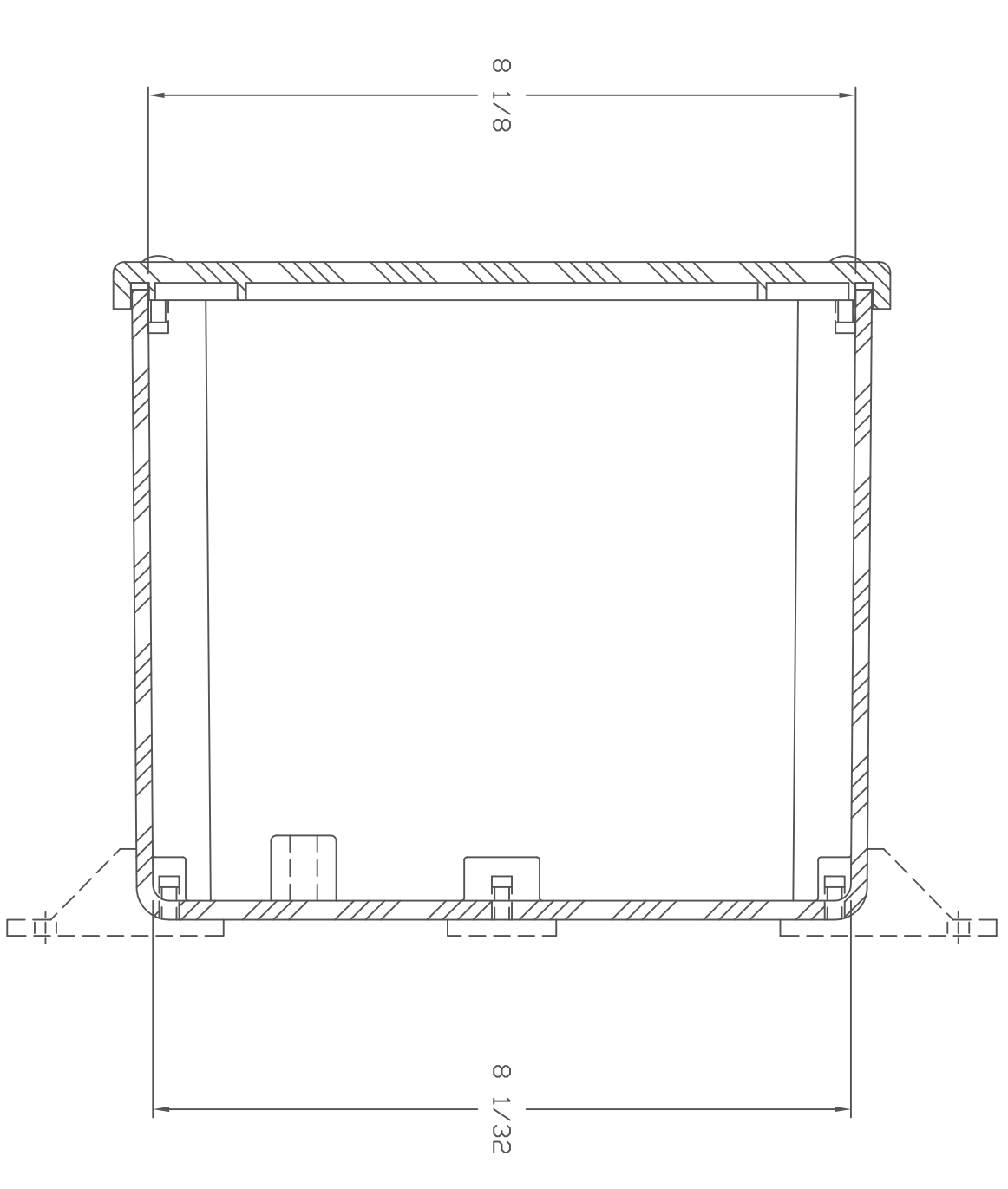
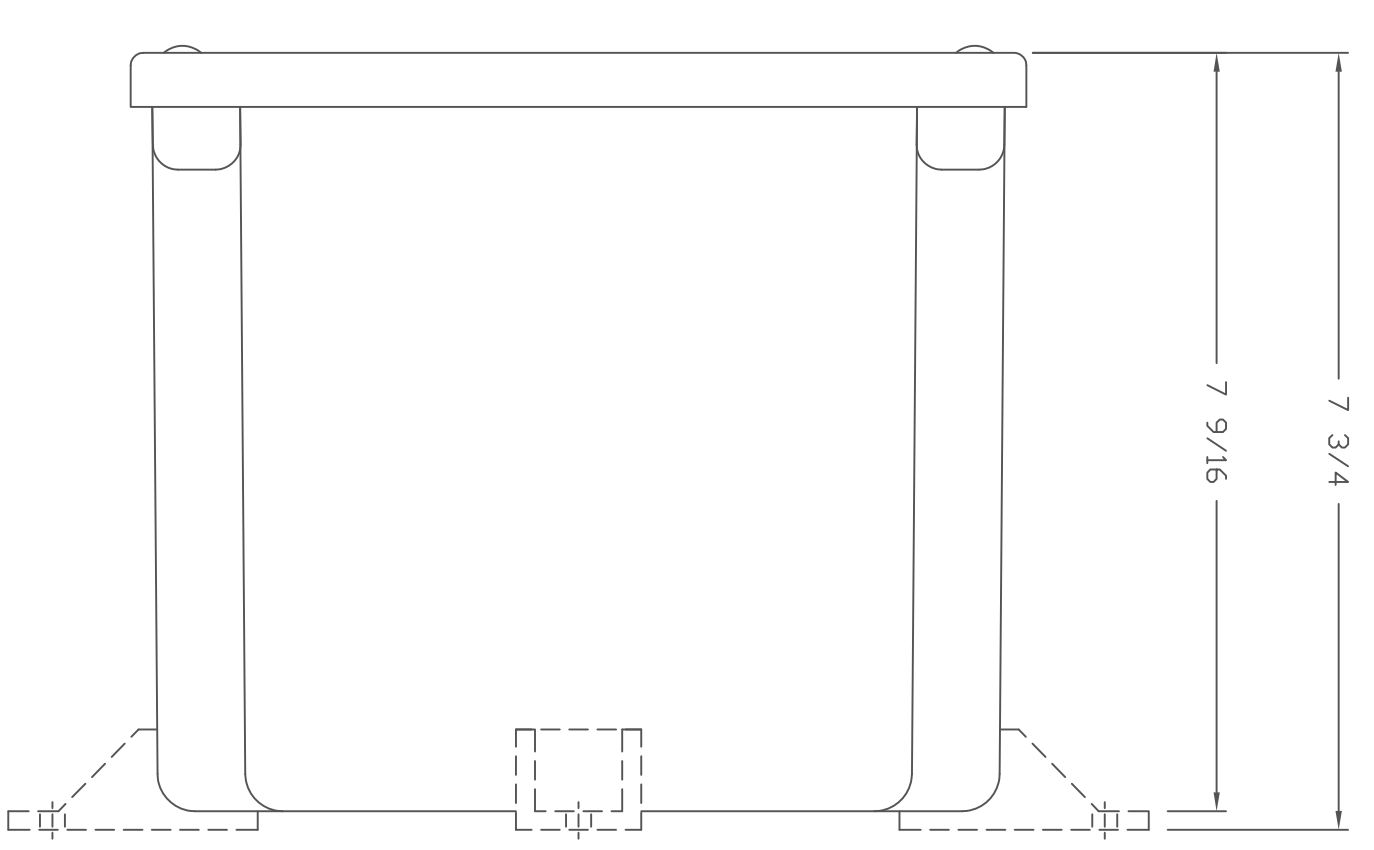
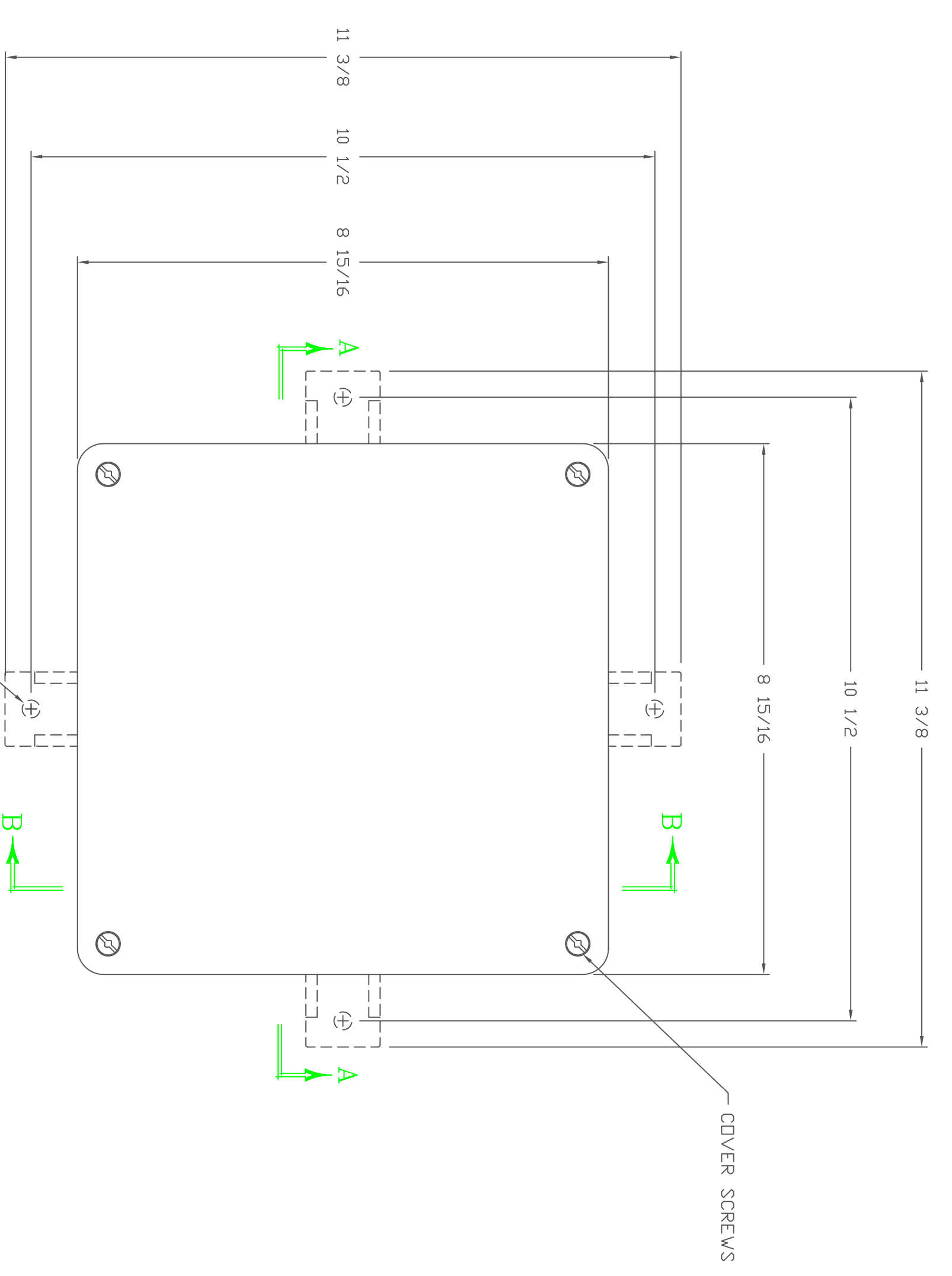
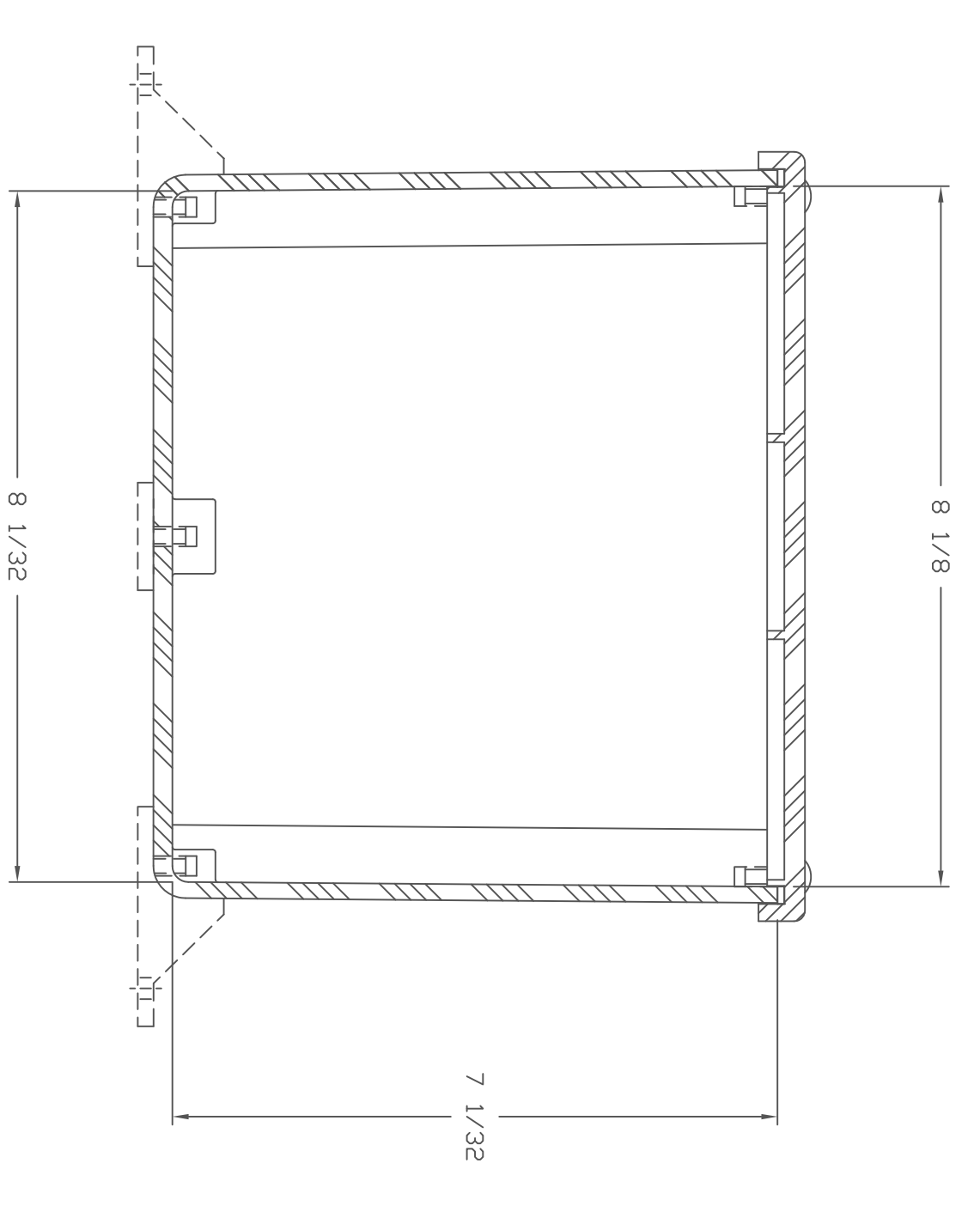
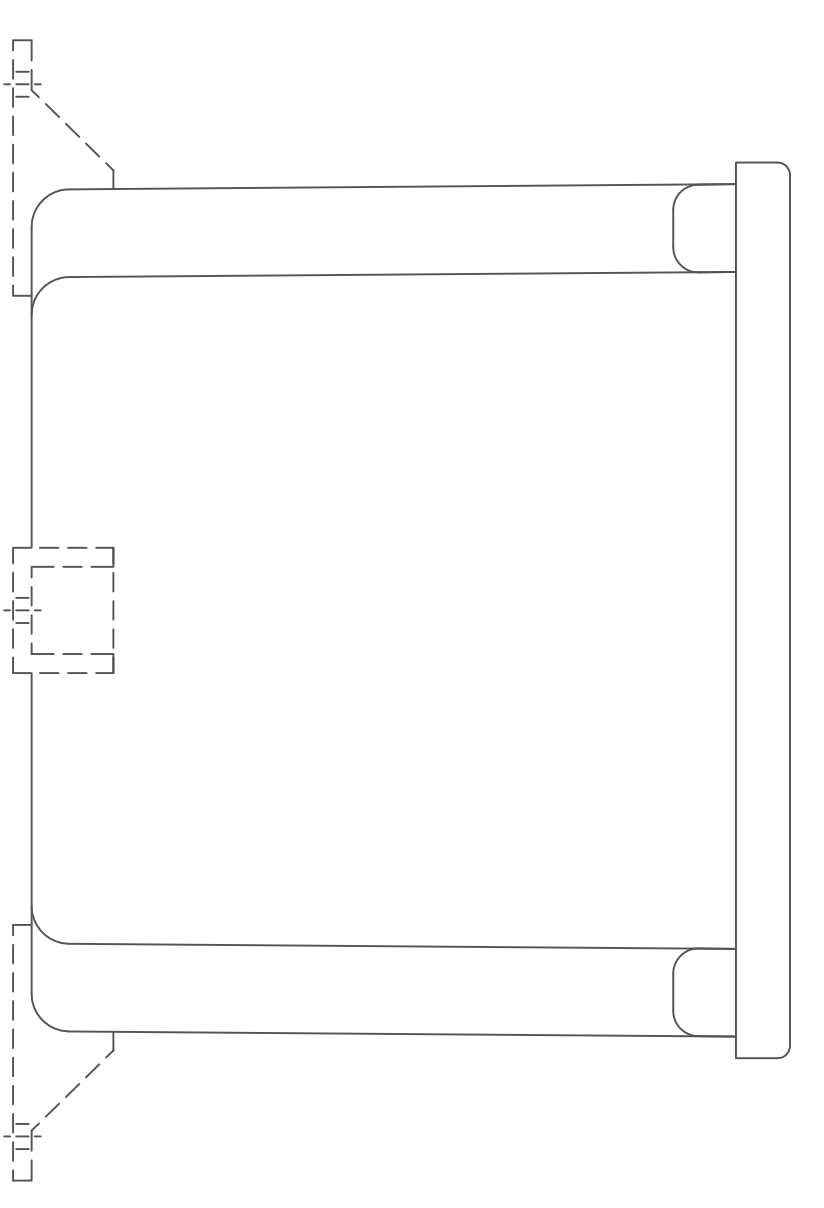


TOP VIEW  
WITHOUT COVER



SECTION A-A



SECTION B-B

NOTES

COLOR: GRAY		TOLERANCES UNLESS SPECIFIED		DECIMAL ± .010	FRACTIONAL ± 1/32
MATERIAL	PVC	DR. BY	DATE	GF	6/29/00
LET.	REVISION RECORD	CHK. BY	DATE	APD. BY	DATE
STAHLIN ENCLOSURES		CUSTOMER		PART NAME ENCLOSURE	
BY/ISSN OR REVISION INDICATES		48809		PART NO. J887PVC	
SCALE		DO NOT SCALE		Aurecad DWG FILE	
SCALE		DO NOT SCALE		J887PVC	