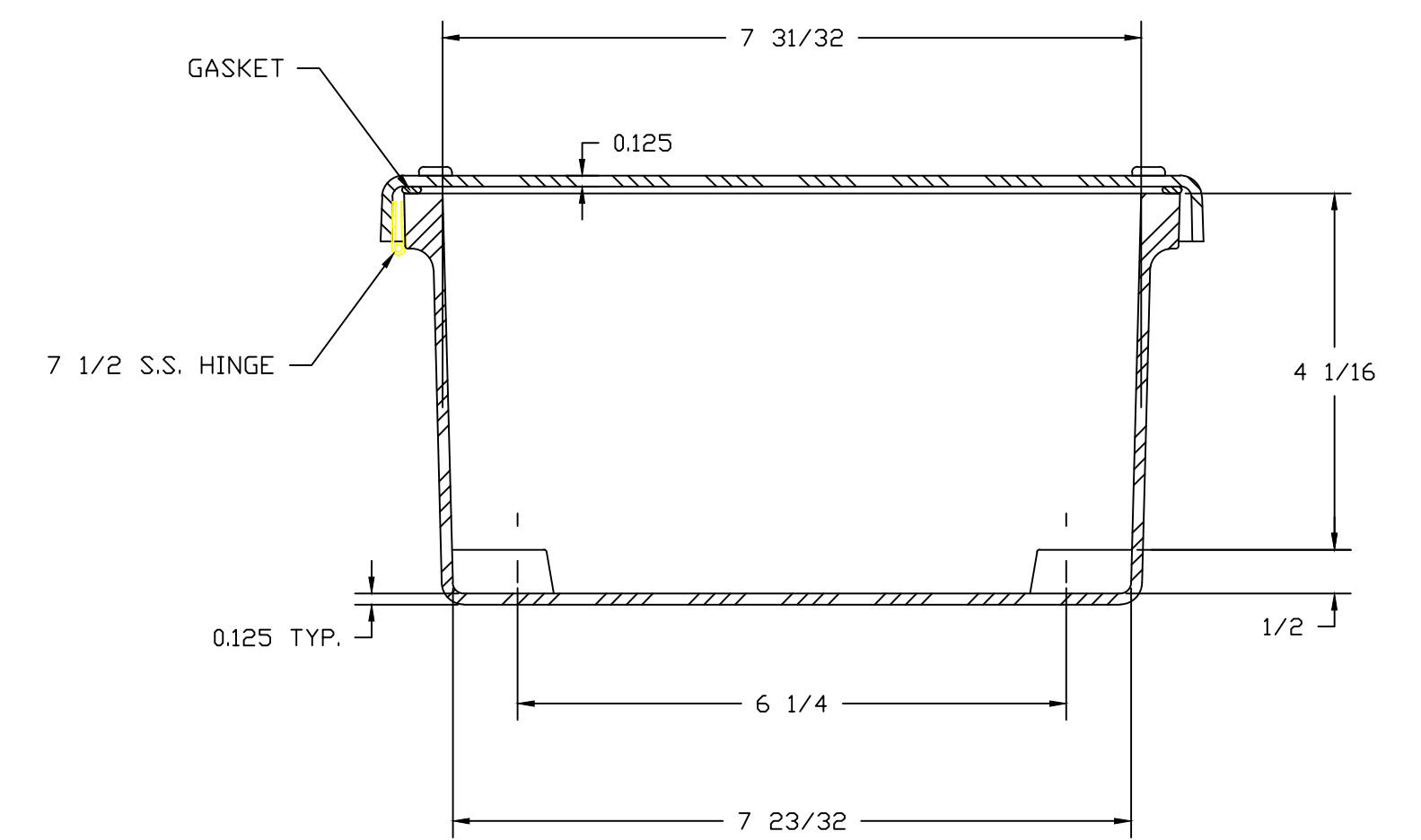
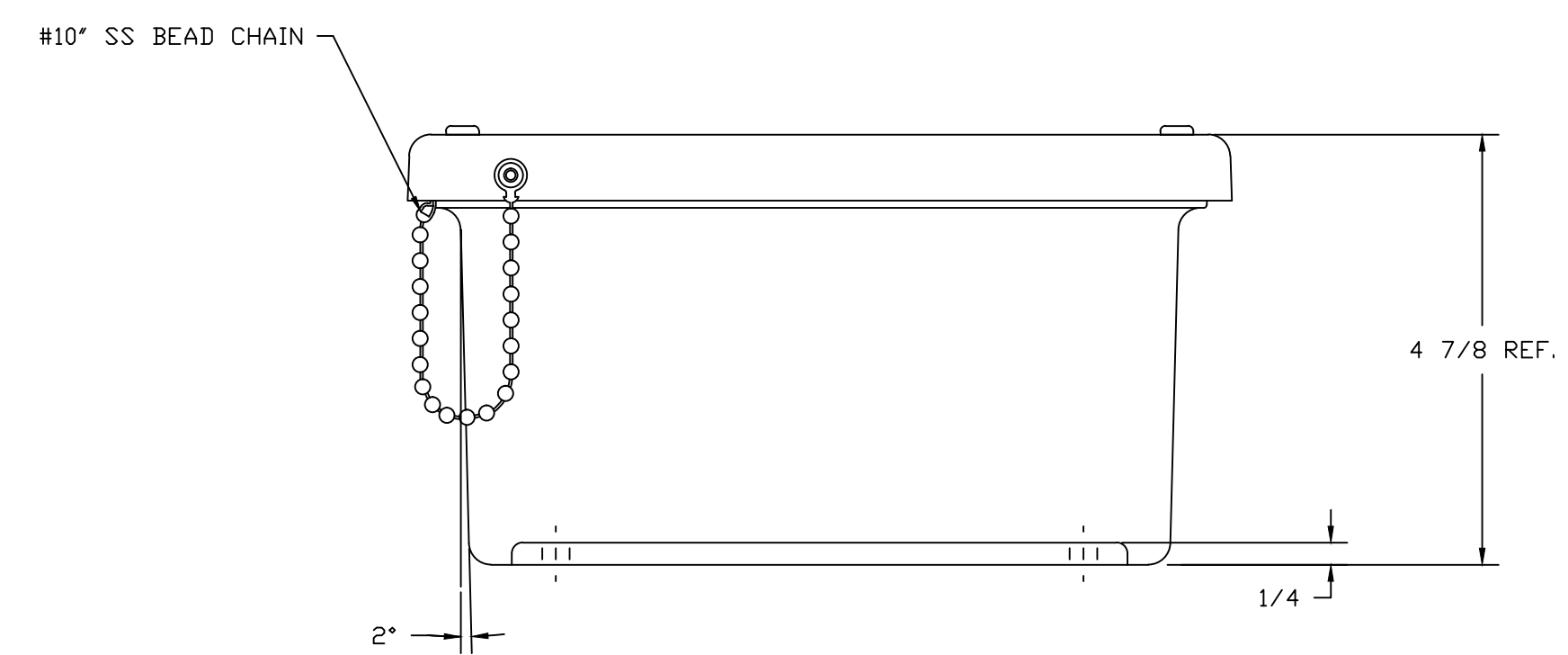


SECTION B-B



SECTION A-A

NOTES:

COLOR: GLACIER GRAY RR1013				TOLERANCES UNLESS SPECIFIED		DECIMAL ± .010	FRACTIONAL ± 1/32
NEMA 1, 3R, 4X, 6P, 12				DR. BY ZJB		DATE 3/2/04	
MATERIAL F.R. POLYESTER FIBERGLASS				CHK. BY		DATE	
LET.	REVISION RECORD	DATE	BY	CHD.	APD. BY	DATE	CUSTOMER
							BELDING, MICHIGAN 48809
SCALE DO NOT SCALE				PART NAME ENCLOSURE		PART NO. JB08W	

AutoCAD DWG. FILE JB08W