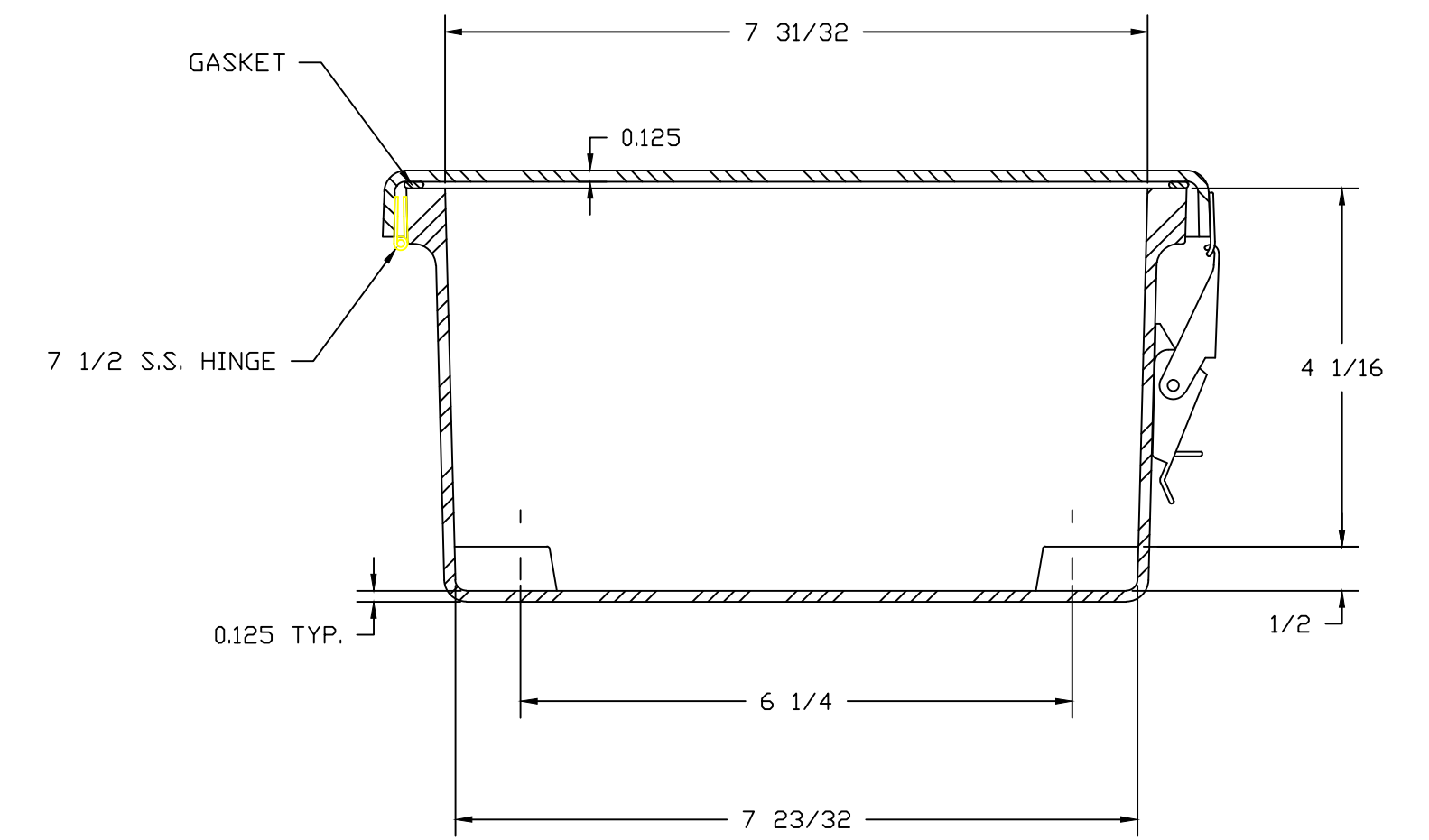
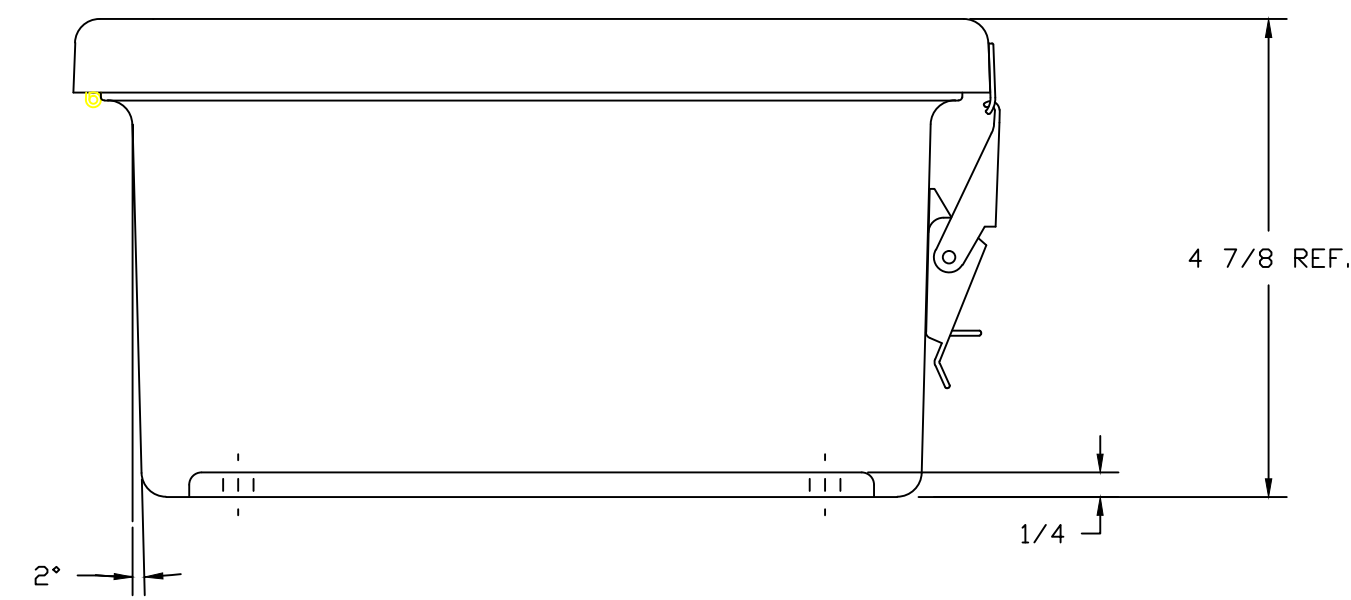


SECTION B-B



SECTION A-A

NOTES:

MATERIAL				DR. BY	DATE	TOLERANCES		DECIMAL	FRACTIONAL
F.R. POLYESTER FIBERGLASS				ZJB	3/2/04	UNLESS SPECIFIED		$\pm .010$	$\pm 1/32$
LET.	REVISION RECORD	DATE	BY	CHK. BY	DATE	STAHLIN ENCLOSURES			
						DIVISION OF ROBROY INDUSTRIES			
				APD. BY	DATE	CUSTOMER			
						AutoCAD DWG. FILE			
						JB08HPL			
				SCALE	PART NAME	PART NO.			
				DO NOT SCALE	ENCLOSURE	JB08HPL			