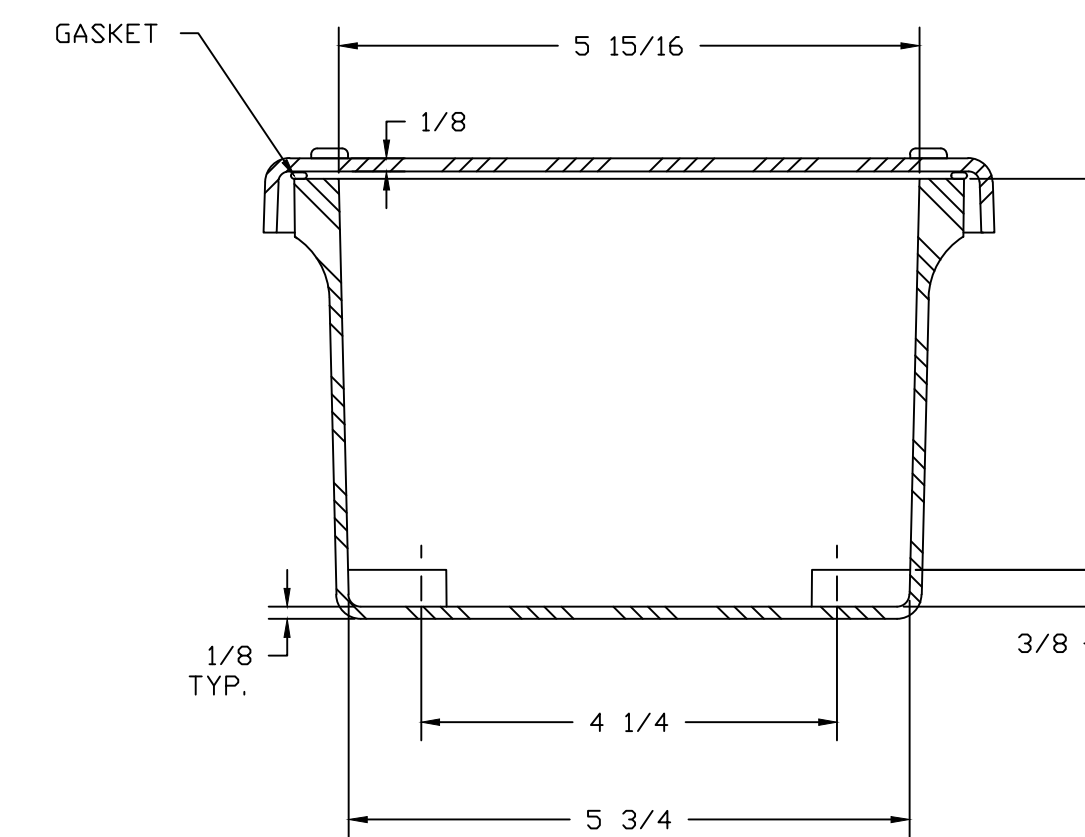
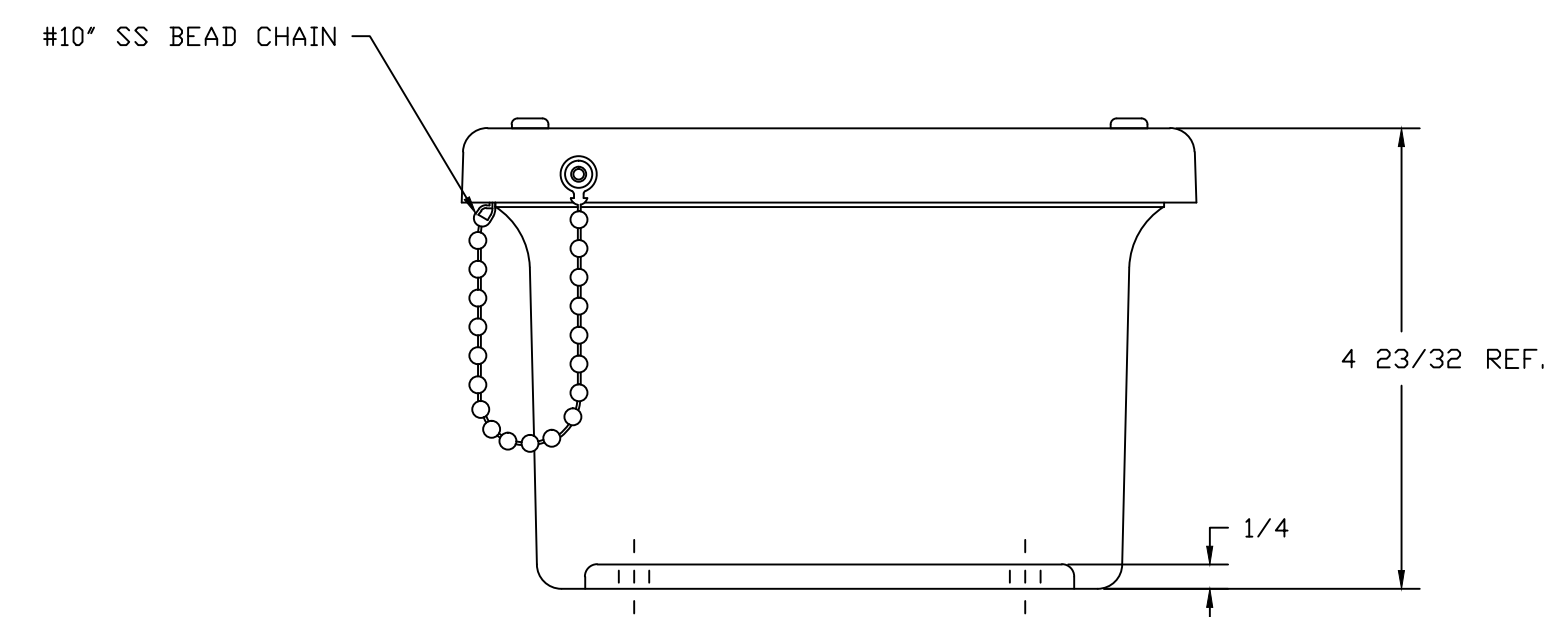



SECTION B-B



SECTION A-A

NOTES:										
NEMA 4X					TOLERANCES UNLESS SPECIFIED		DECIMAL $\pm .010$	FRACTIONAL $\pm 1/32$		
COLD: GLACIER GRAY RR3013										
MATERIAL			DR. BY	DATE	CHK. BY		DATE	 STAHLIN ENCLOSURES DIVISION OF ROBROY INDUSTRIES		
F.R. POLYESTER FIBERGLASS			LB	8/12/10						
LET.	REVISION RECORD	DATE	BY	CHD.	APD. BY	DATE	CUSTOMER		AutoCAD DWG. FILE	
									J806W	
SCALE					PART NAME		PART NO.			
DO NOT SCALE					ENCLOSURE		J806W			