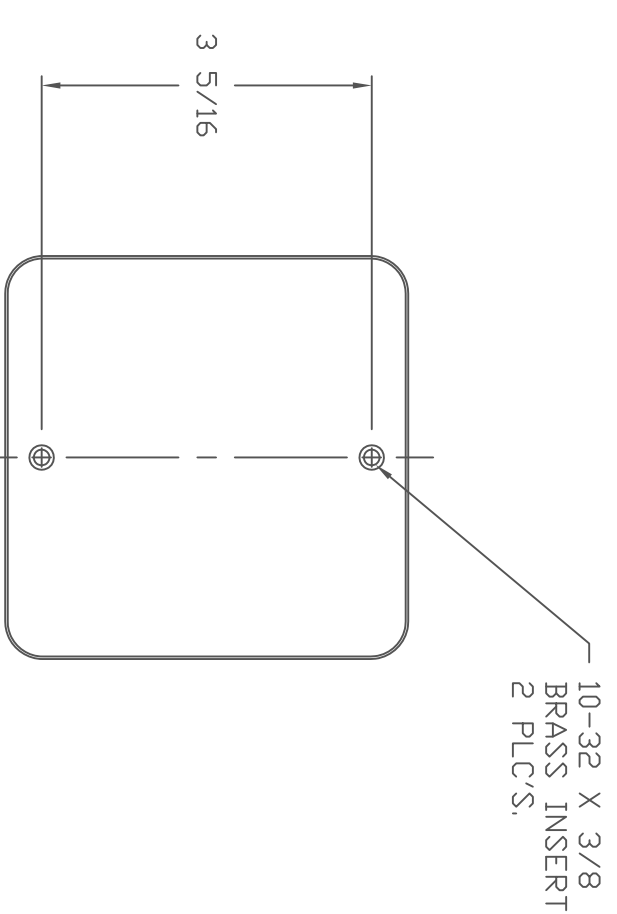
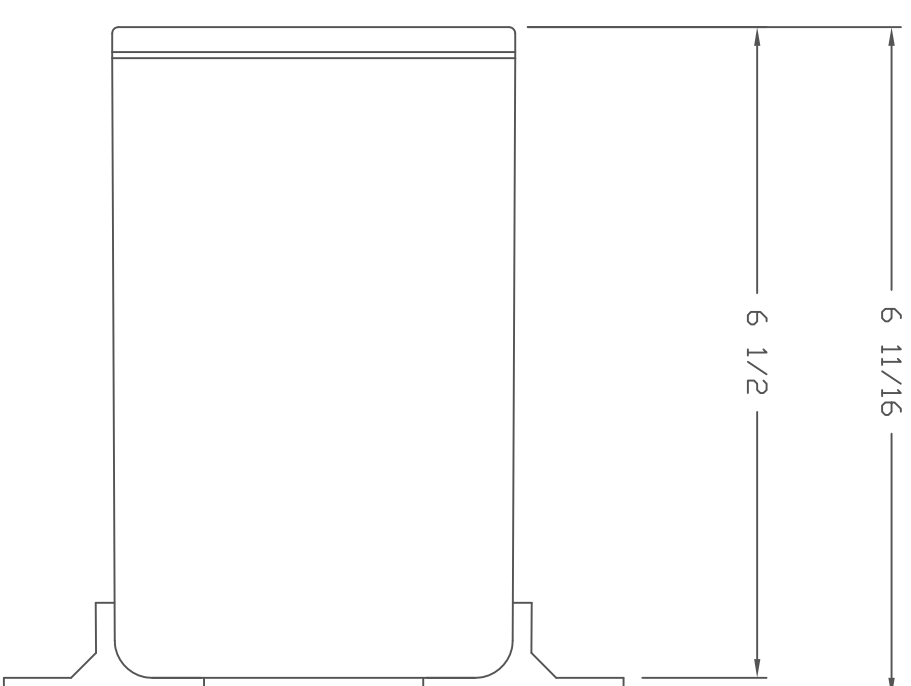
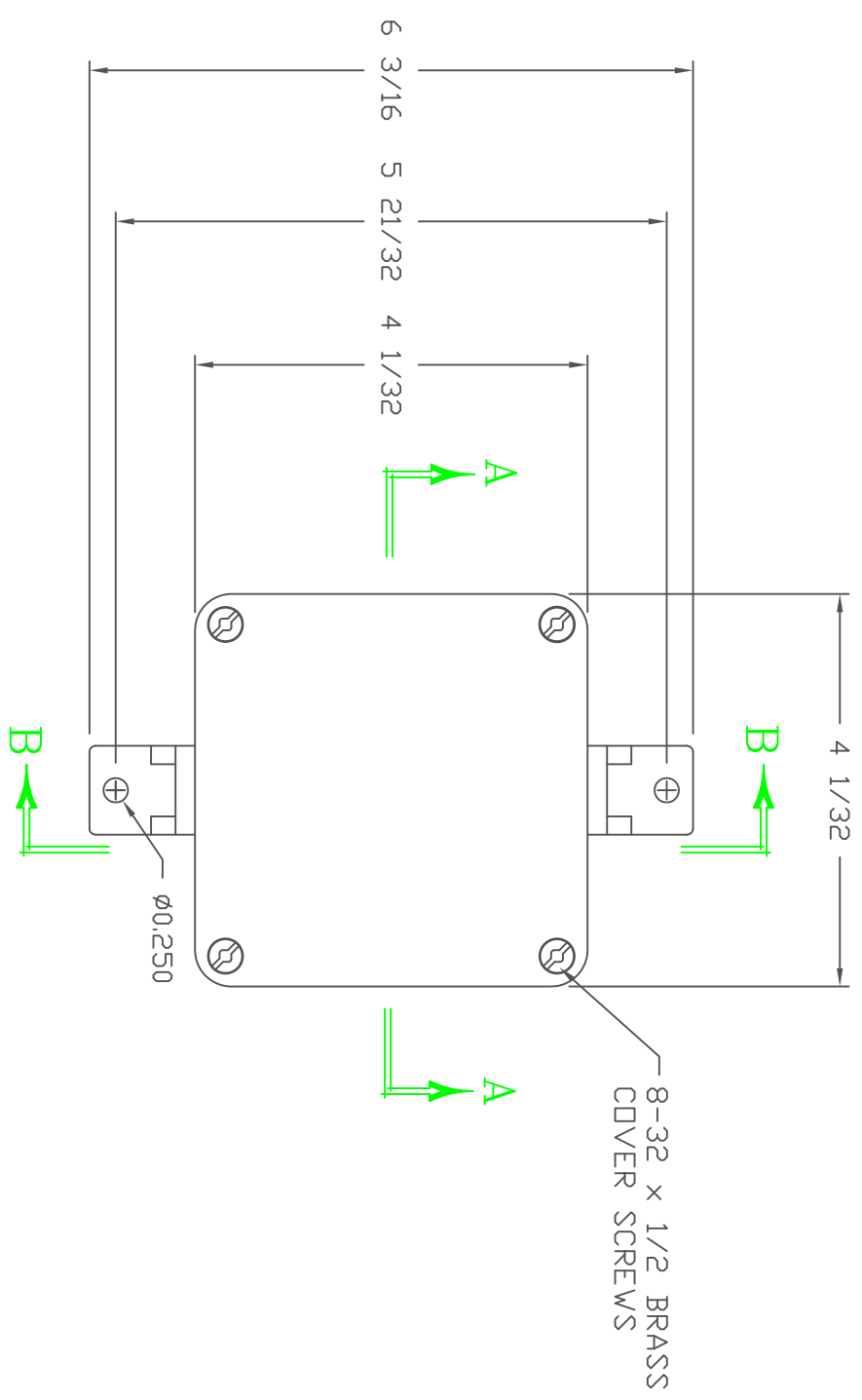
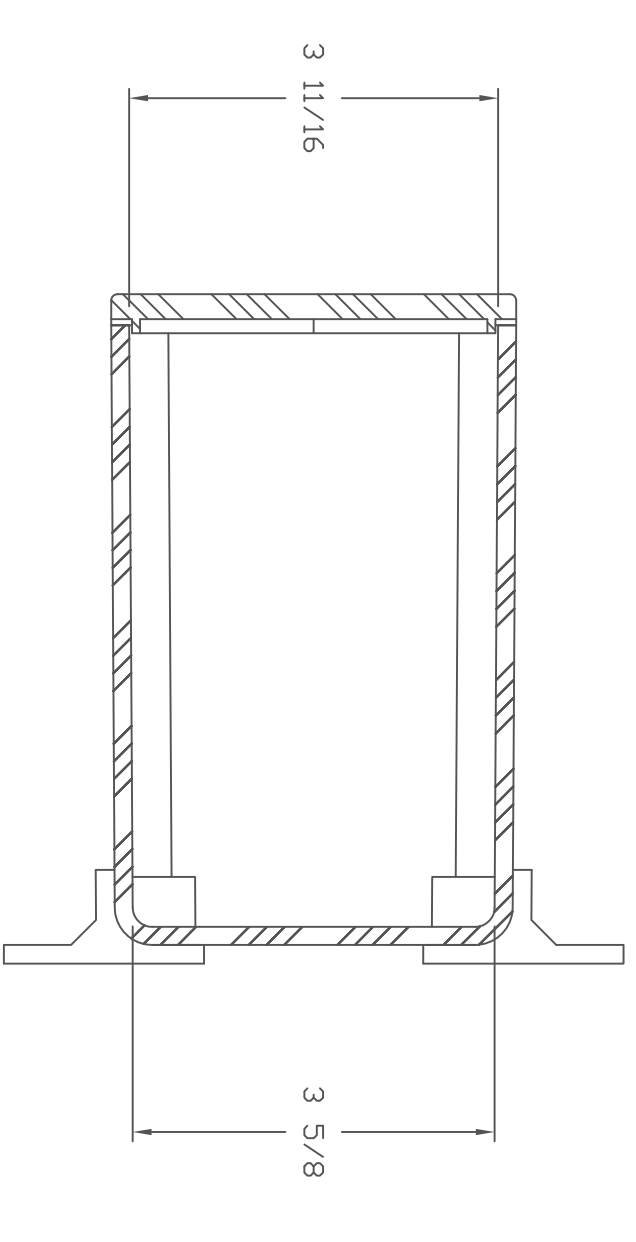


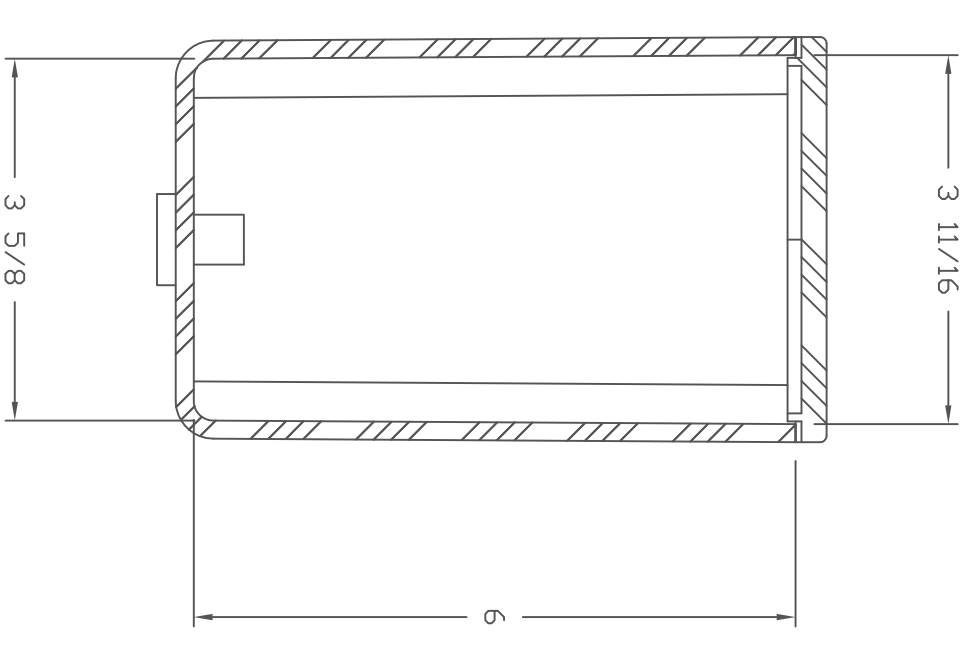
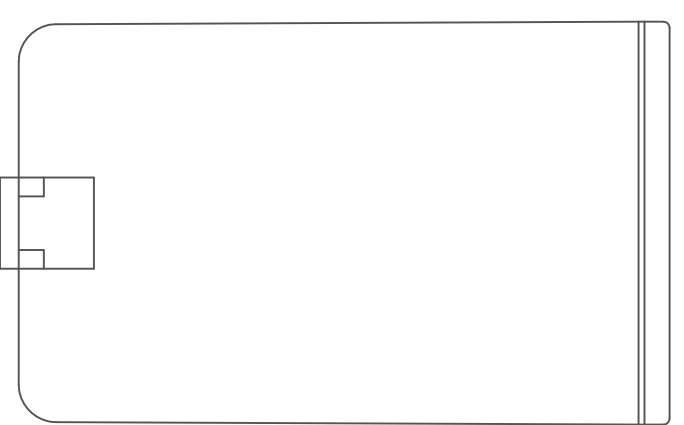
**TOP VIEW**  
WITHOUT COVER



**BACK VIEW**  
WITHOUT MOUNTING TABS



**SECTION A-A**



**SECTION B-B**

NOTES

COLOR GRAY

TOLERANCES

UNLESS SPECIFIED

DECIMAL

FRACTIONAL

± .010

± 1/32

DR. BY	DATE	DR. BY	DATE	SCALE	PART NAME	PART NO.
GF	3/22/00	GF	3/22/00	DO NOT SCALE	ENCLOSURE	J446PVC
CHK. BY	DATE	CHK. BY	DATE			
APD. BY	DATE	APD. BY	DATE			
DO NOT SCALE		DO NOT SCALE				

