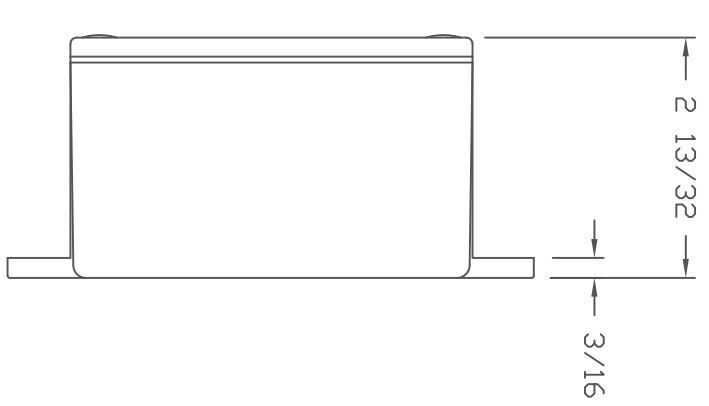
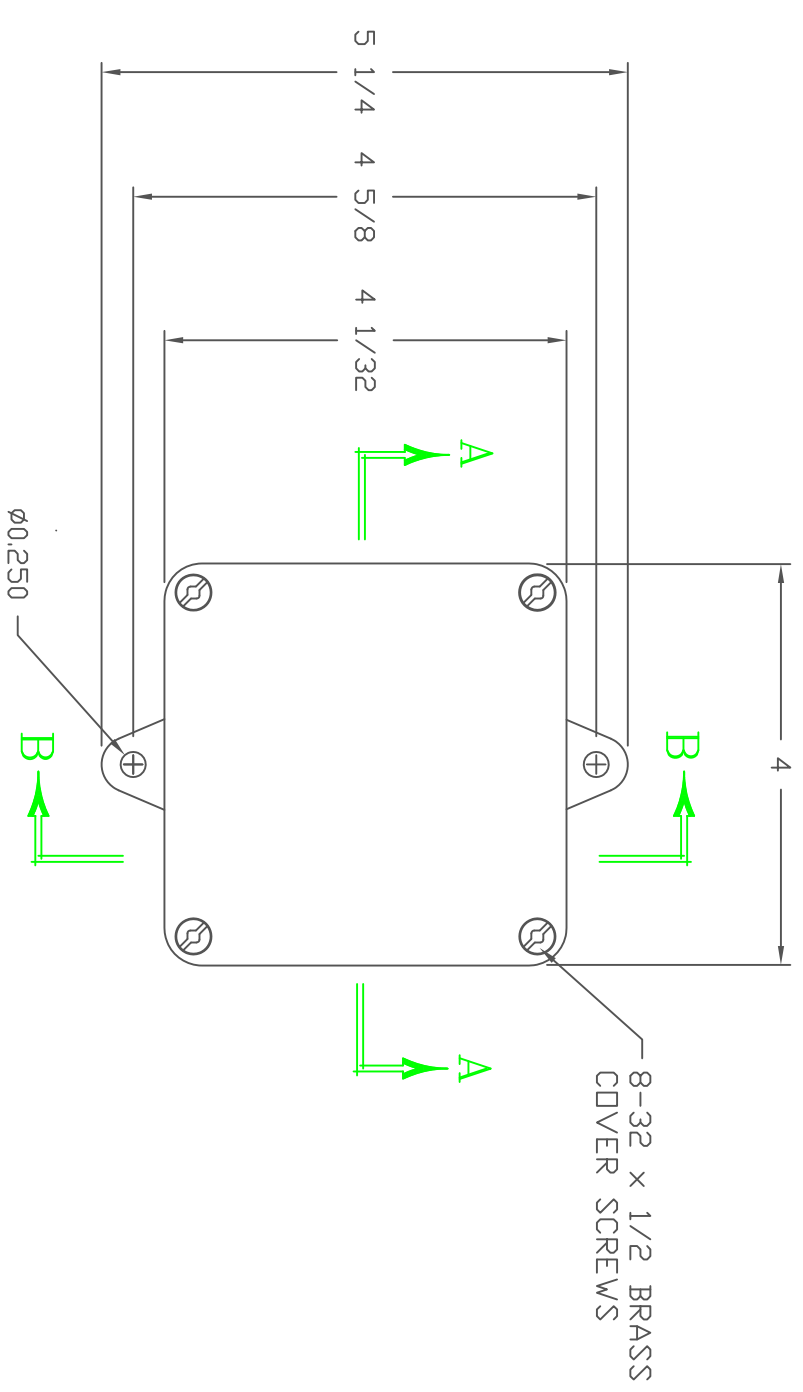
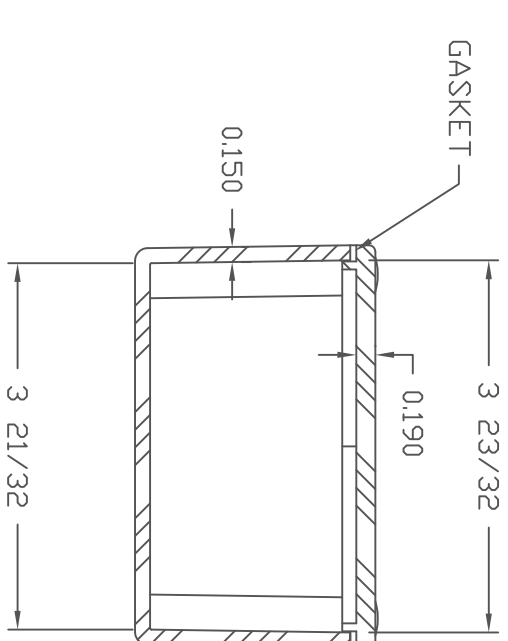
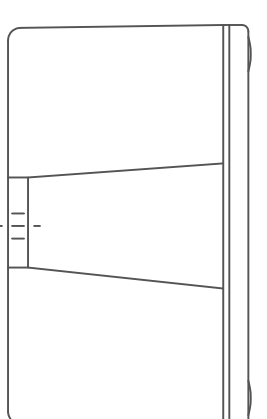
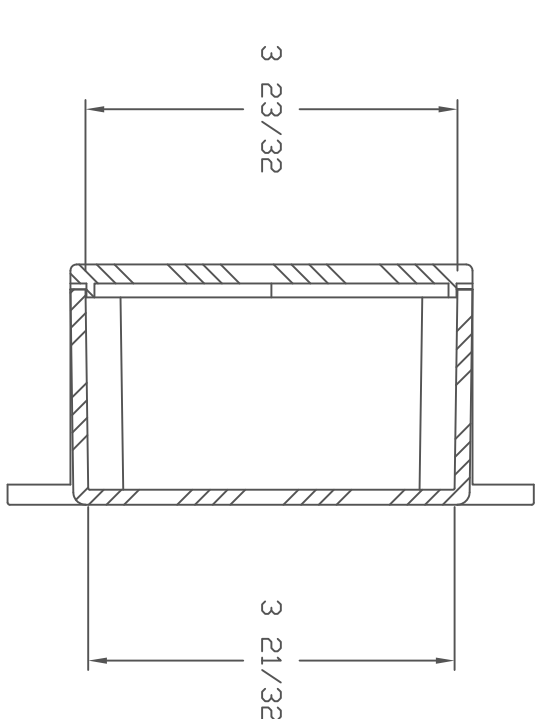


TOP VIEW  
WITHOUT COVER



SECTION A-A



SECTION B-B

NOTES

COLOR GRAY				TOLERANCES UNLESS SPECIFIED			
				DECIMAL	FRACTIONAL		
				± .010	± 1/32		
MATERIAL	PVC	DR. BY	DATE	GF	3/22/00	DATE	
LET.	REVISION RECORD	CHK. BY	DATE	CHK. BY	DATE	DATE	
		BY	CHD.	APD.	BY	DATE	
				SCALE	DO NOT SCALE	PART NAME	ENCLOSURE
						PART NO.	J442PVC



STAHLIN ENCLDSURES  
DIVISION OF STAHN BUSINESS

BELDING MICHIGAN  
48809

Autocad DWG FILE