

THIS DRAWING AND THE INFORMATION HEREON ARE OUR PROPERTY AND MAY BE USED BY OTHERS ONLY AS AUTHORIZED BY STAHLIN ENCLOSURES, DIVISION OF ROBROY INDUSTRIES. ALL RIGHTS RESERVED UNDER THE COPYRIGHT LAWS.

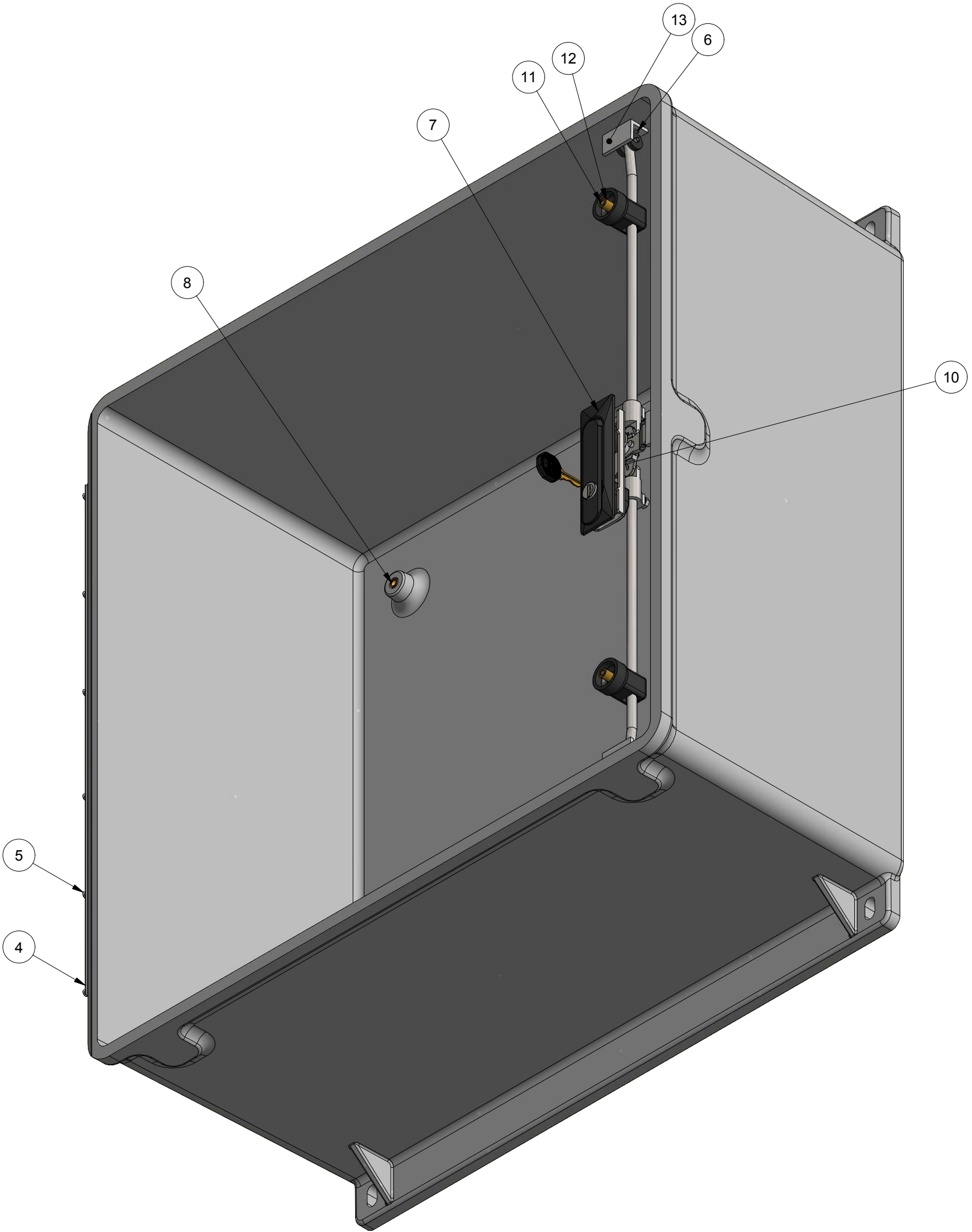
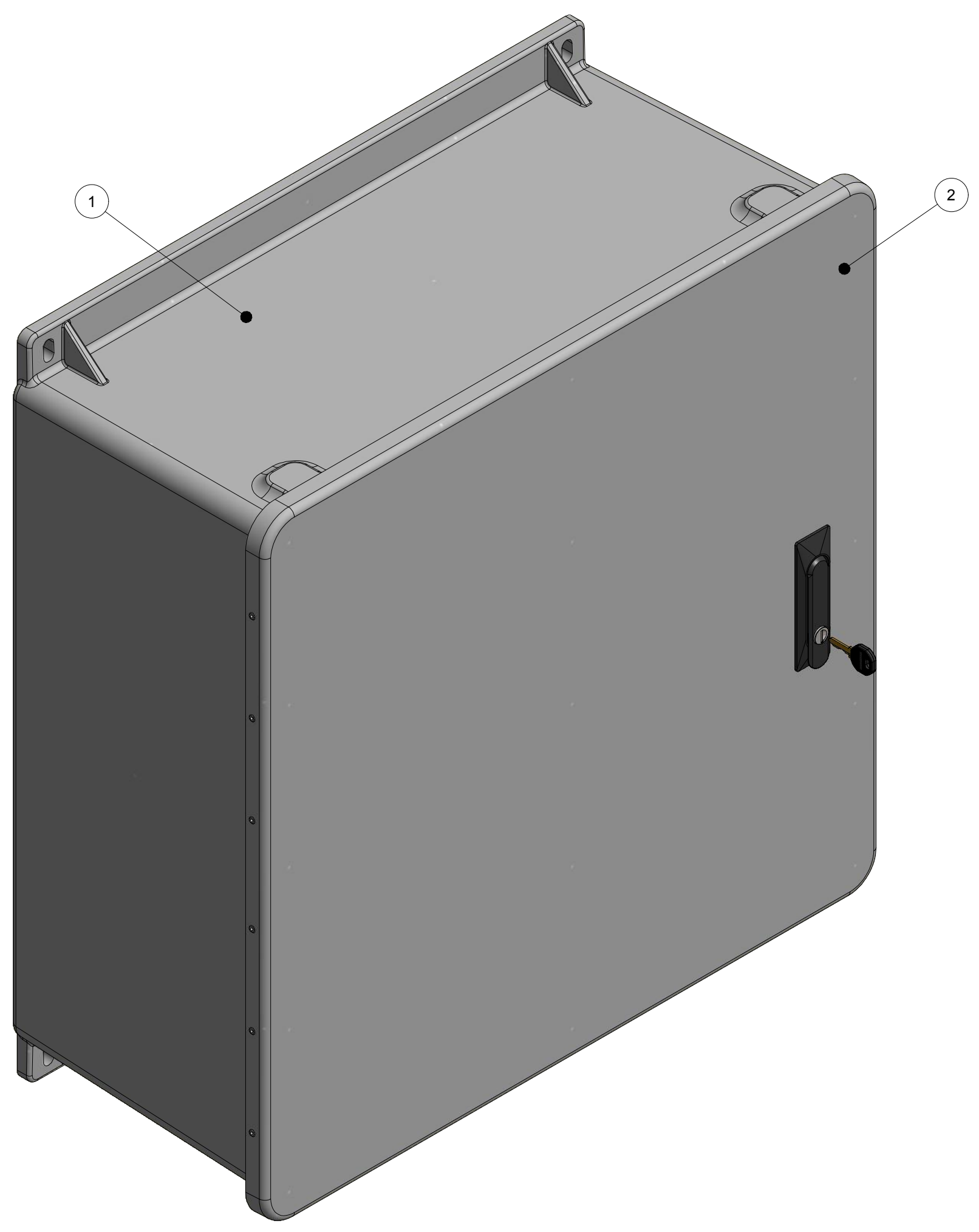
SPECIAL REQUIREMENTS

- CNC:**
 1. CONTACT SUPERVISOR FOR FIRST PART INSPECTION
 2. CONTACT ENGINEERING FOR FIRST RUN INSPECTION

- ASSEMBLY:**
 1. USE J2424 BOX FIXTURE TO DRILL KEEPER HOLES

NEMA 250: TYPE 1, 3, 3R, 4, 4X, 12, 13 IEC 60529: IP66 COLOR: GLACIER GRAY (WPR3013) COLOR STANDARD: PANTONE 428 C		STANDARD P/N: J24243PT	ALL DIMENSIONS ARE IN INCHES UNLESS OTHERWISE SPECIFIED		TOLERANCES UNLESS SPECIFIED	.XX ± 0.03	.XXX ± 0.010
MATERIAL: FIBERGLASS REINFORCED POLYESTER (FRP)		CUSTOMER DWG:	STAHLIN		Stahlin Non-Metallic Enclosures 500 Maple Street Belding, Michigan 48809 Phone: 616-794-0700 Fax: 616-749-3378		
REVISION HISTORY		DRAWN BY	DATE	CUSTOMER		DWG	
REV	DESCRIPTION	DATE	ENG			J24243PT	
-	-	-	-				
-	-	-	-				
-	-	-	-				
-	-	-	-				
-	-	-	-				
SCALE		DO NOT SCALE		DESCRIPTION	PART NUMBER		
				STANDARD ENCLOSURE	J24243PT		

8 7 6 5 4 3 2 1




PARTS LIST			
ITEM	QTY	PART NUMBER	DESCRIPTION
1	1	WP2424HBOX	J2424 MOLDED HINGE BOX
2	1	WP2424HCVR	J2424 MOLDED HINGE CVR
3	1	RMGAS_WP2424HCVR	WP2424HU3PT GASKET
4	1	RMHING19-1/2	19.5" HINGE
5	12	RMRIV44	RIVET
6	6	RMRIV46	RIVET
7	1	RMEMK1150U102	3PT HANDLE KIT
8	4	RMINSOD700154500	1/4-20 x 5/16 DODGE EXPANSION INSERT
9	1	N/A	J24243PT LABEL
10	2	RMSC818X1/2PHPS	8-18 x 1/2 THREAD-CUTTING SCREW FOR SOFT PLASTICS
11	2	RMSTUDM6X20MM	M6 x 20 mm STEEL STUD
12	2	RMINSM60X364P	M60 x 0.364" BRASS INSERT
13	2	WP1/8X3/4X3/4KEEPE	1/8 x 3/4 x 3/4 ANGLE

THIS DRAWING AND THE INFORMATION HEREON ARE OUR PROPERTY AND MAY BE USED BY OTHERS ONLY AS AUTHORIZED BY STAHLIN ENCLOSURES, DIVISION OF ROBROY INDUSTRIES. ALL RIGHTS RESERVED UNDER THE COPYRIGHT LAWS.

SPECIAL REQUIREMENTS

- CNC:**
 1. CONTACT SUPERVISOR FOR FIRST PART INSPECTION
 2. CONTACT ENGINEERING FOR FIRST RUN INSPECTION

- ASSEMBLY:**
 1. USE J2424 BOX FIXTURE TO DRILL KEEPER HOLES

NEMA 250: TYPE 1, 3, 3R, 4, 4X, 12, 13 IEC 60529: IP66 COLOR: GLACIER GRAY (WPR3013) COLOR STANDARD: PANTONE 428 C		STANDARD P/N: J24243PT CUSTOMER DWG:	ALL DIMENSIONS ARE IN INCHES UNLESS OTHERWISE SPECIFIED	TOLERANCES UNLESS SPECIFIED	.XX ± 0.03 .XXX ± 0.010
MATERIAL: FIBERGLASS REINFORCED POLYESTER (FRP)			 STAHLIN A DIVISION OF ROBROY INDUSTRIES <i>Stahlin Non-Metallic Enclosures</i> 500 Maple Street Belding, Michigan 48809 Phone: 616-794-0700 Fax: 616-749-3378		
DRAWN BY: DRH	DATE: 12/11/2013	CUSTOMER:			
SCALE: DO NOT SCALE		DESCRIPTION: STANDARD ENCLOSURE	PART NUMBER: J24243PT		