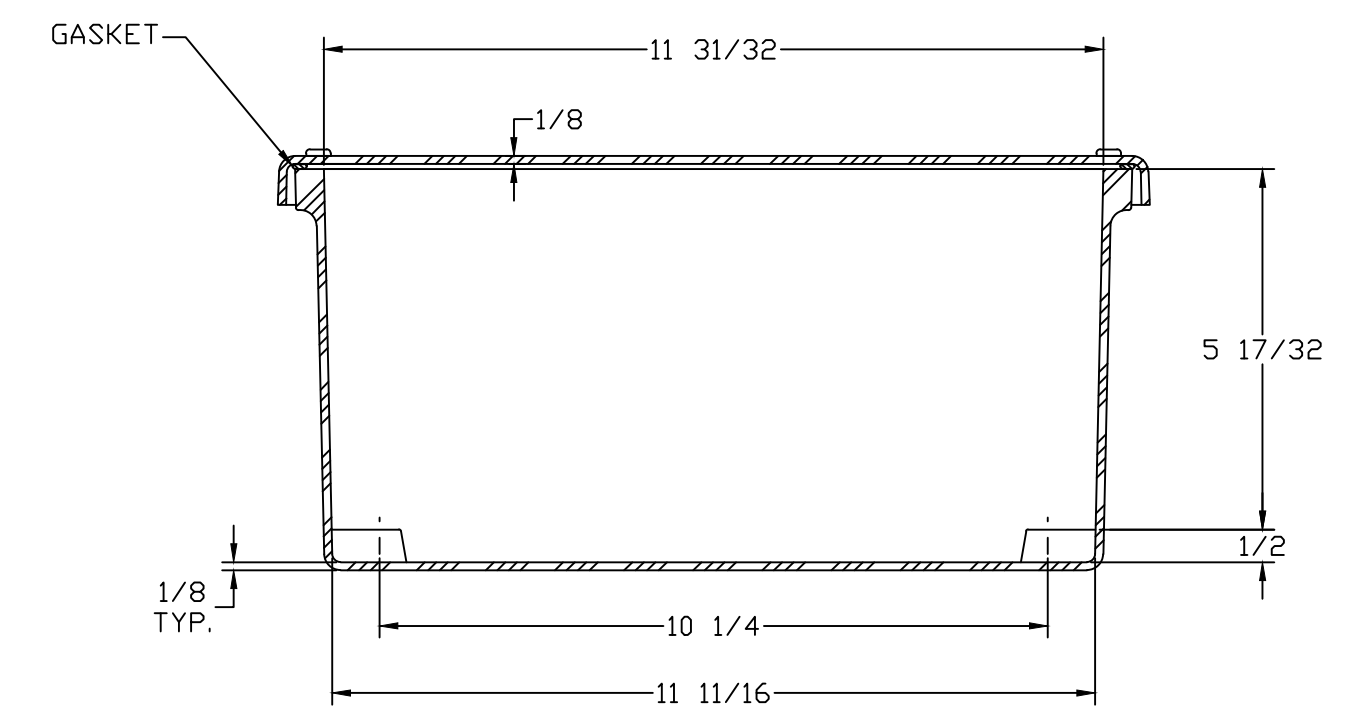
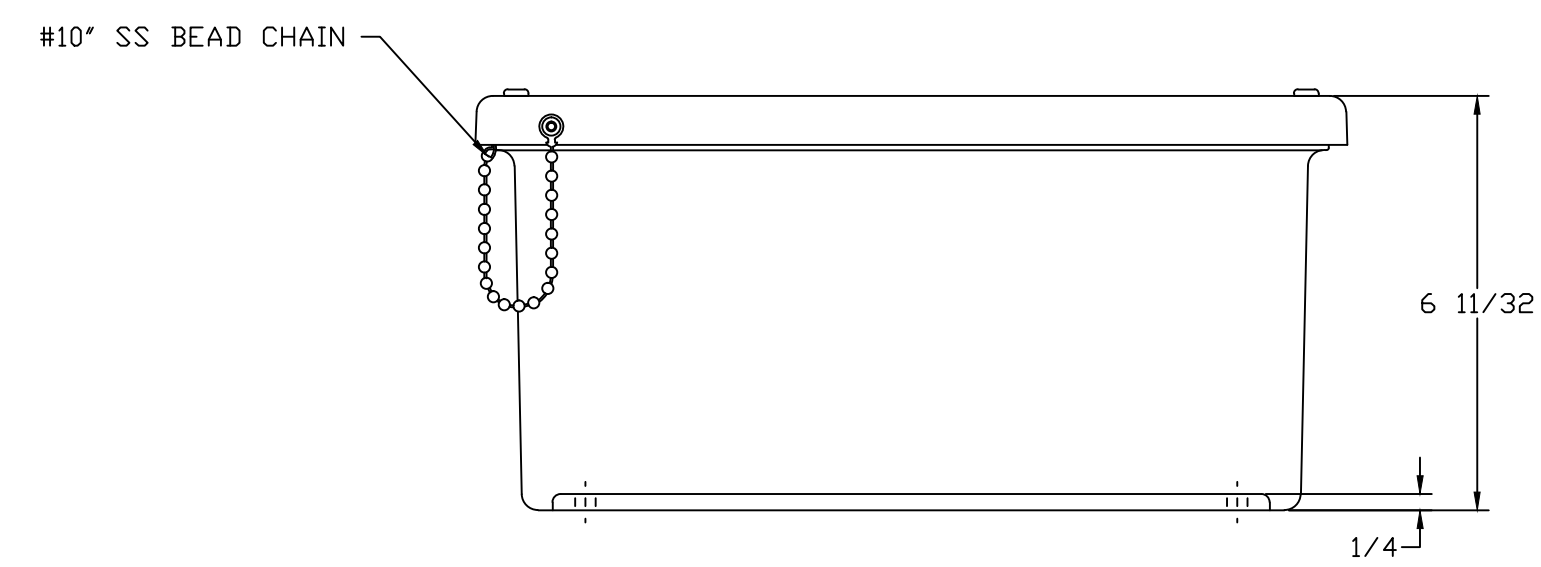


SECTION B-B



SECTION A-A

NOTES:

COLOR: GLACIER GRAY RR3013		TOLERANCES UNLESS SPECIFIED		DECIMAL ±	FRACTIONAL ±
NEMA 1, 3R, 4X, 6P, 12					
MATERIAL	F.R. POLYESTER FIBERGLASS	DR. BY	ZJB	DATE	7/3/04
LET.	REVISION RECORD	DATE	BY	CHK. BY	CHD.
		APD. BY		DATE	
		SCALE	PART NAME		PART NO.
		DO NOT SCALE	ENCLOSURE		J1212W

STAHLIN
ENCLOSURES
DIVISION OF ROBROY INDUSTRIES

BELDING, MICHIGAN
48809

AutoCAD DWG. FILE
J1212W