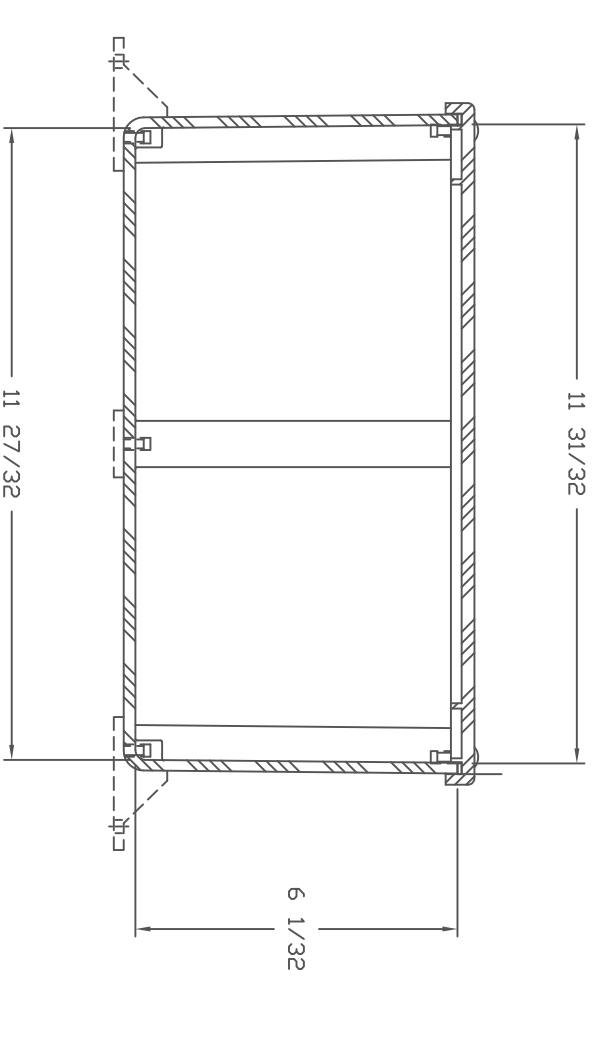
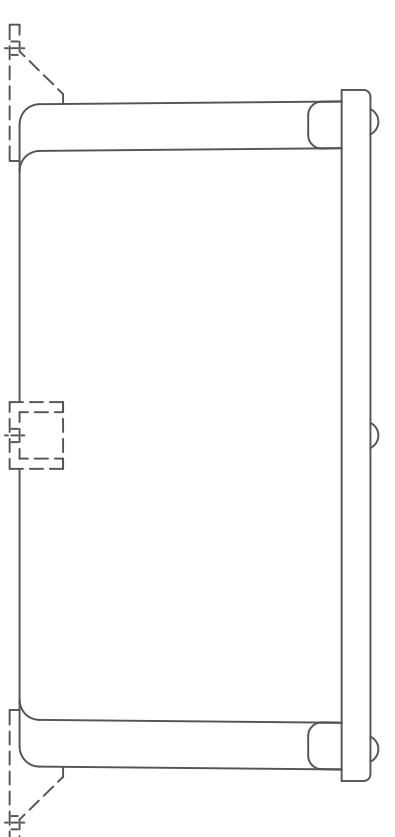


SECTION B-B



SECTION A-A

NOTES

MODIFIED J12126PVC CULDR GLACIER GRAY RR1013		TOLERANCES	
NEMA 4X		UNLESS SPECIFIED	DECIMAL FRACTIONAL
		±.010	± 1/32

MATERIAL	F.R. POLYESTER FIBERGLASS	DR. BY	DATE
LET.	REVISION RECORD	GF	6/13/04
		CHK. BY	DATE
		APP. BY	DATE
		SCALE	PART NAME
		DO NOT SCALE	ENCLOSURE
			PART NO.
			J12126PVC



BEIJING MICHIGAN 48909
Autocad DWG FILE