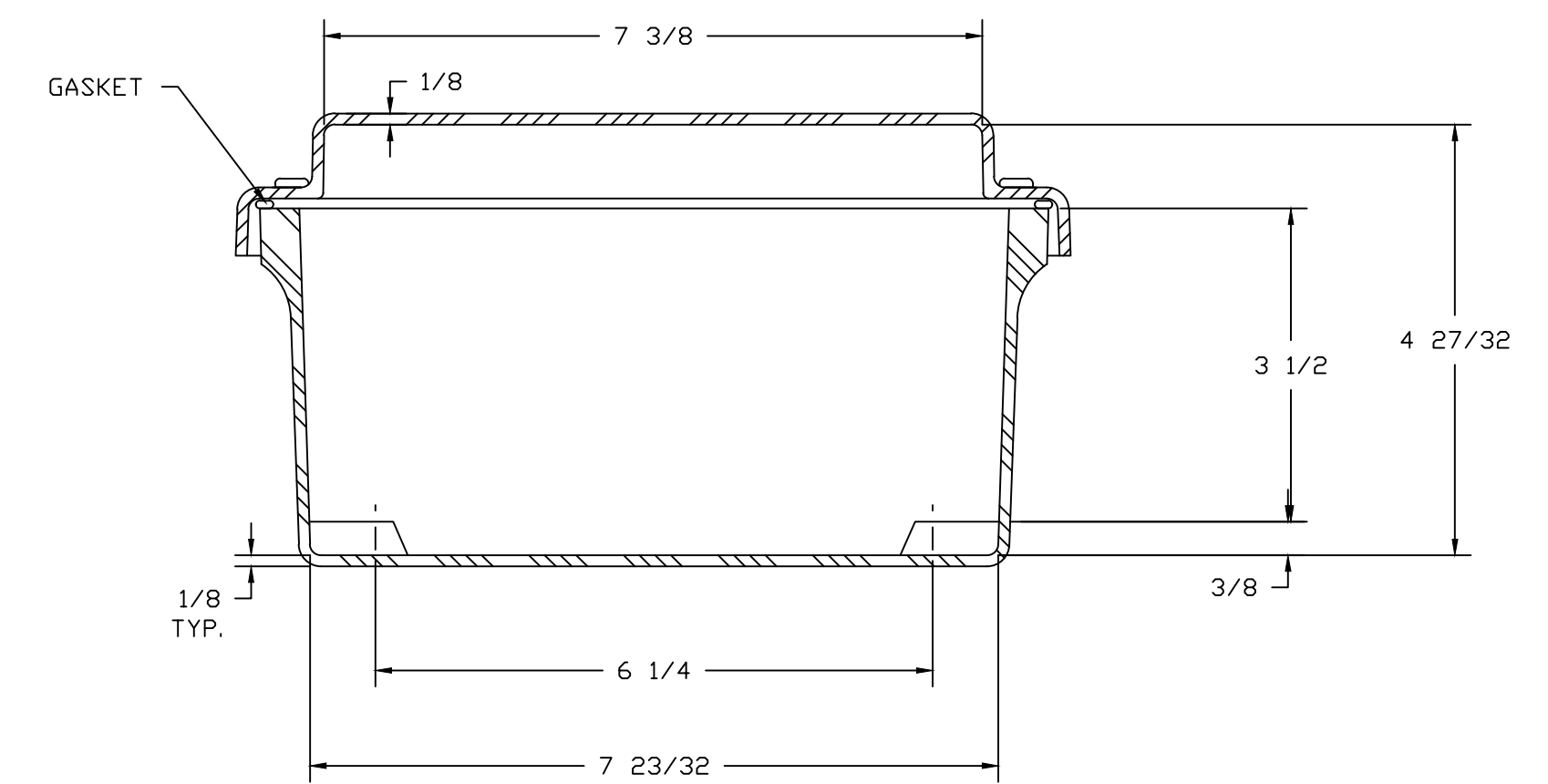
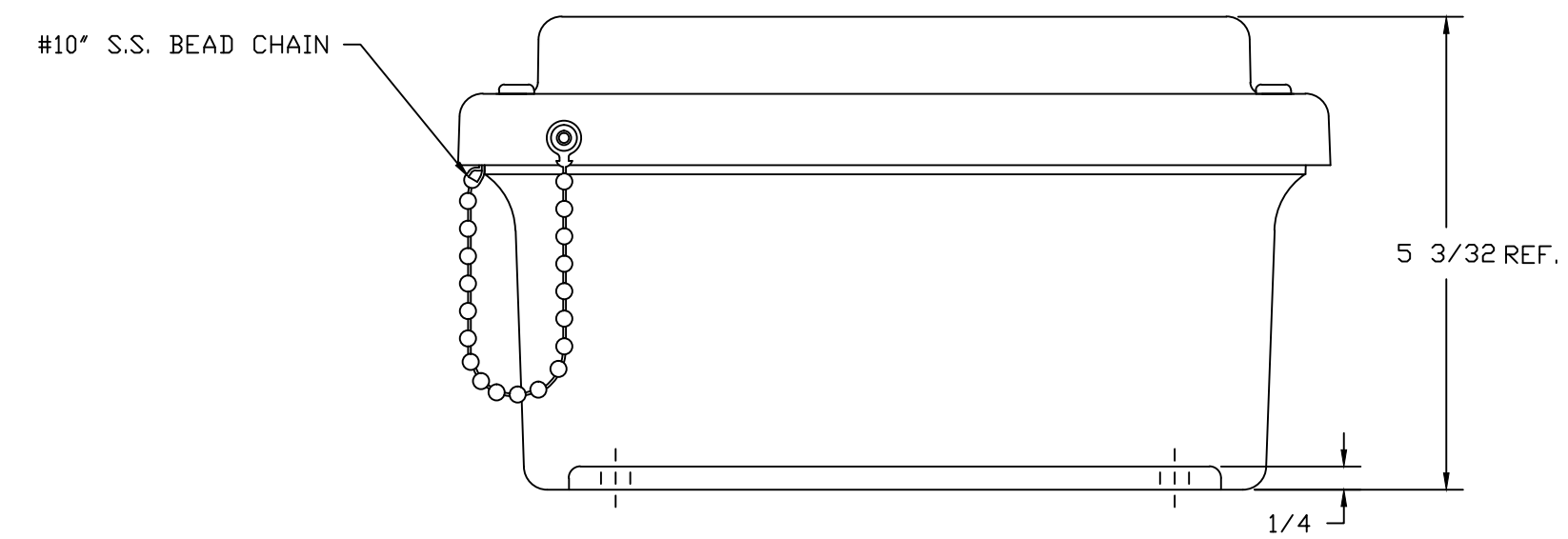



SECTION B-B



SECTION A-A

NOTES:

NEMA 4X		TOLERANCES UNLESS SPECIFIED		DECIMAL ± .010	FRACTIONAL ± 1/32
COLOR: GLACIER GRAY RR1013					
MATERIAL	F.R. POLYESTER FIBERGLASS	DR. BY	SH	DATE	2/27/91
LET.	REVISION RECORD	DATE	BY	CHK. BY	DATE
				APD. BY	DATE
		SCALE		PART NAME	PART NO.
		DO NOT SCALE		ENCLOSURE	J1008WA



STAHLIN
ENCLOSURES
DIVISION OF ROBOBY INDUSTRIES

BELDING, MICHIGAN 48809

AutoCAD DWG. FILE
J1008WA