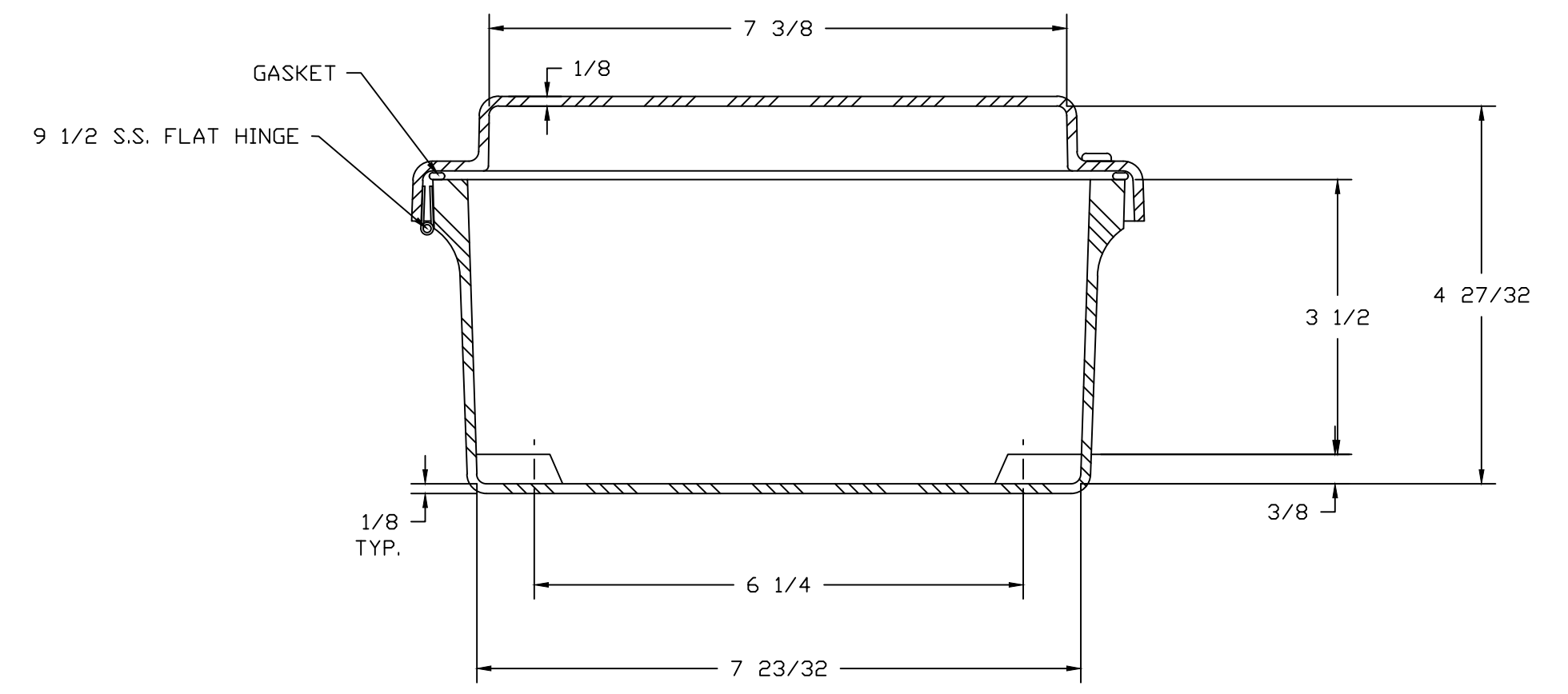
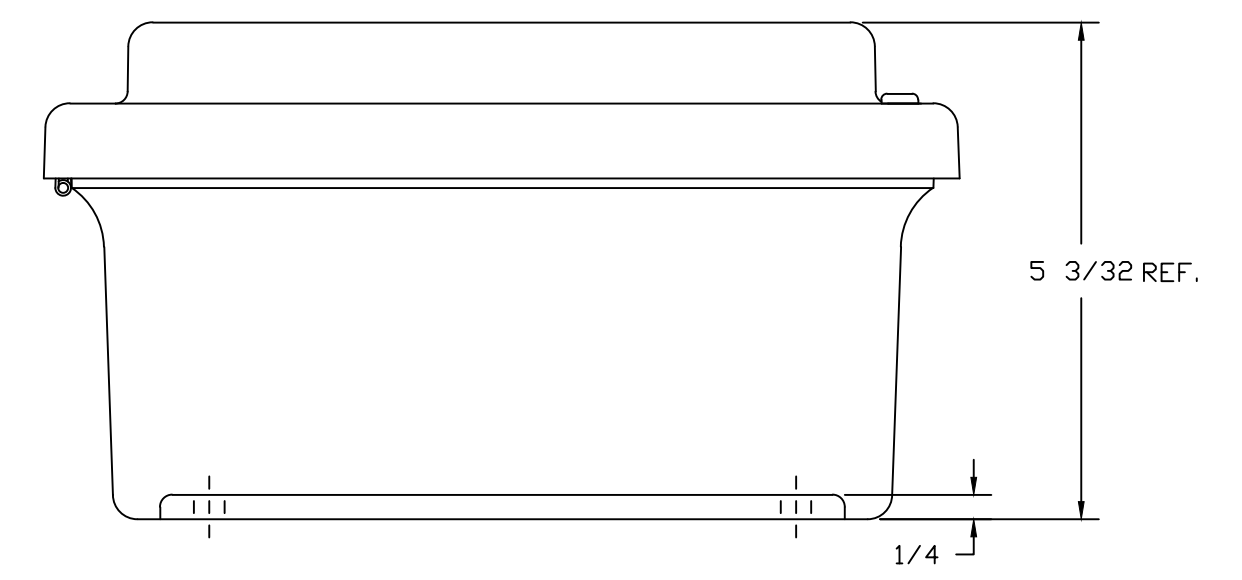



SECTION B-B



SECTION A-A

NOTES:

NEMA 4X		TOLERANCES UNLESS SPECIFIED		DECIMAL $\pm .010$	FRACTIONAL $\pm 1/32$
COLOR: GLACIER GRAY RR1013					
MATERIAL	F.R. POLYESTER FIBERGLASS	DR. BY	SH	DATE	2/27/91
LET.	REVISION RECORD	DATE	BY	CHK. BY	DATE
				APD. BY	DATE
		SCALE		PART NAME	PART NO.
		DO NOT SCALE		ENCLOSURE	J1008HWA



STAHLIN
ENCLOSURES
DIVISION OF ROBBY INDUSTRIES

BELDING, MICHIGAN
48809

AutoCAD DWG. FILE
J1008HWA