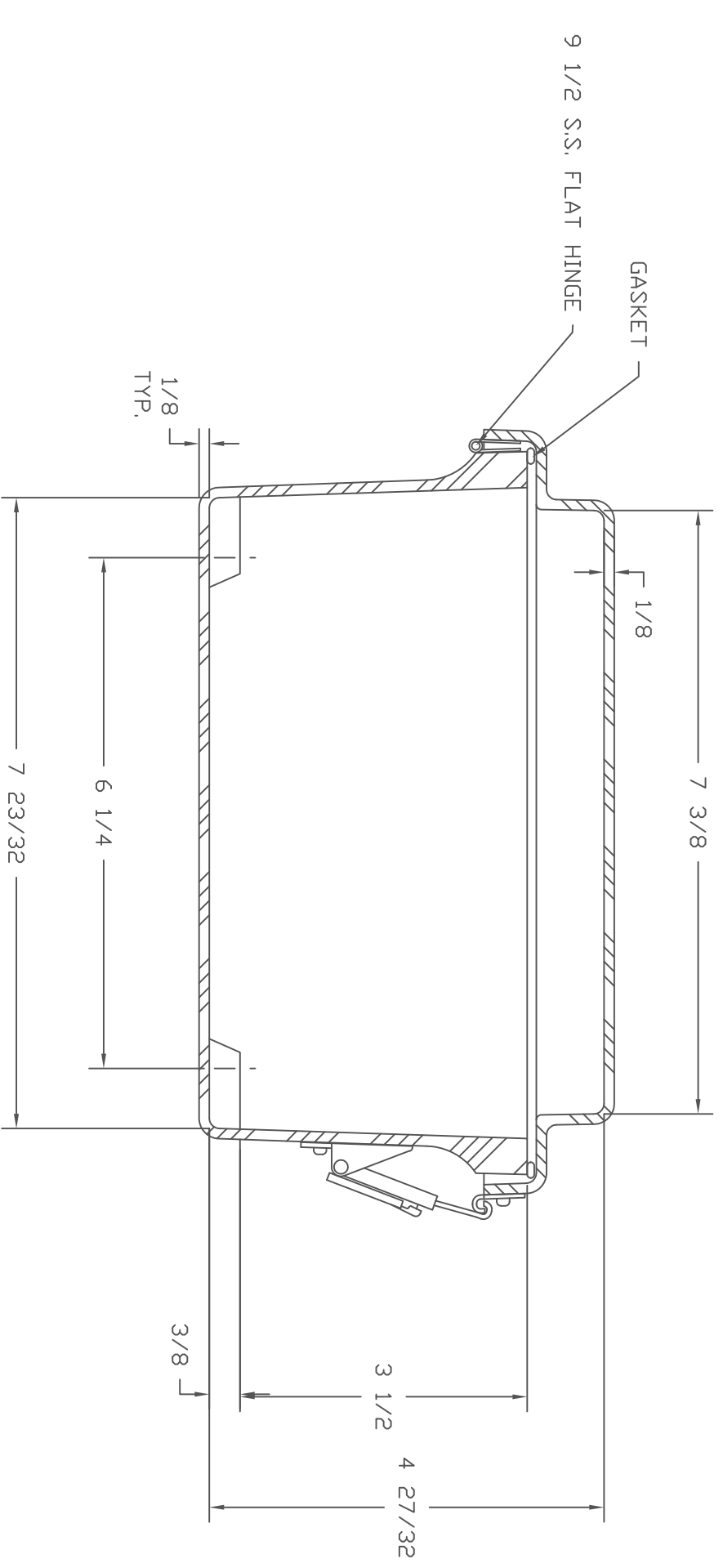
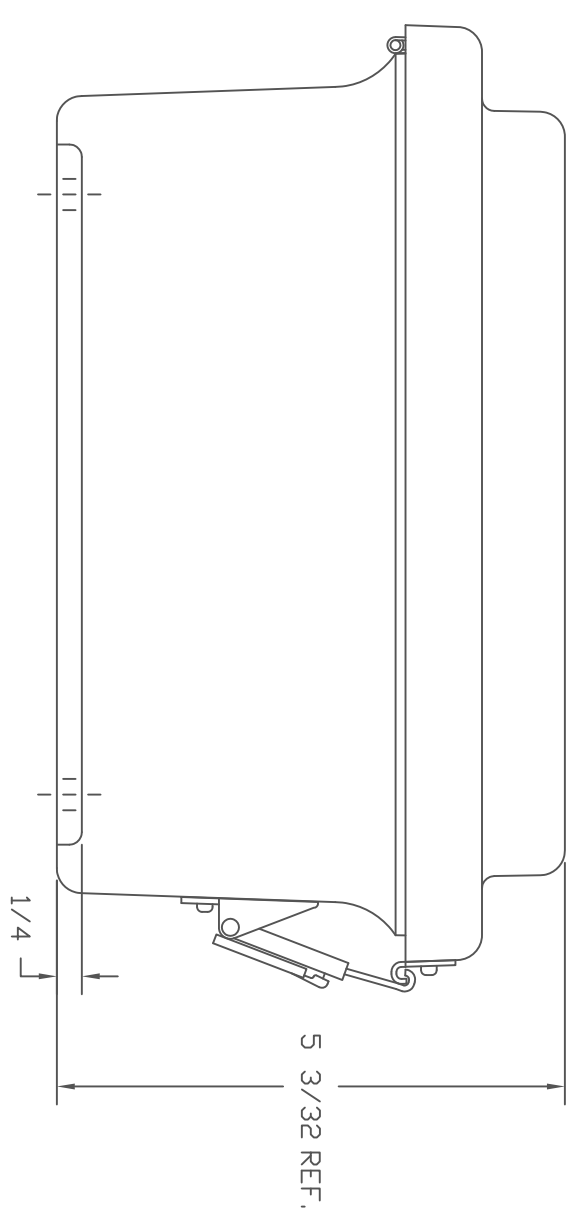


SECTION B-B



SECTION A-A

NOTES:

NEMA 4X		TOLERANCES	
COLOR: GLACIER GRAY RR013		UNLESS SPECIFIED	
		DECIMAL	FRACTIONAL
		± .010	± 1/32
MATERIAL	F.R. POLYESTER FIBERGLASS	DR. BY	DATE
LET.	REVISION RECORD	SH. BY	2/27/91
		CHK. BY	DATE
		APP'D. BY	DATE
		SCALE	PART NAME
		DD NOT SCALE	ENCLOSURE
			PART NO.
			J1008HALL
DIVISION OF KERR/HAZARD		AUTOCAD DWG FILE	