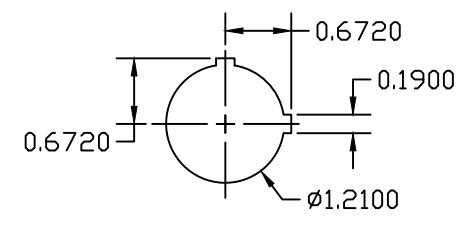
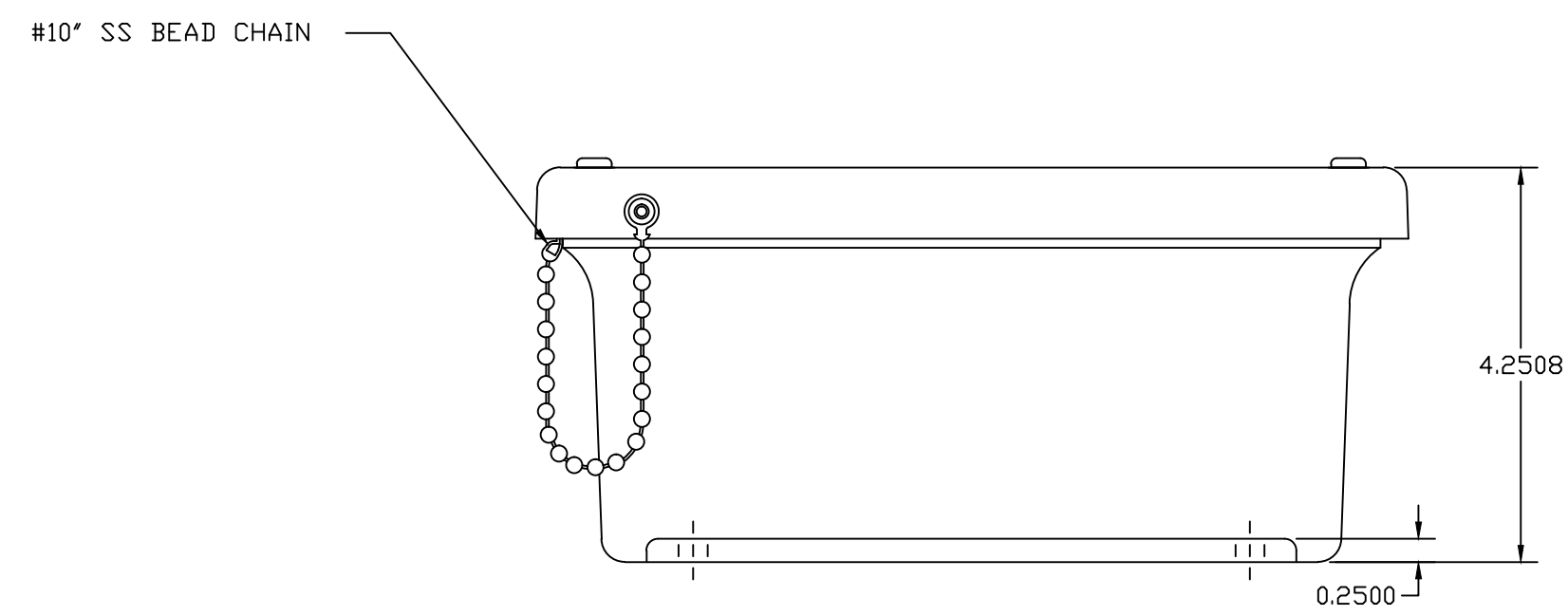
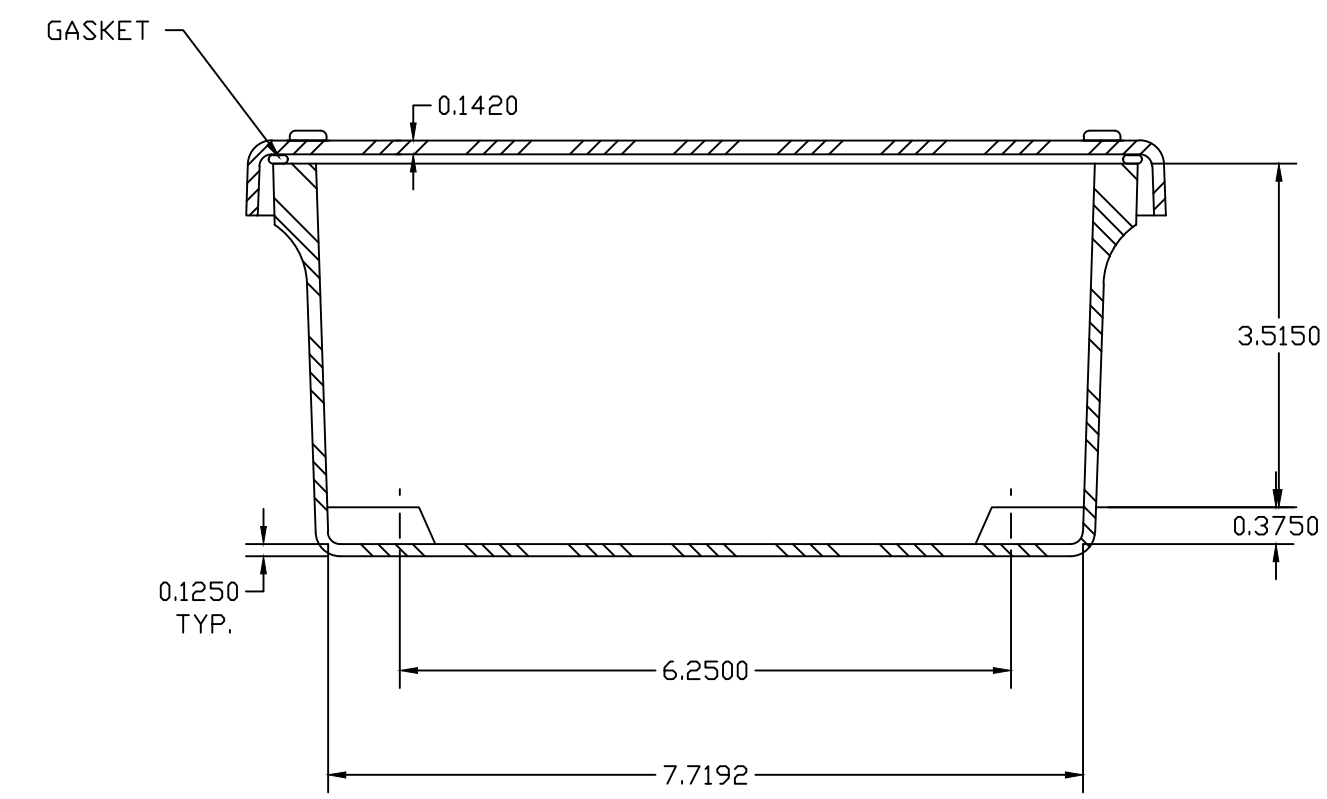


SECTION B-B




DETAIL A



SECTION A-A

NOTES:

NEMA 4X COLOR: GLACIER GRAY RR1013						TOLERANCES UNLESS SPECIFIED		DECIMAL ± .010	FRACTIONAL ± 1/32
GROUND STRAP TO BE FURNISHED WITH ENCLOSURE									
MATERIAL		DR. BY		DATE		 BELDING, MICHIGAN 48809 DIVISION OF ROBROY INDUSTRIES			
F.R. POLYESTER FIBERGLASS		S. H.		6/28/91					
LET.	REVISION RECORD	DATE	BY	CHD.	CHK. BY	DATE	CUSTOMER		AutoCAD DWG. FILE
							F9PBW		
SCALE						PART NAME		PART NO.	
DO NOT SCALE						ENCLOSURE		F9PBW	