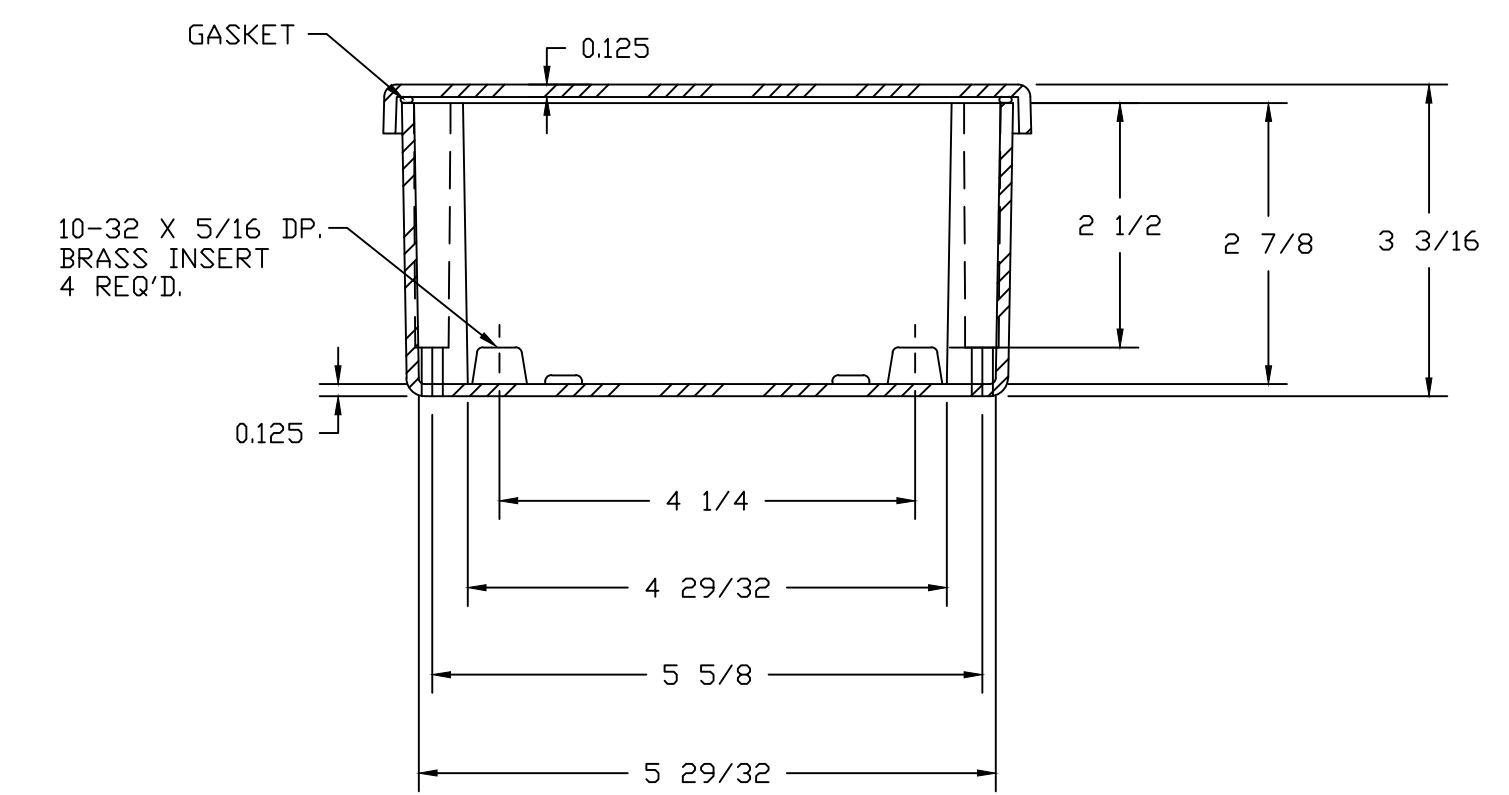
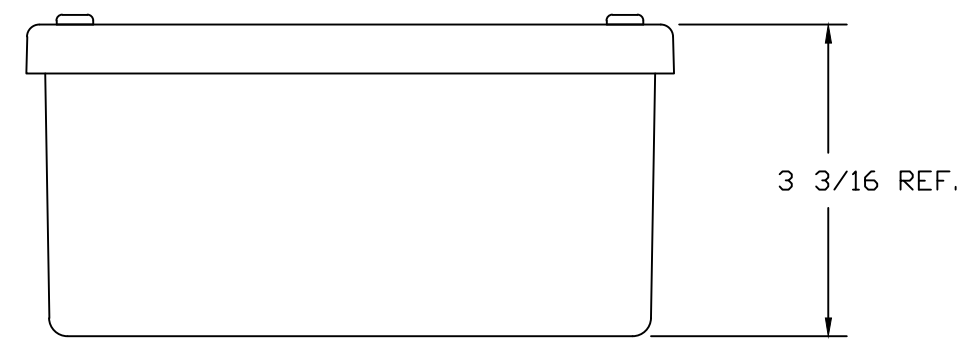



SECTION B-B



SECTION A-A

NOTES:

NEMA 4X		TOLERANCES UNLESS SPECIFIED		DECIMAL ± .010	FRACTIONAL ± 1/32
COLD R. GLACIER GRAY RR1013		DR. BY GF	DATE 7/23/93	 <b>STAHLIN ENCLOSURES</b> DIVISION OF ROBOBY INDUSTRIES	
MATERIAL F.R. POLYESTER FIBERGLASS		CHK. BY	DATE		
LET.	REVISION RECORD	DATE	BY	CHD.	APD. BY
					DATE
		SCALE DO NOT SCALE		PART NAME ENCLOSURE	PART NO. F963

AutoCAD DWG. FILE F963