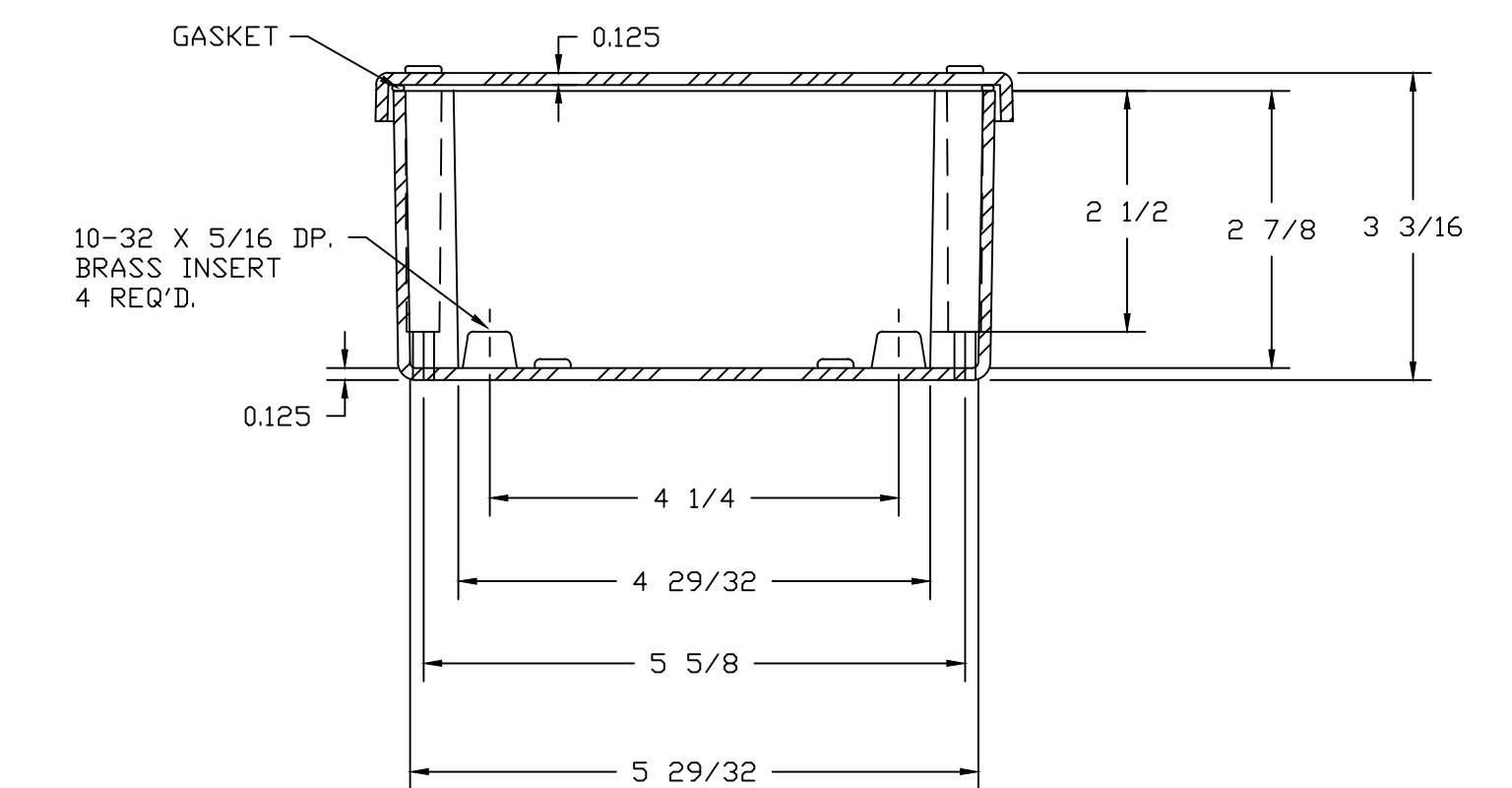
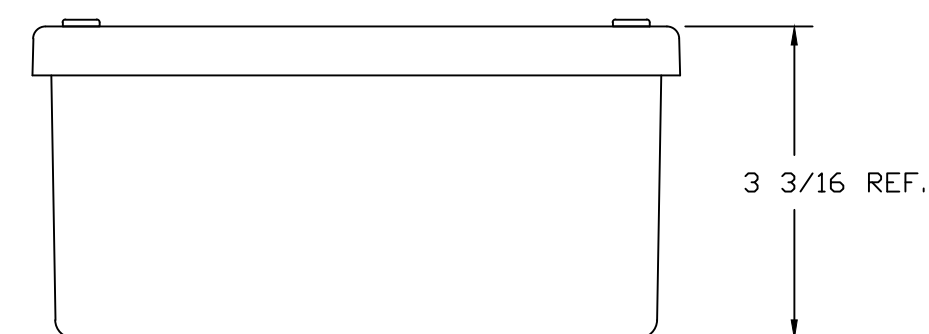



SECTION B-B



SECTION A-A

NEMA 4X										TOLERANCES UNLESS SPECIFIED		DECIMAL ± .010	FRACTIONAL ± 1/32
COLD R. GLACIER GRAY RR1013													
MATERIAL F.R. POLYESTER FIBERGLASS								DR. BY L.B.	DATE 10/22/07	 STAHLIN ENCLLOSURES DIVISION OF ROBOBY INDUSTRIES			
LET.	REVISION RECORD	DATE	BY	CHD.	CHK. BY	DATE	APD. BY	DATE					
									CUSTOMER		BELDING, MICHIGAN 48809		
								SCALE DO NOT SCALE		PART NAME ENCLOSURE		PART NO. F763	
										AutoCAD DWG. FILE		F763	