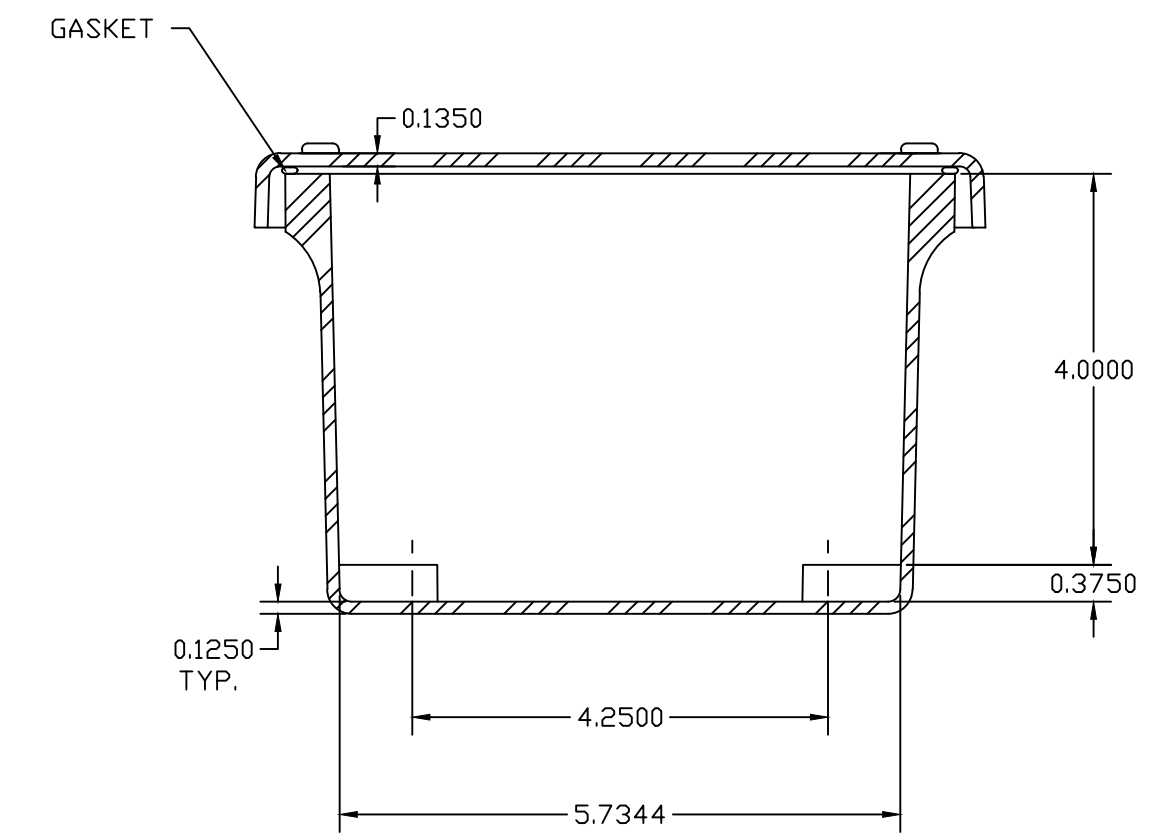
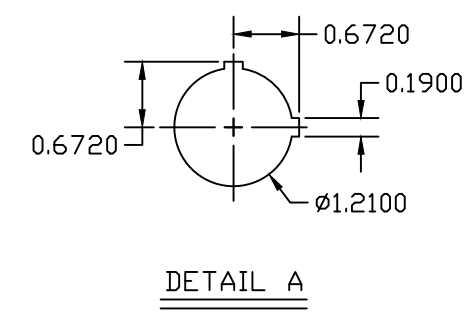
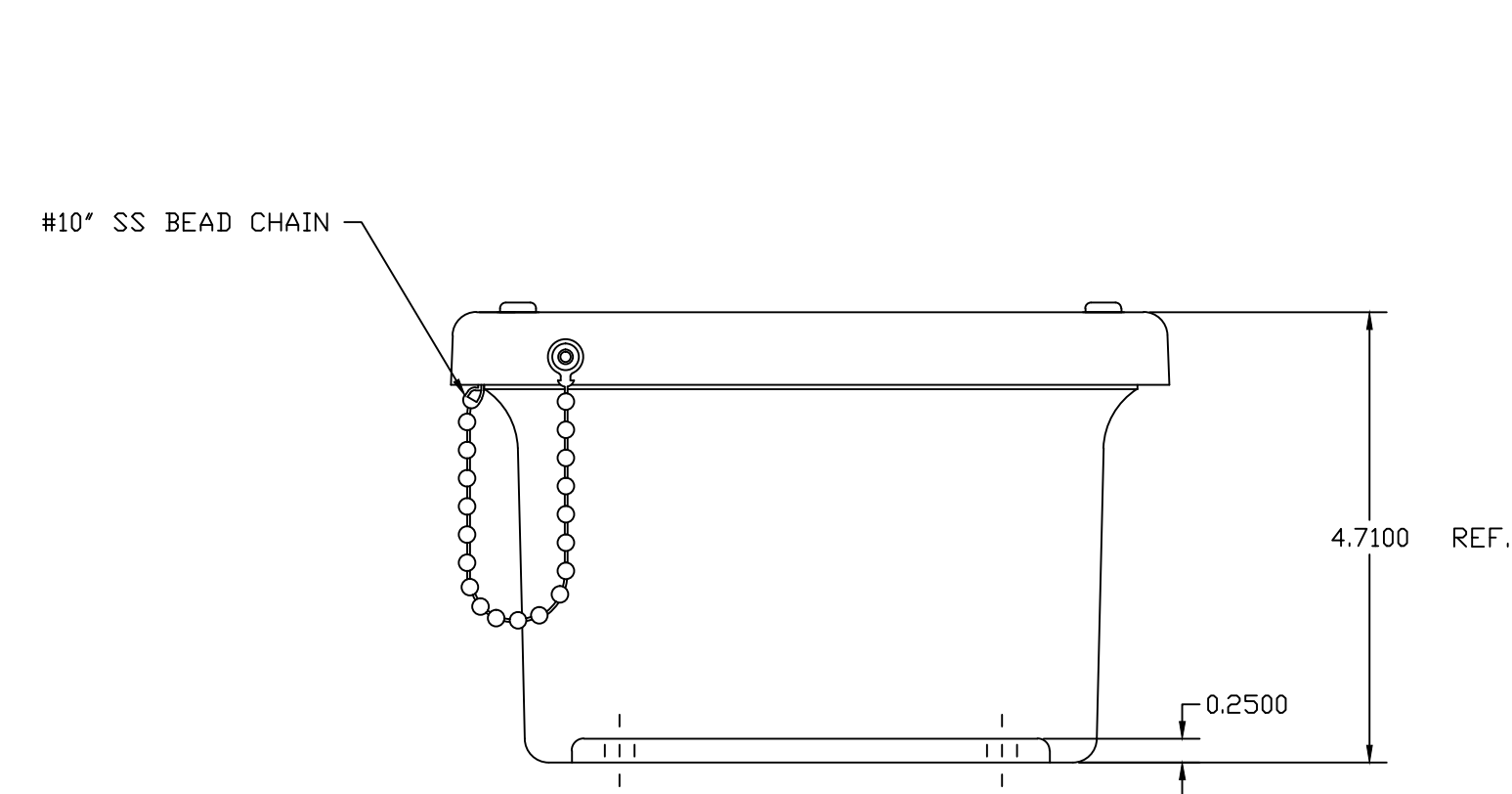


SECTION B-B



SECTION A-A

NOTES:

NEMA 4X COLOR GLACIER GRAY RR1013						TOLERANCES UNLESS SPECIFIED		DECIMAL ± .010	FRACTIONAL ± 1/32
GROUND STRAP TO BE FURNISHED WITH ENCLOSURE									
MATERIAL	F.R. POLYESTER FIBERGLASS			DR. BY SH	DATE 6/28/91				
LET.	REVISION RECORD	DATE	BY	CHK. BY	DATE				
APD. BY						DATE	CUSTOMER		AutoCAD DWG. FILE
SCALE DO NOT SCALE						PART NAME ENCLOSURE		PART NO. F6PBW	BELDING, MICHIGAN 48809