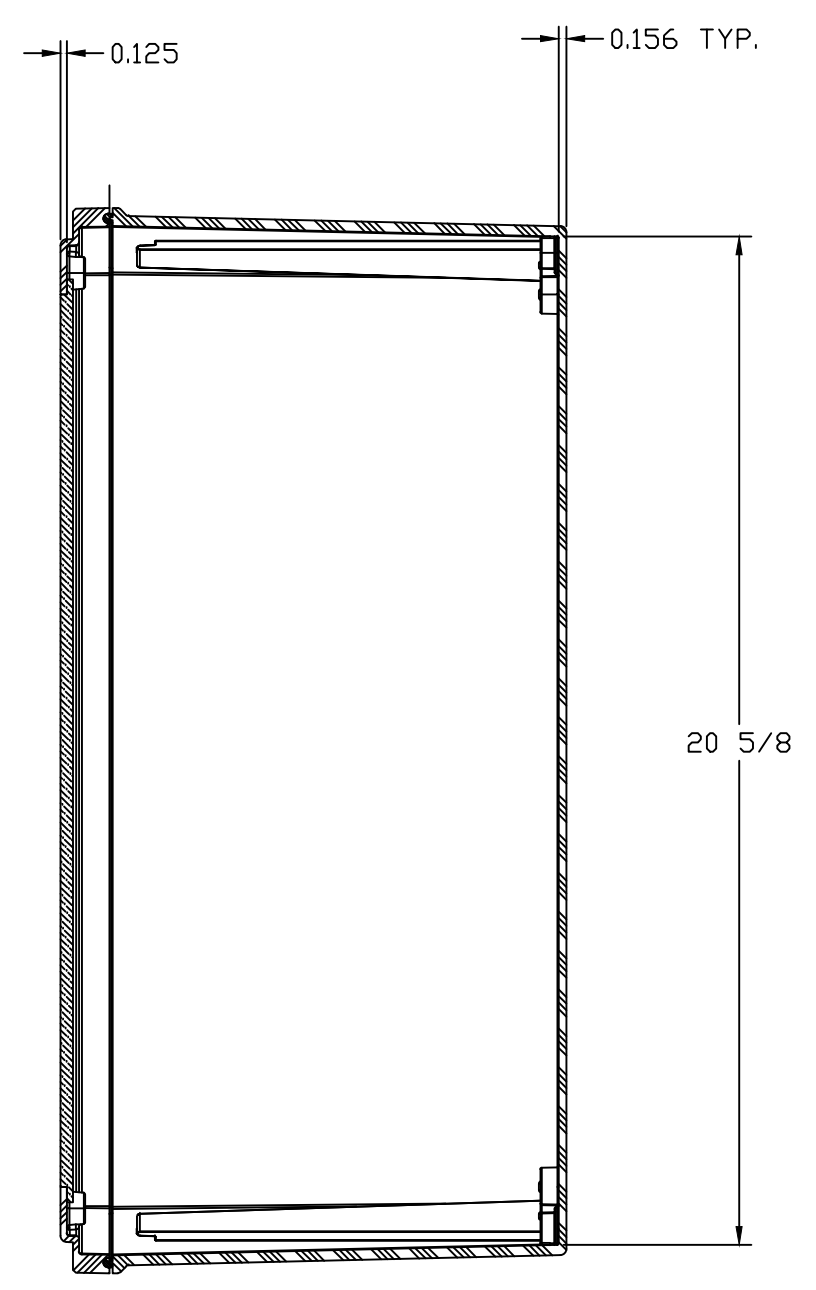
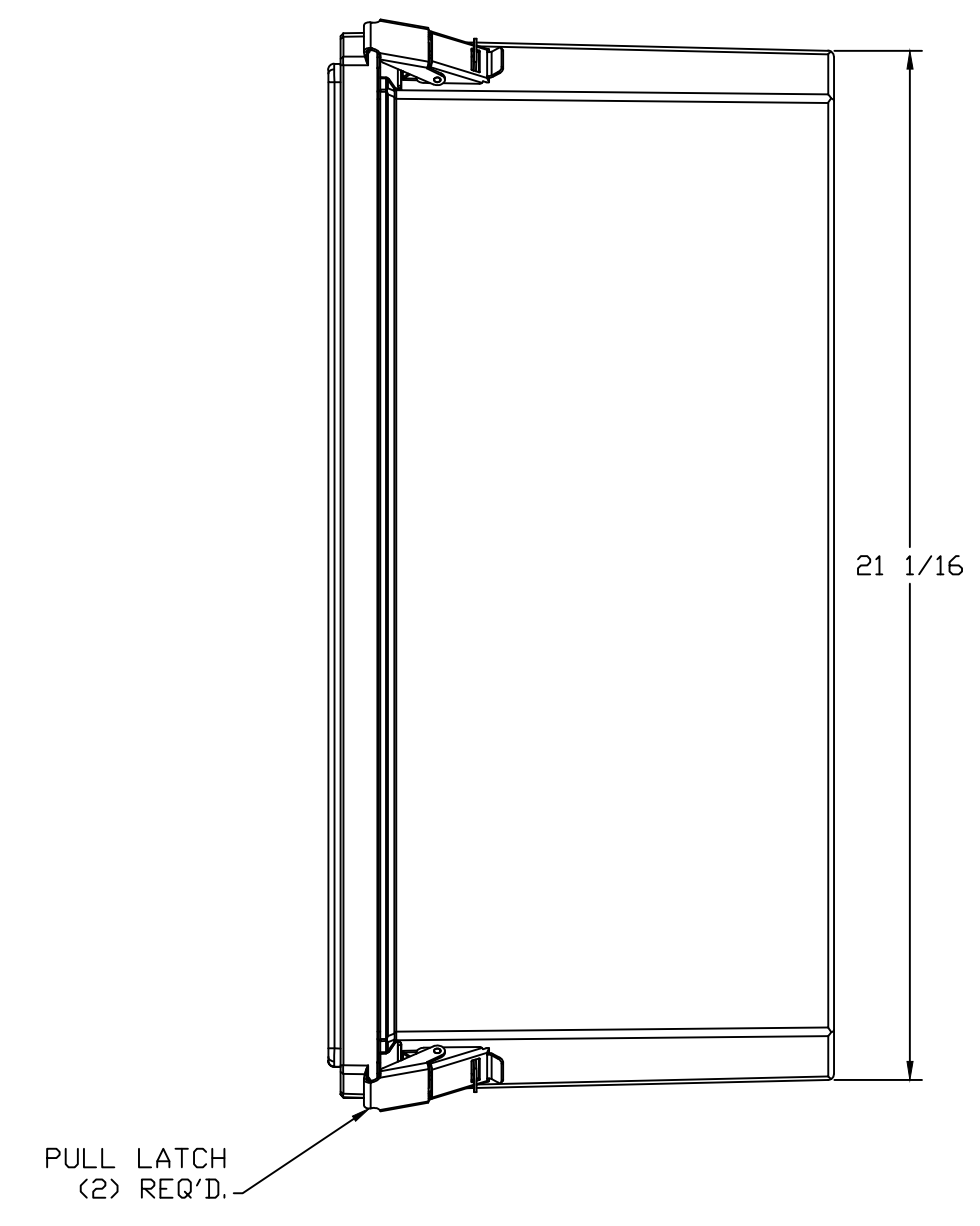
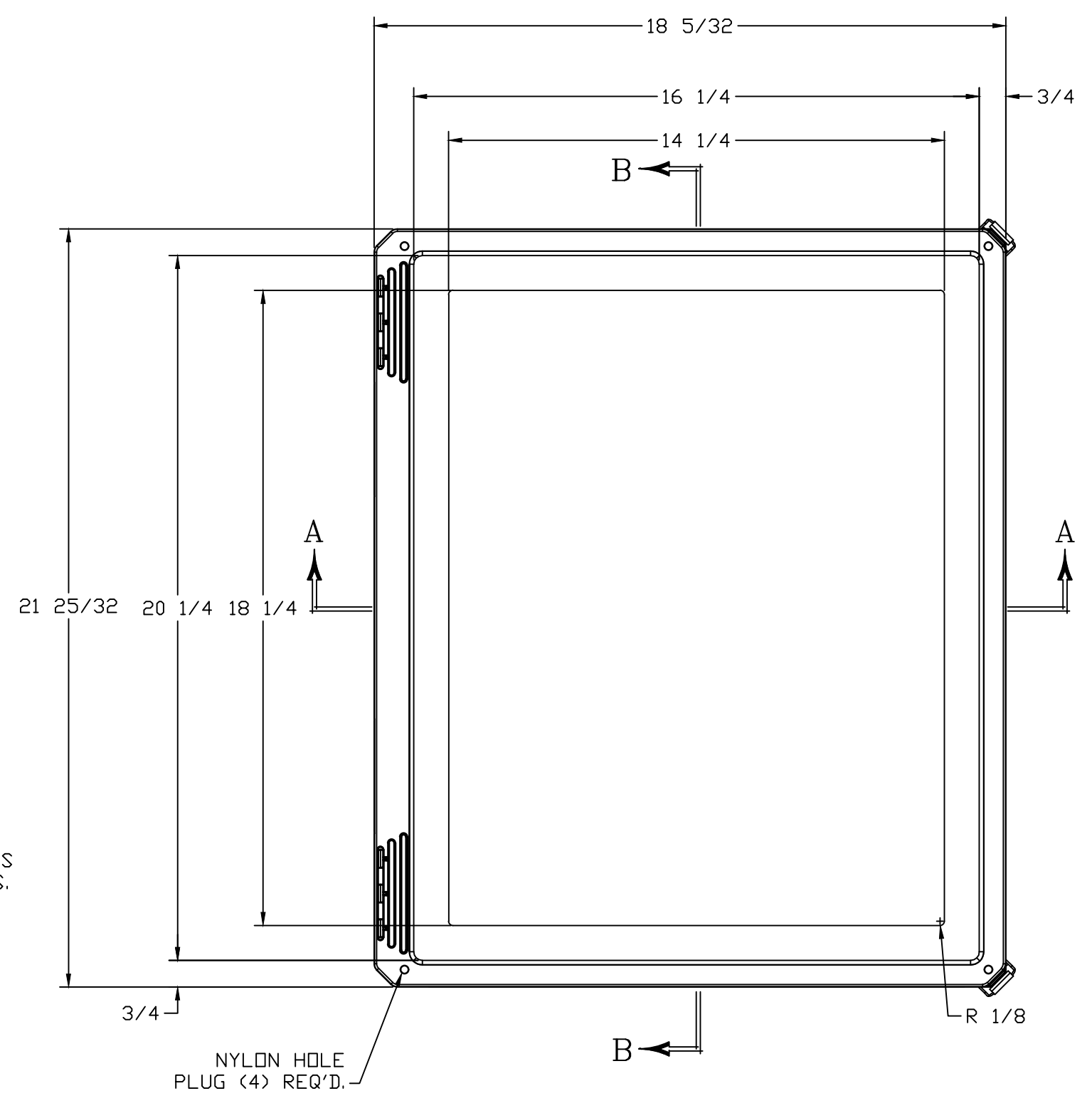
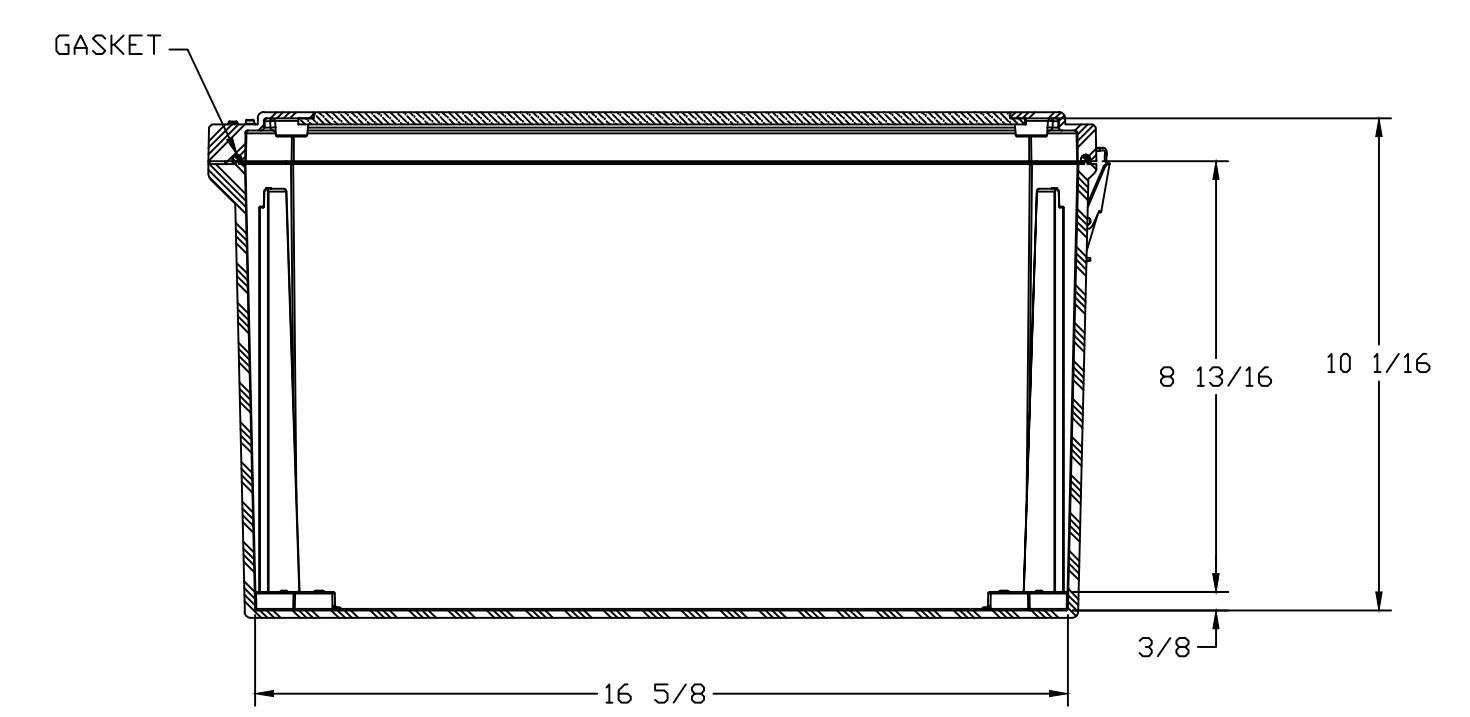
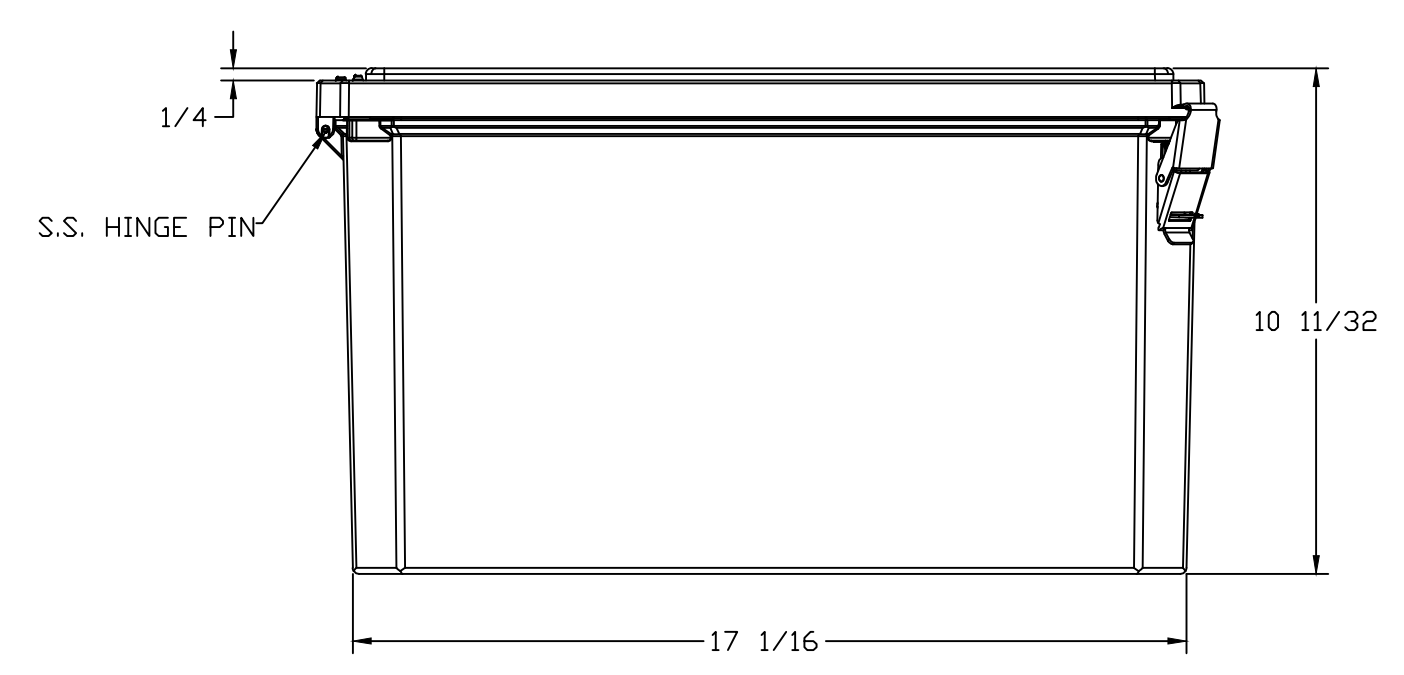


WITH COVER REMOVED



SECTION B-B



SECTION A-A

NOTES:

NEMA 1, 3, 3S, 4X, 12, 12 IP66		TOLERANCES UNLESS SPECIFIED		DECIMAL ±	FRACTIONAL ±
MATERIAL		DR. BY	DATE	COLOR GLACIER GRAY RR1013	
F.R. POLYESTER FIBERGLASS		ZJB	6/16/03		
LET.	REVISION RECORD	DATE	BY	CHK. BY	DATE
				APD. BY	DATE
SCALE DO NOT SCALE		PART NAME		CUSTOMER	STAHLIN
		ENCLOSURE		PART NO.	DSW201610HPL

STAHLIN ENCLOSURES DIVISION OF ROBROY INDUSTRIES

BELDING, MICHIGAN 48809

AutoCAD DWG. FILE DSW201610HPL