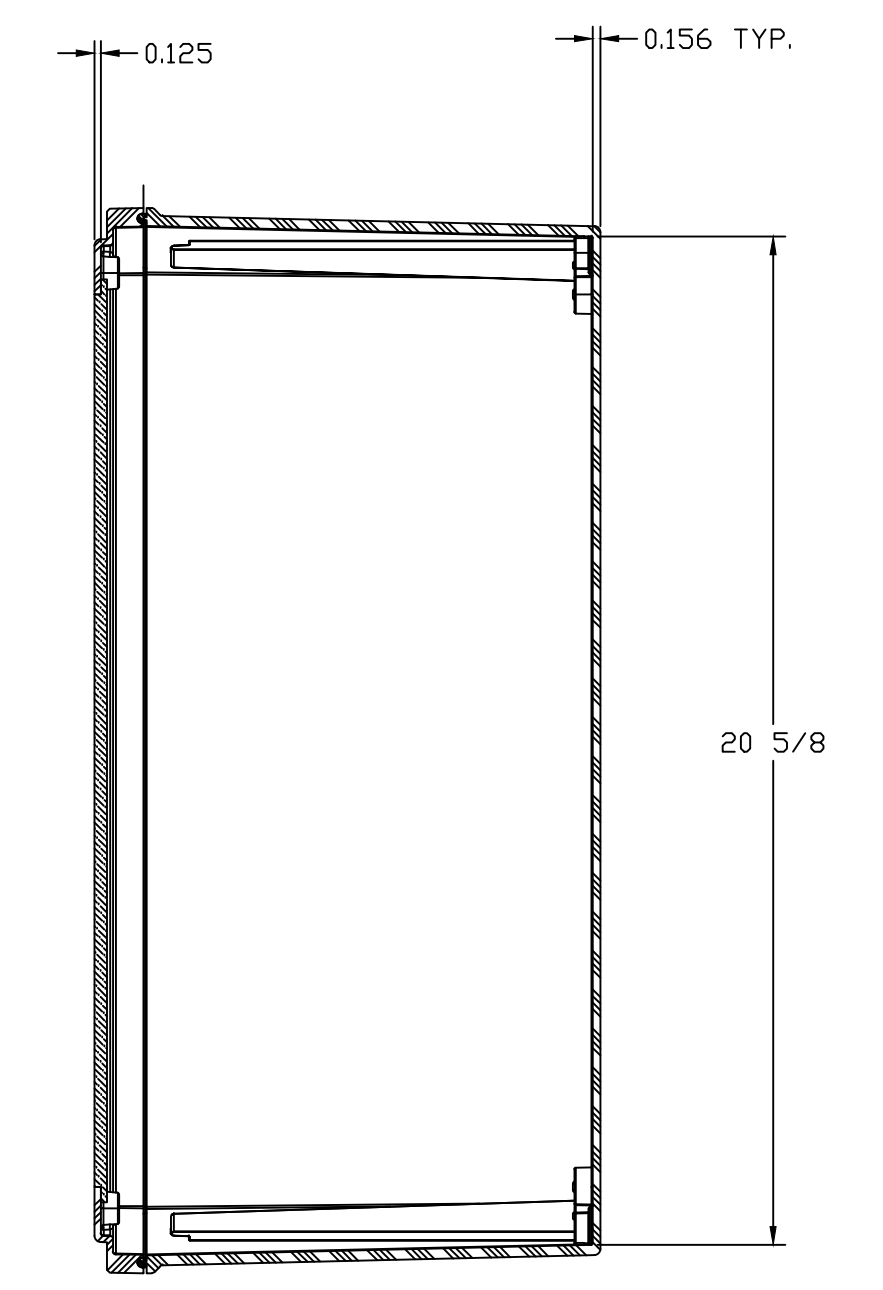
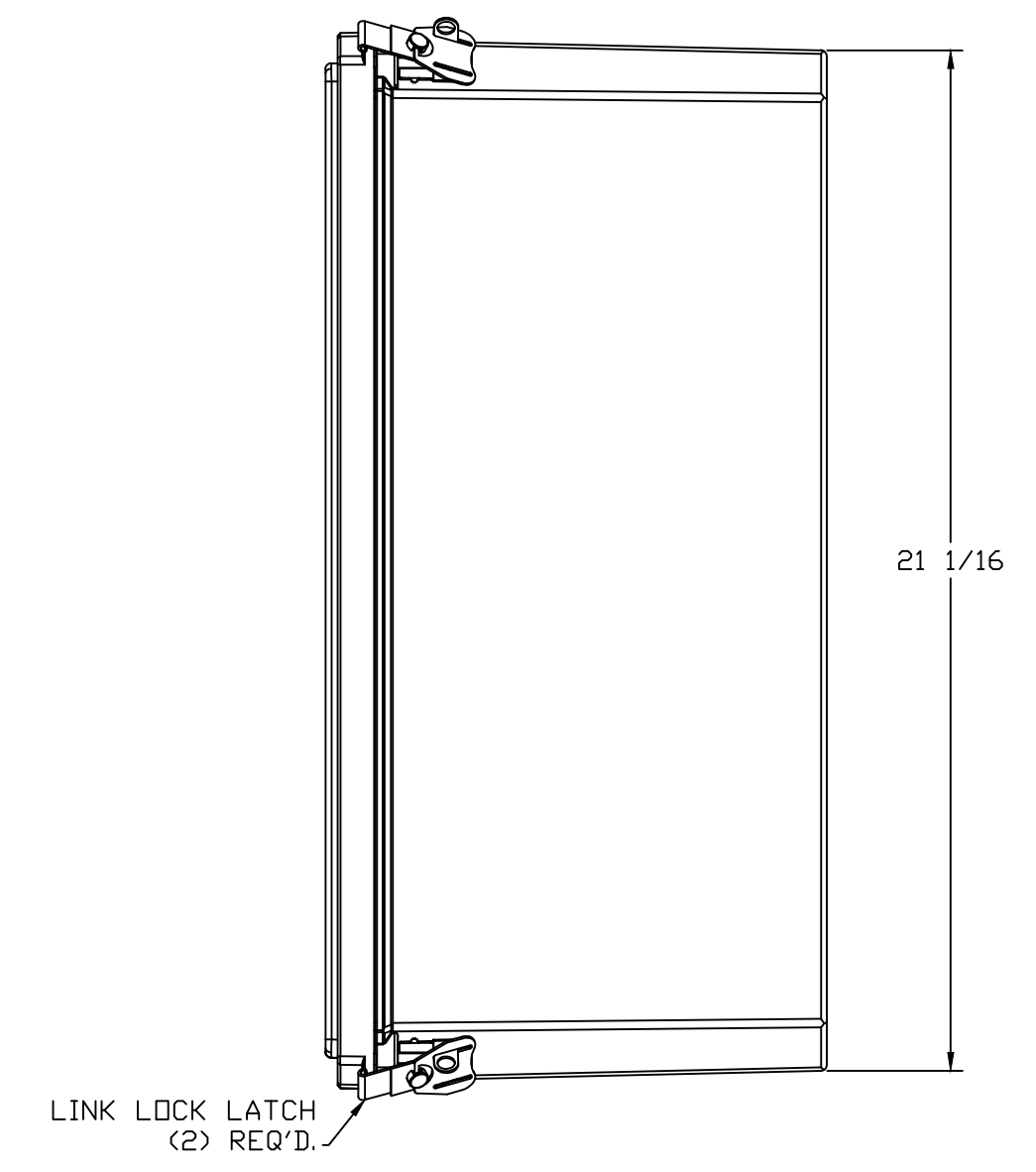
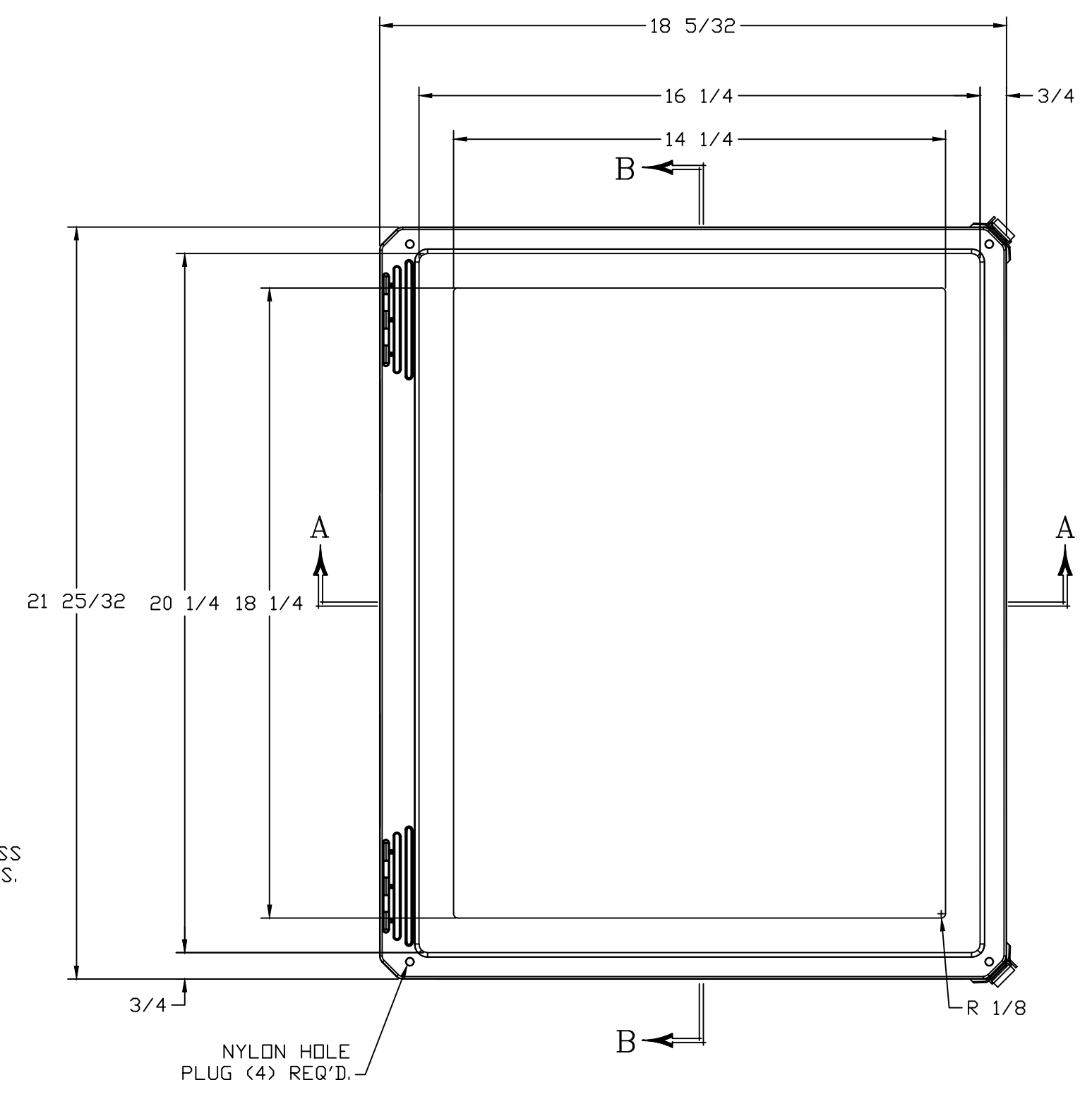
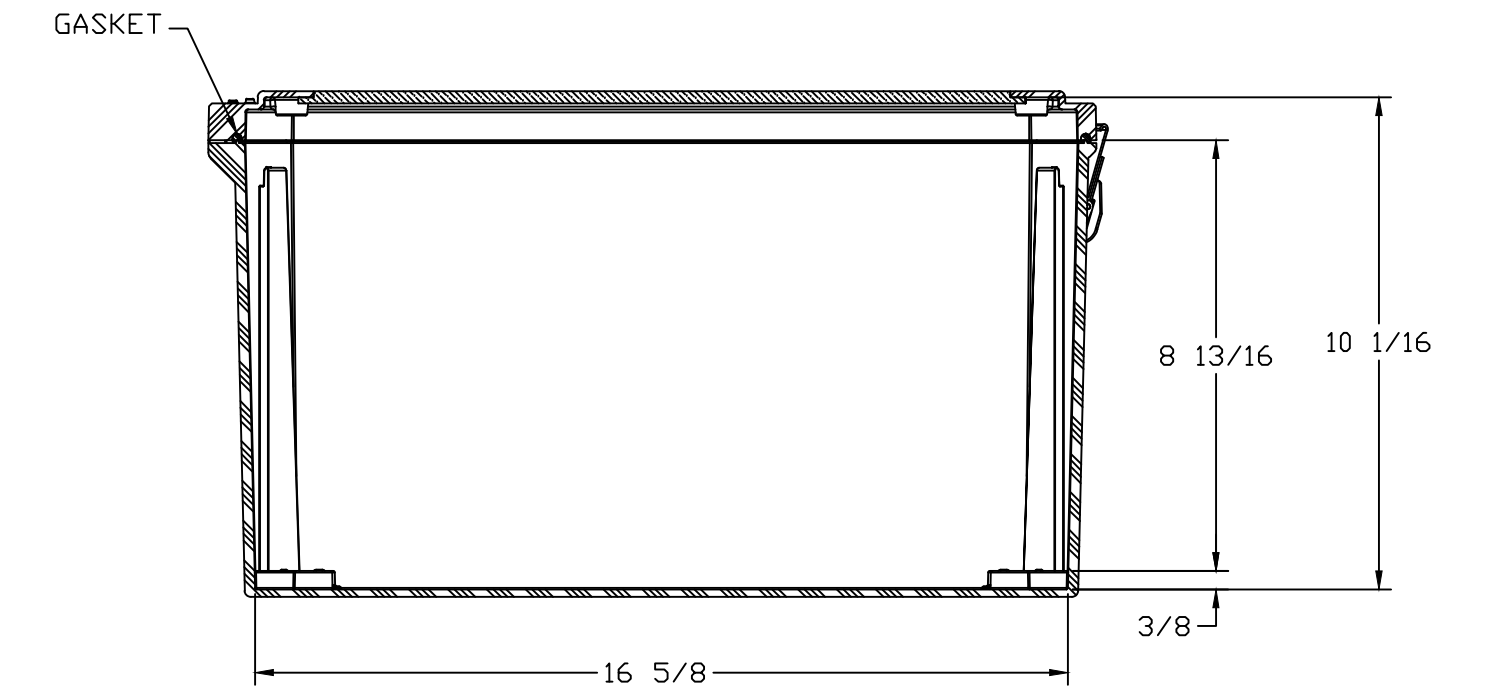
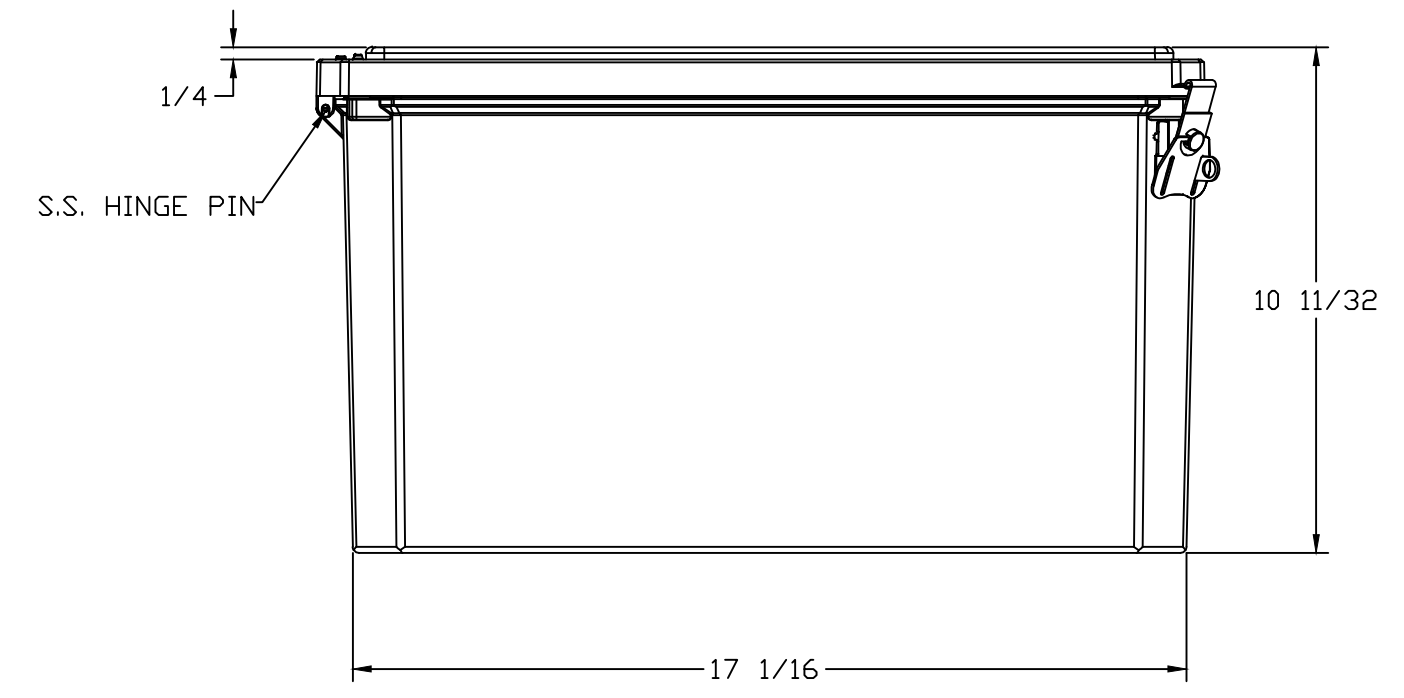


WITH COVER REMOVED




SECTION B-B



SECTION A-A

NOTES:

NEMA 1, 3, 3S, 4X, 12, 13 IP66		TOLERANCES UNLESS SPECIFIED		DECIMAL ±	FRACTIONAL ±
COLOR GLACIER GRAY RR1013		DR. BY ZJB	DATE 6/16/03	 BELDING, MICHIGAN 48809 DIVISION OF ROBROY INDUSTRIES	
MATERIAL F.R. POLYESTER FIBERGLASS		CHK. BY	DATE		
LET.	REVISION RECORD	DATE	BY	CHD.	APD. BY
					DATE
SCALE DO NOT SCALE		PART NAME ENCLOSURE		PART NO.	AutoCAD DWG. FILE DSW201610HLL
				STAHLIN	DSW201610HLL