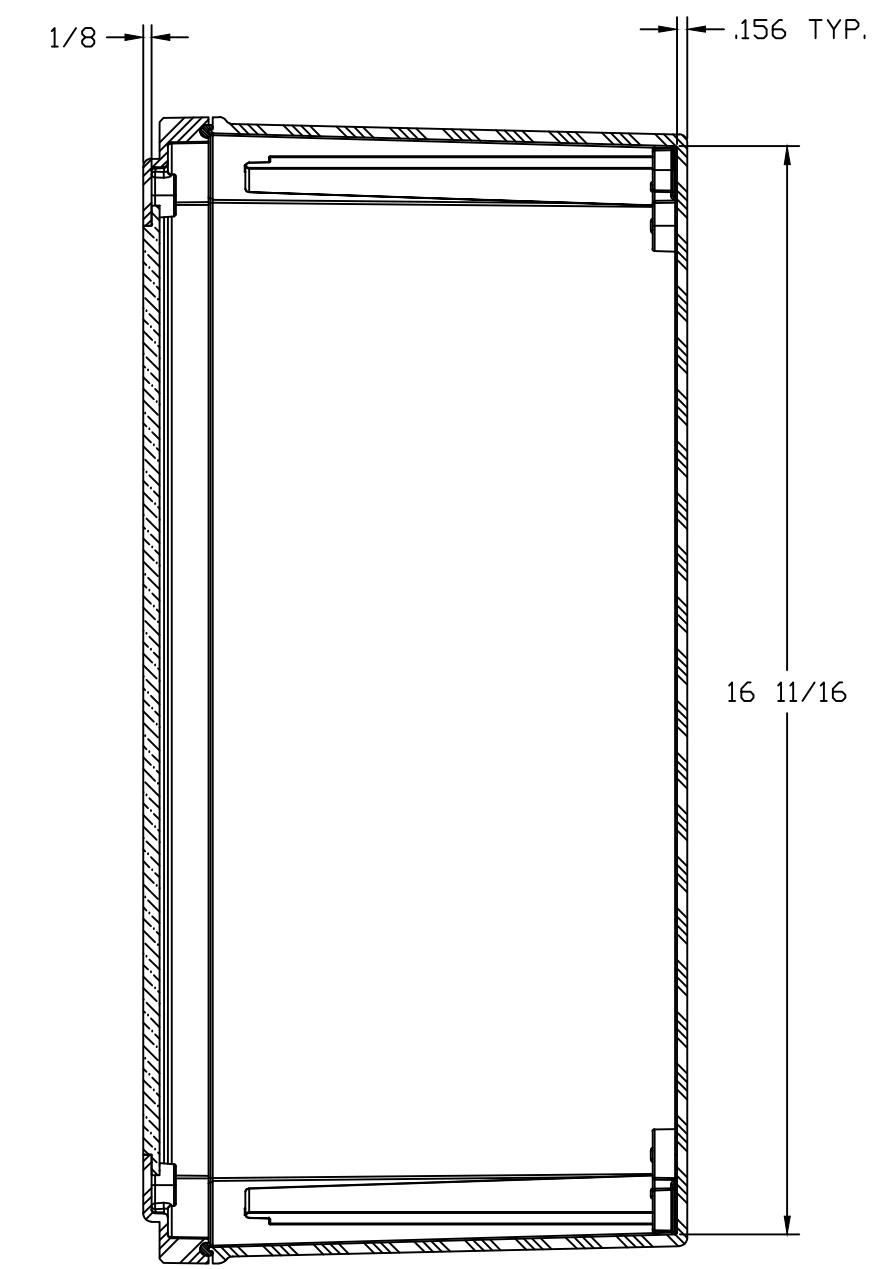
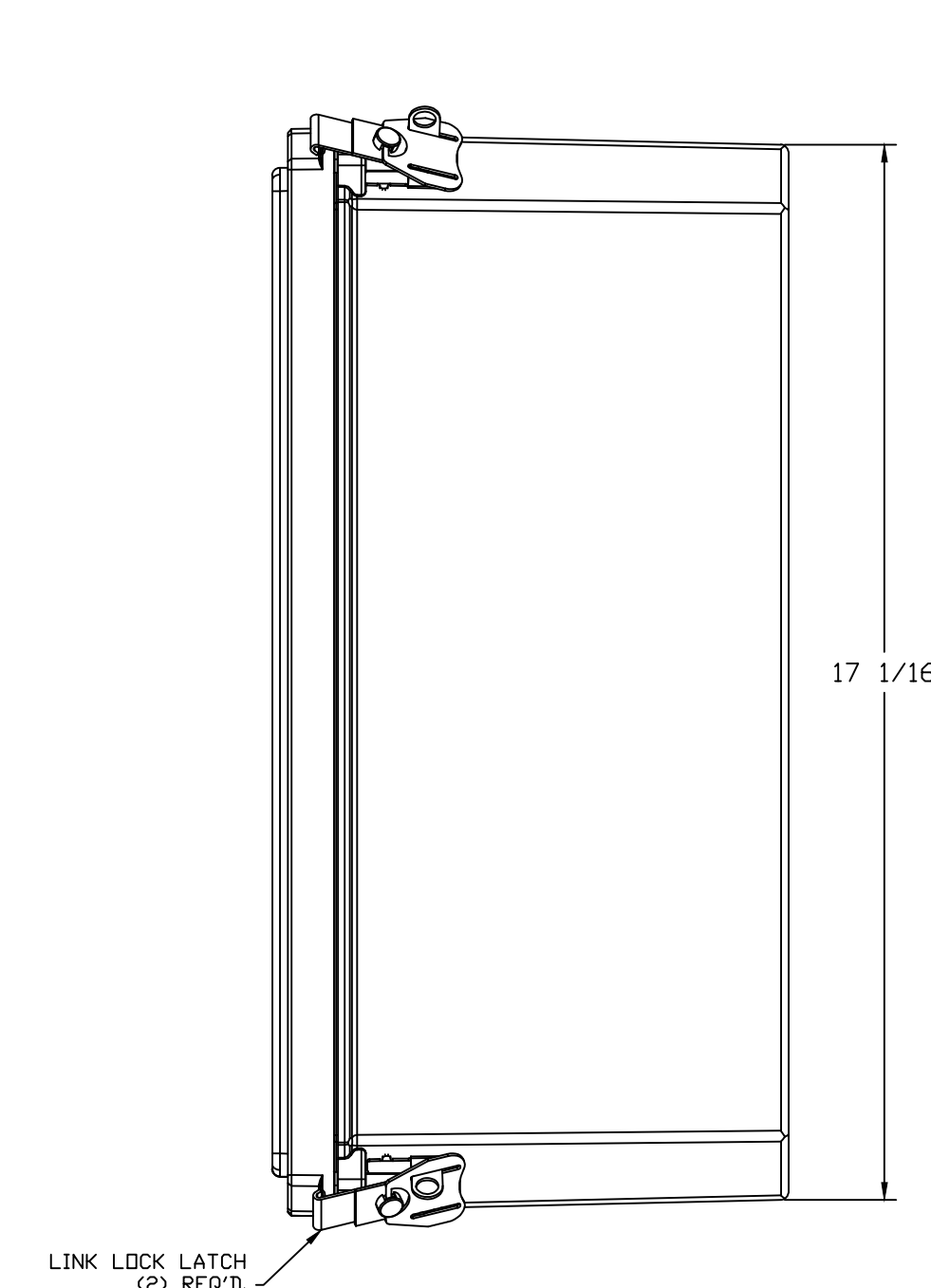
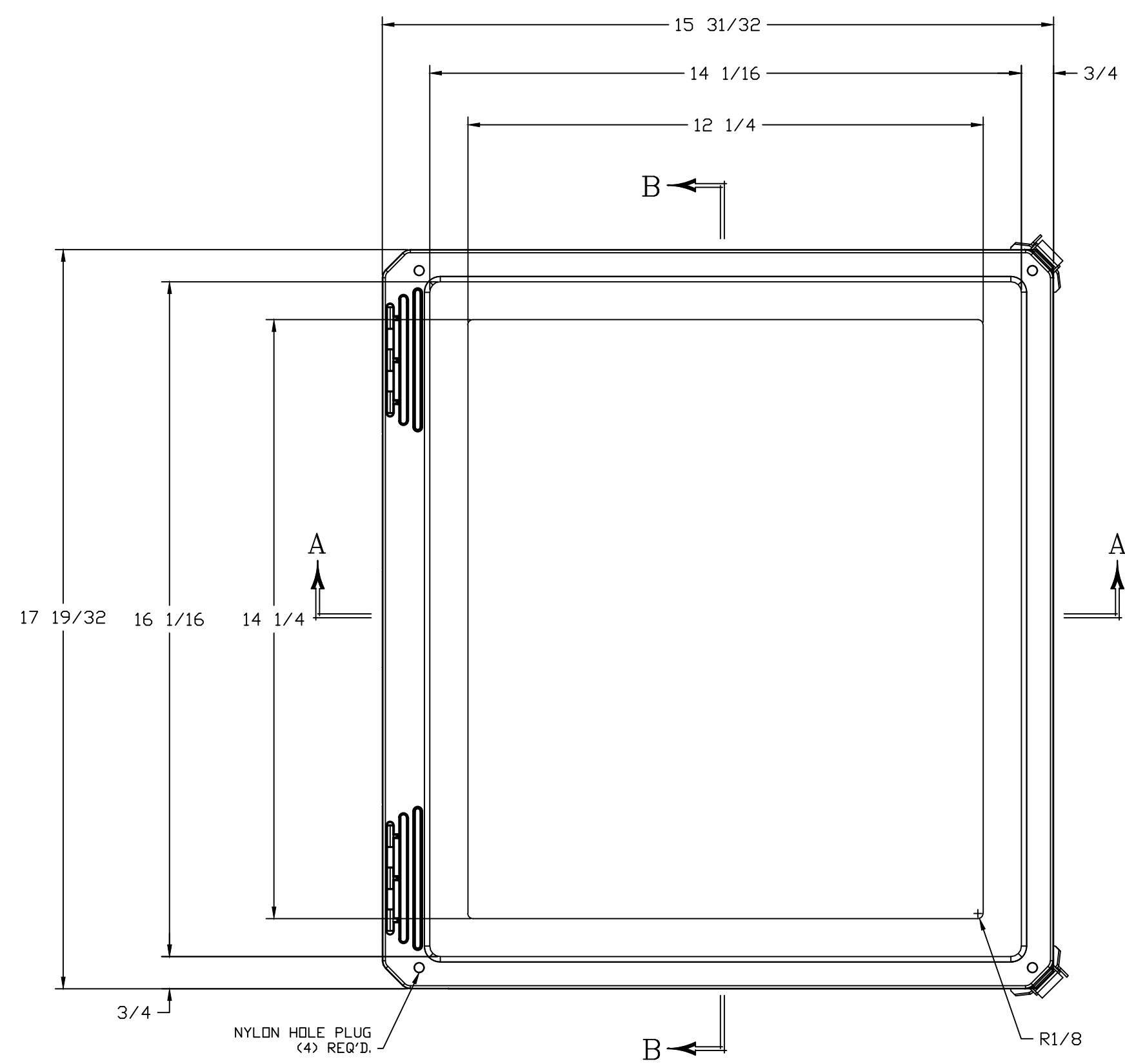
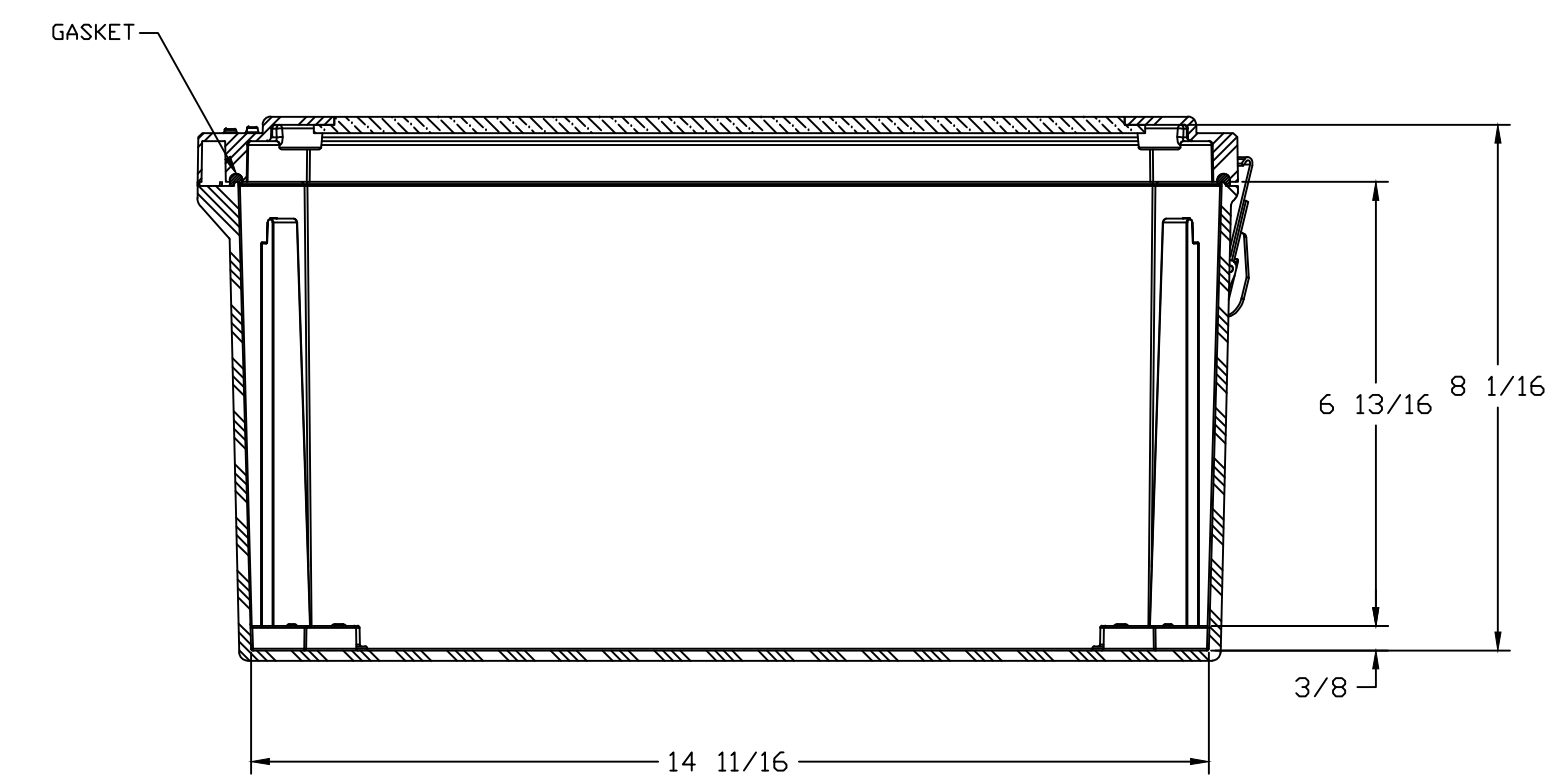
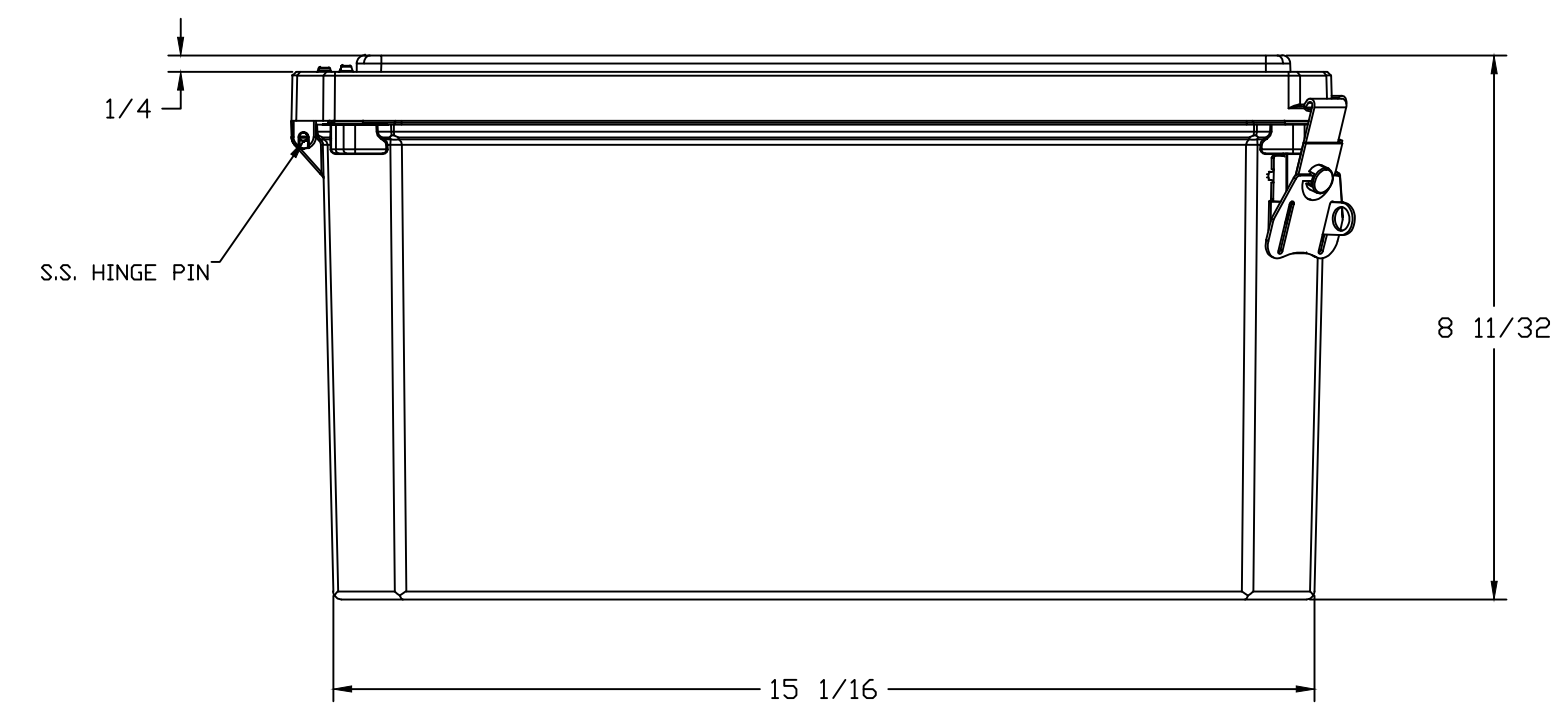


WITH COVER REMOVED




SECTION B-B



SECTION A-A

NOTES:

NEMA 1, 3, 3S, 4X, 12, 13 IP66		TOLERANCES UNLESS SPECIFIED		DECIMAL ± .010	FRACTIONAL ± 1/32
MATERIAL F.R. POLYESTER FIBERGLASS		DR. BY ZJB	DATE 5/23/03	 <b>STAHLIN ENCLOSURES</b> DIVISION OF ROBROY INDUSTRIES	
LET.	REVISION RECORD	DATE	BY		
		CHK. BY	DATE	BELDING, MICHIGAN 48809 AutoCAD DWG FILE DSW161408HLL	
		APD. BY	DATE	CUSTOMER	PART NO. DSW161408HLL
		SCALE 1:1	PART NAME ENCLOSURE	PART NO.	DSW161408HLL