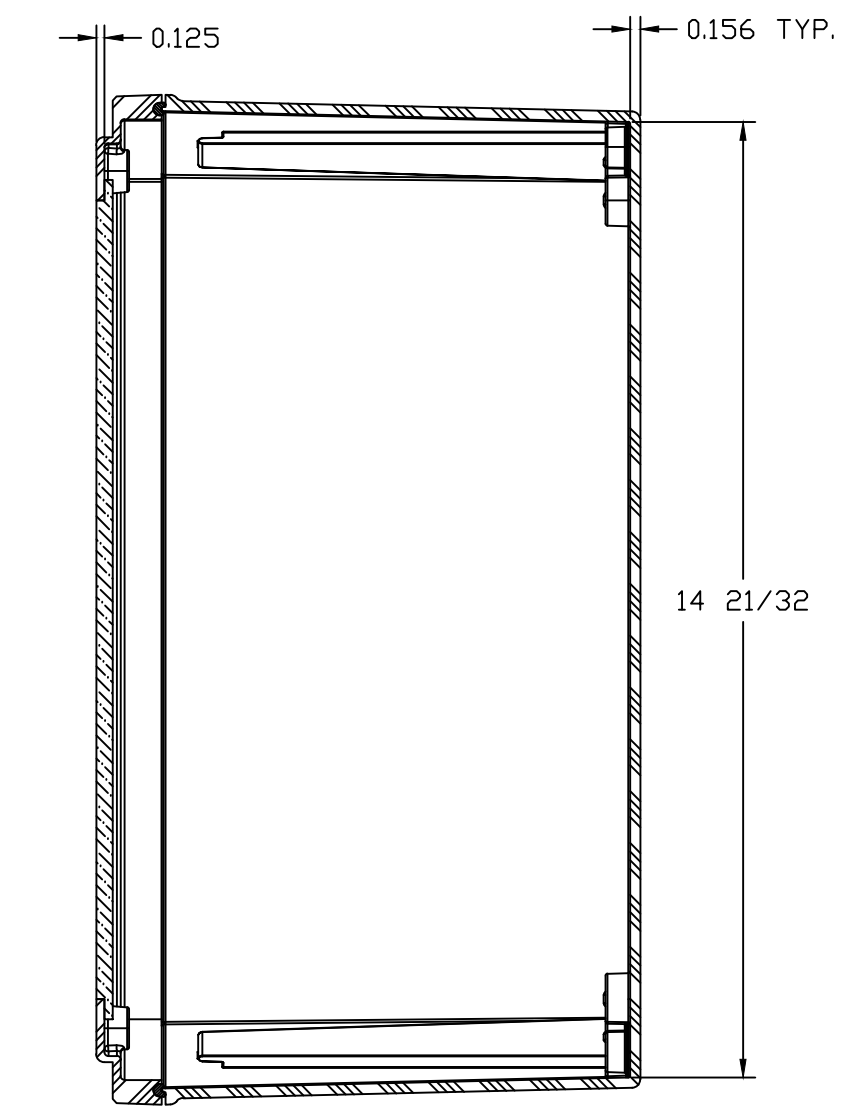
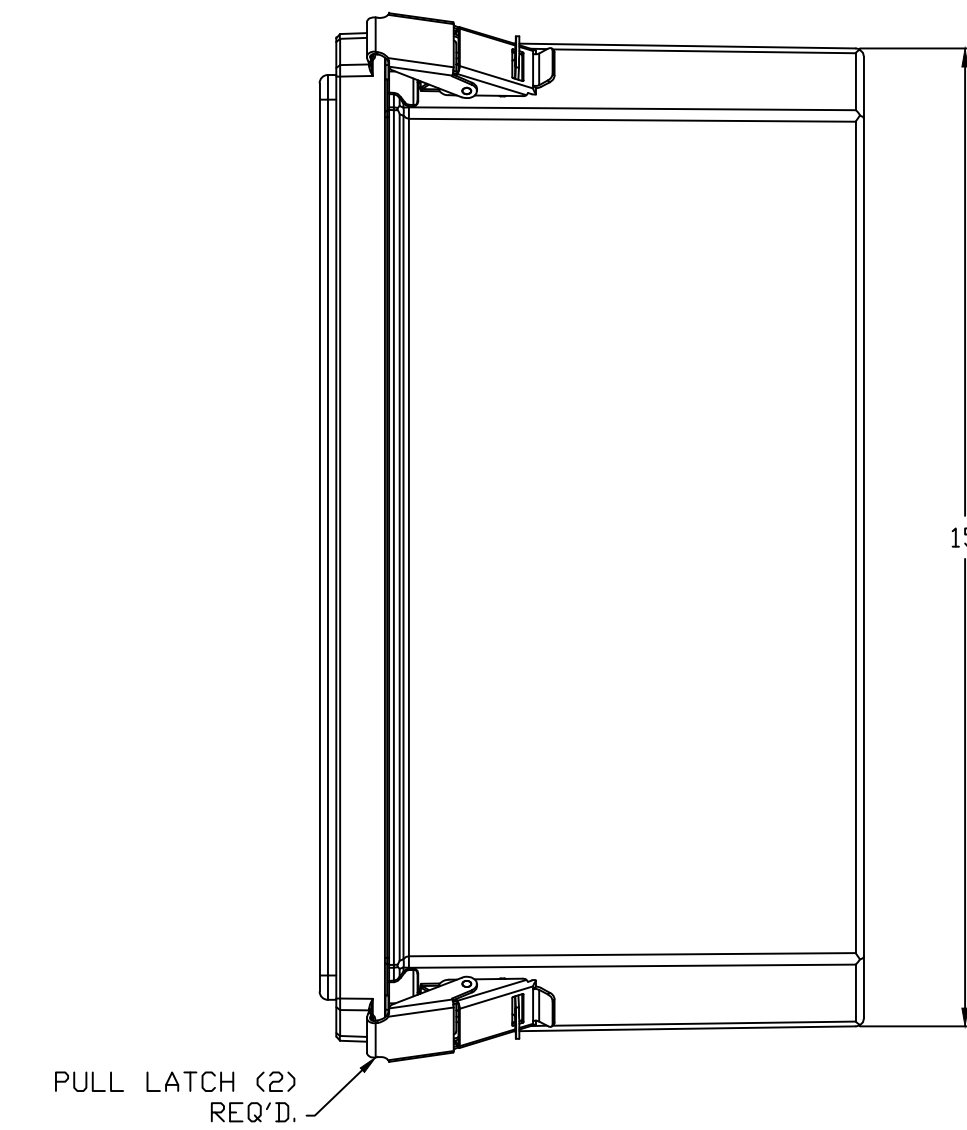
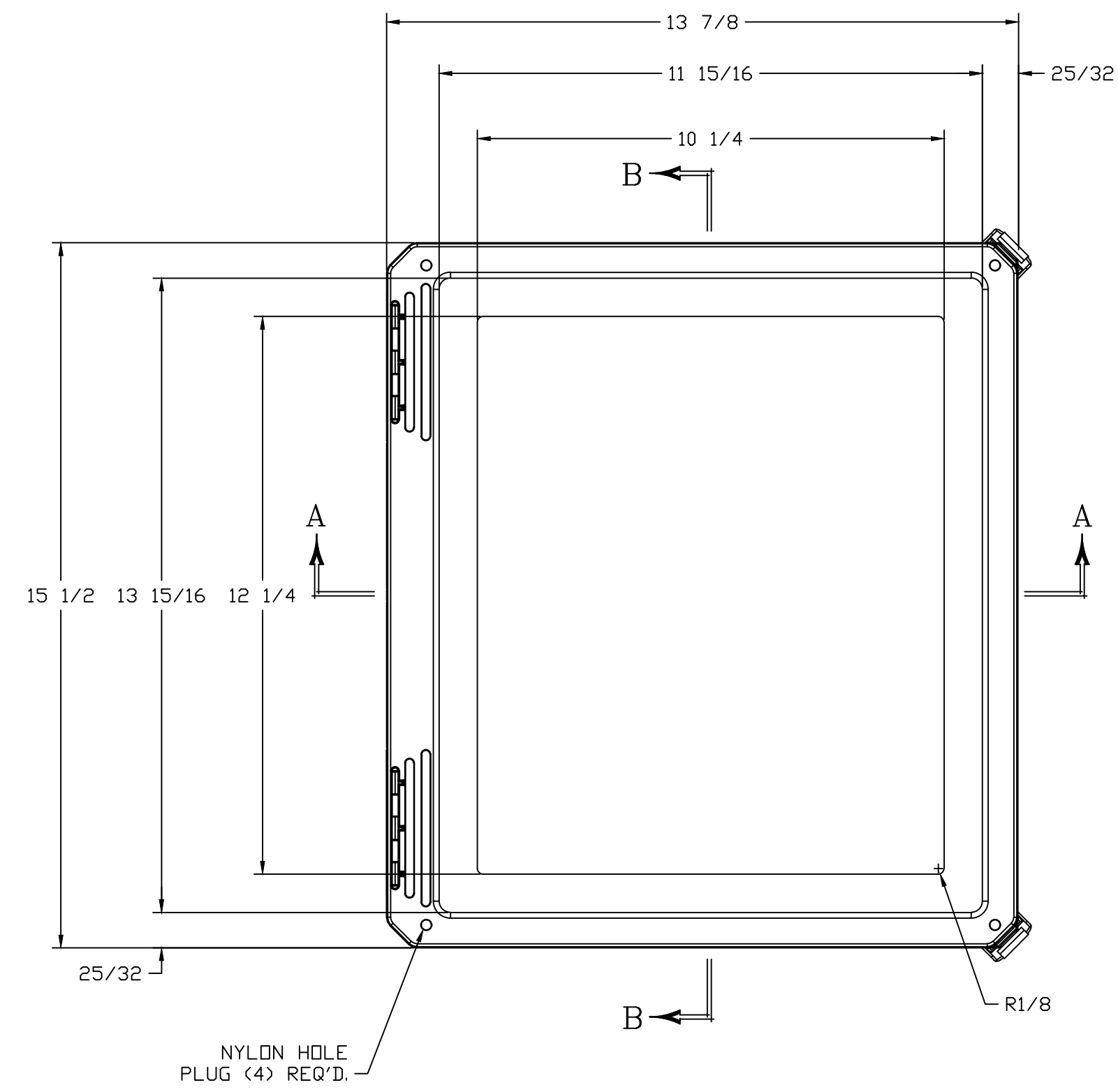
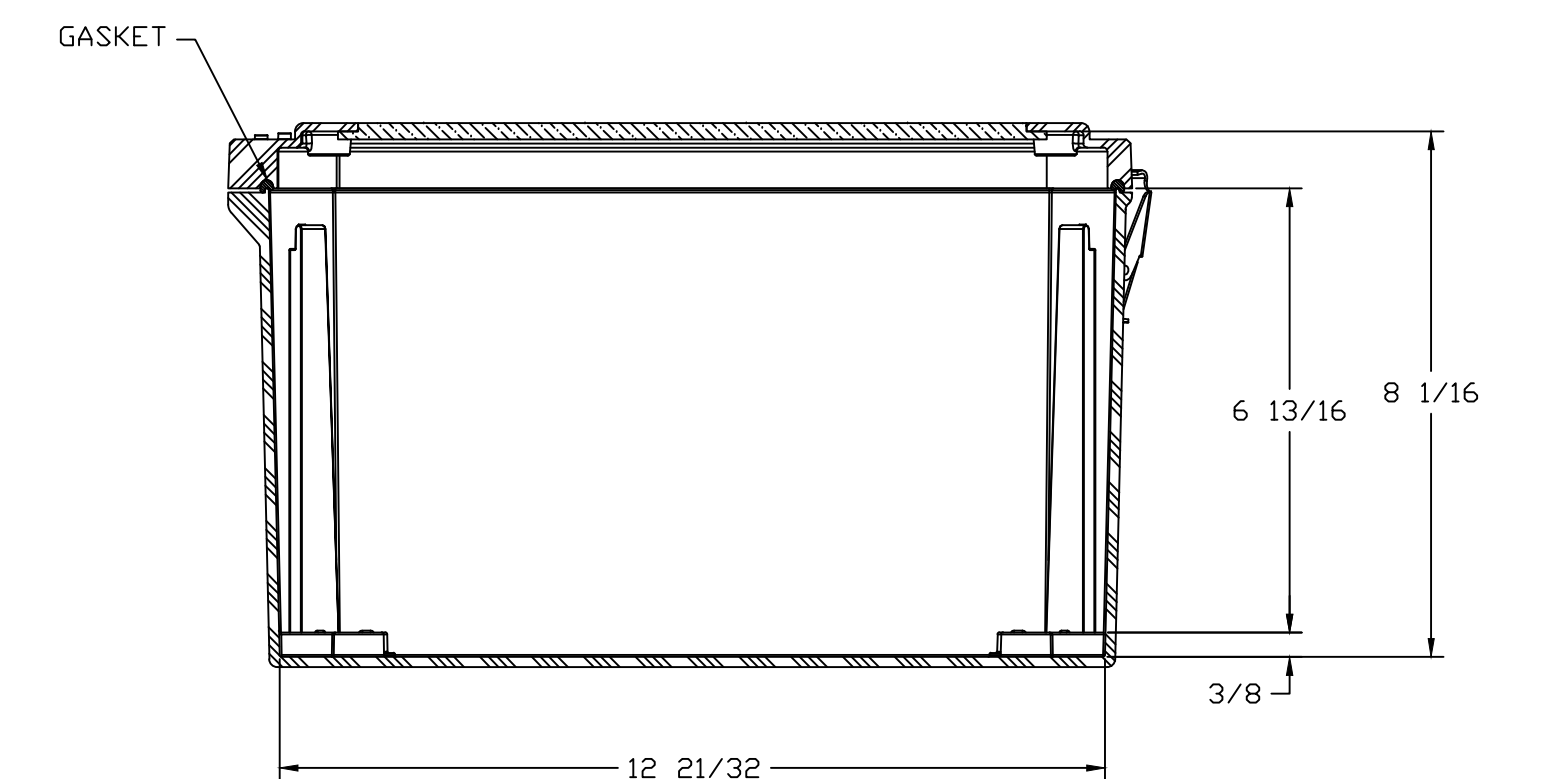
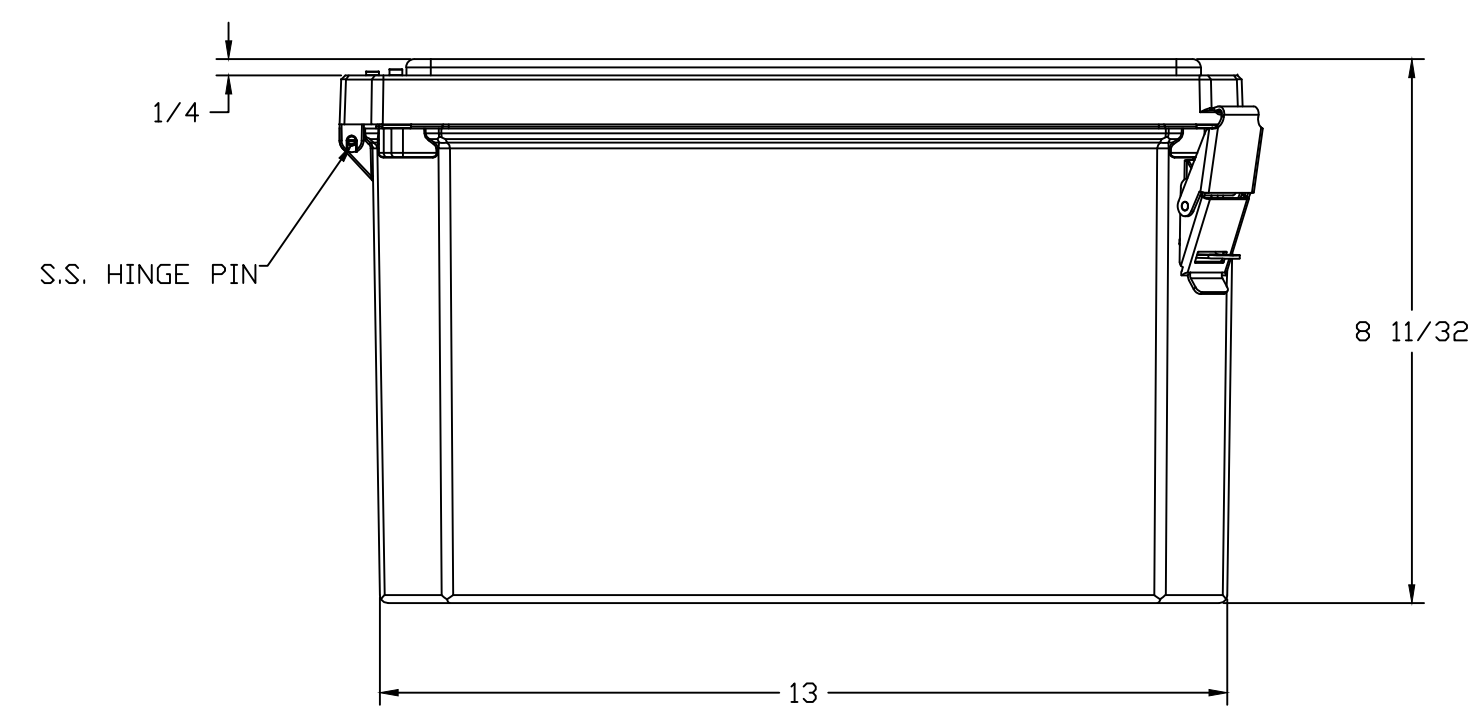


WITH COVER REMOVED



SECTION B-B



SECTION A-A

NOTES:

MATERIAL		F.R. POLYESTER FIBERGLASS		NEMA 1, 3, 3S, 4X, 12, 13 IP66		COLOR: GLACIER GRAY RR1013		TOLERANCES UNLESS SPECIFIED		DECIMAL ± .010		FRACTIONAL ± 1/32	
DR. BY	DATE	CHK. BY	DATE	APD. BY	DATE	CUSTOMER		PART NAME		ENCLOSURE		PART NO.	
ZJB	5/7/03							ENCLOSURE				DSW141208HPL	
LET.	REVISION RECORD	DATE	BY	CHD.	SCALE	DD NDT SCALE						AutoCAD DWG FILE DSW141208HPL	
												BELDING, MICHIGAN 48809	