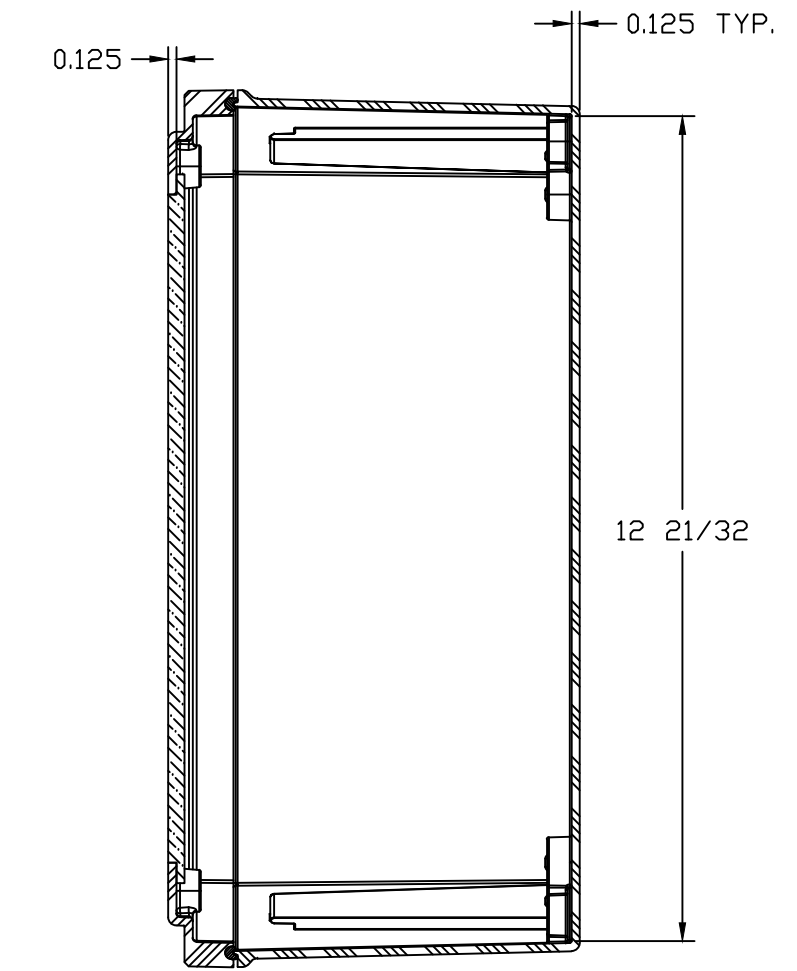
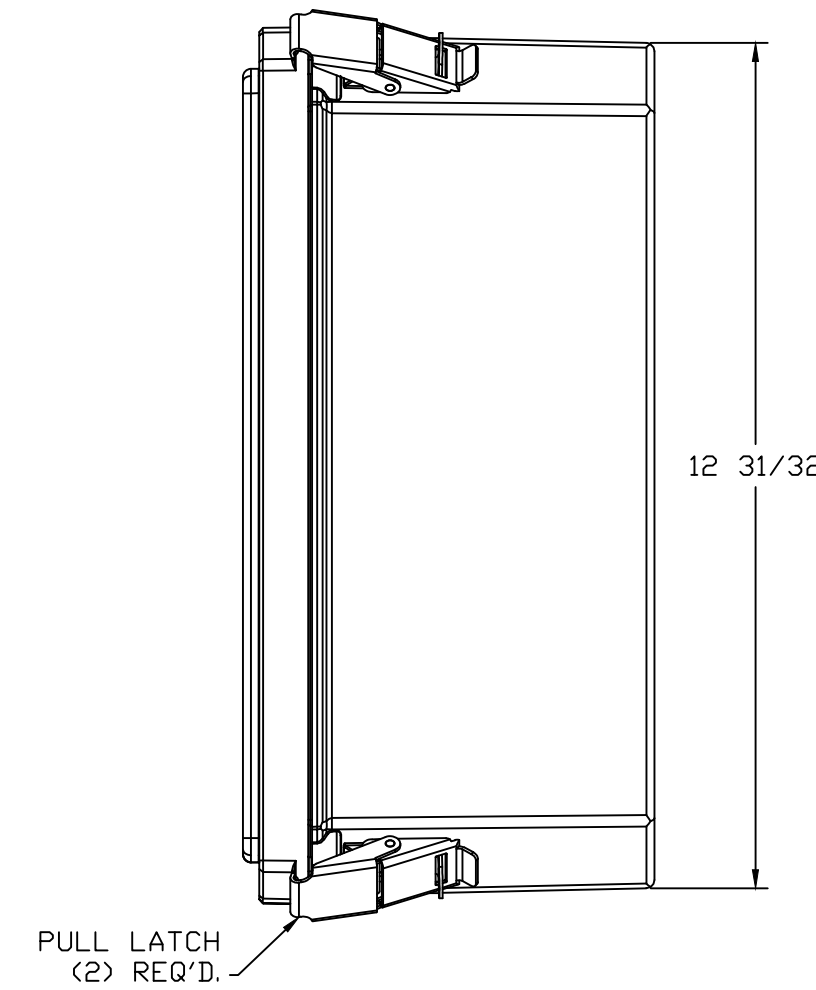
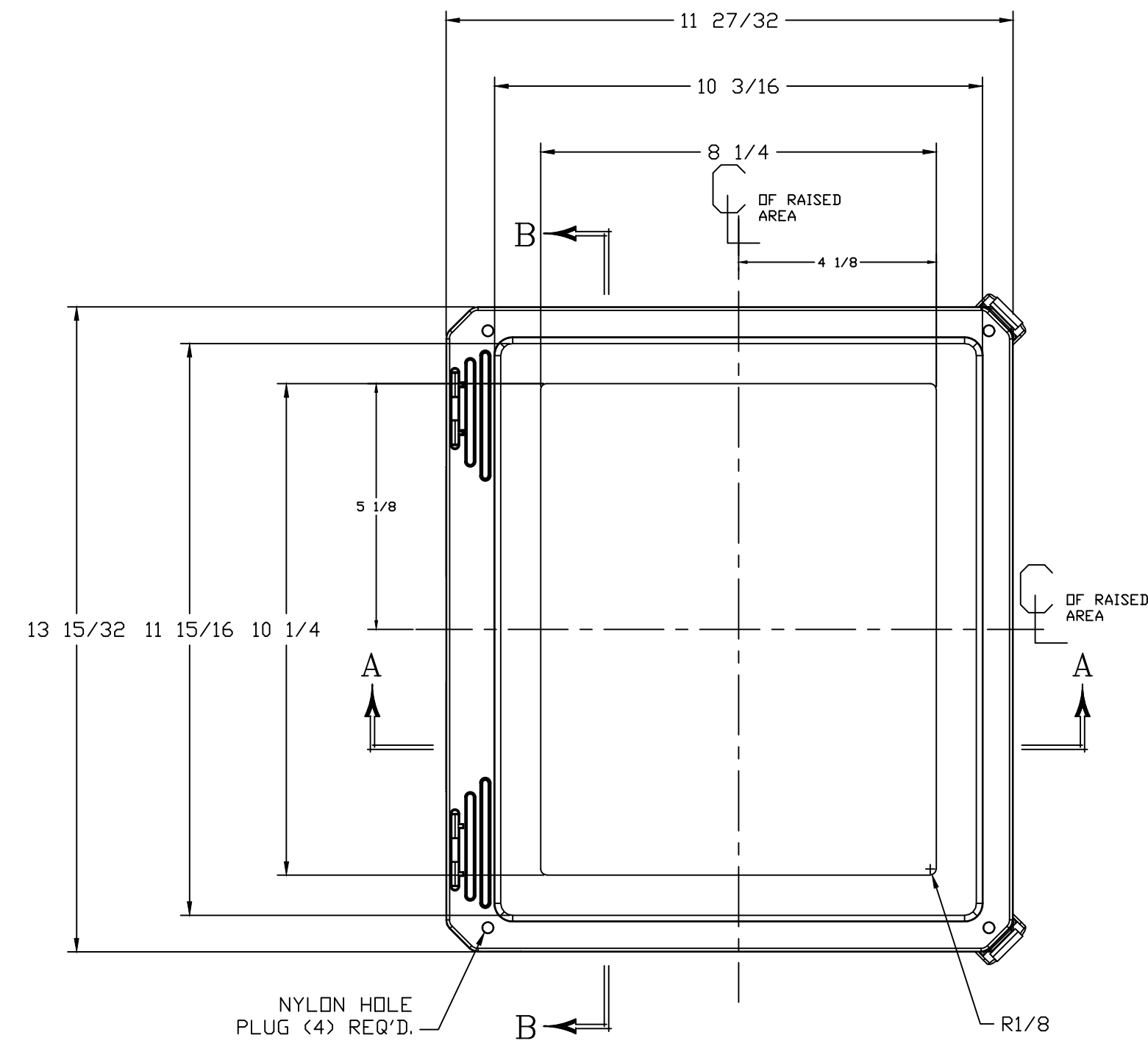
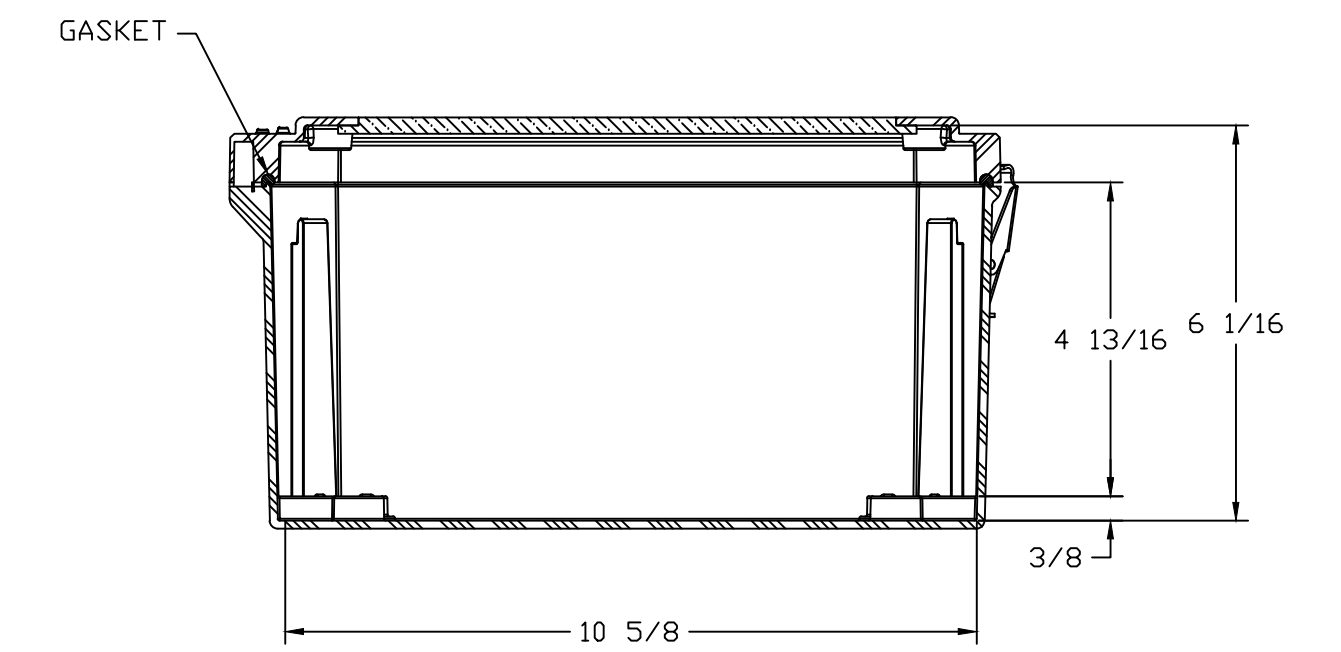
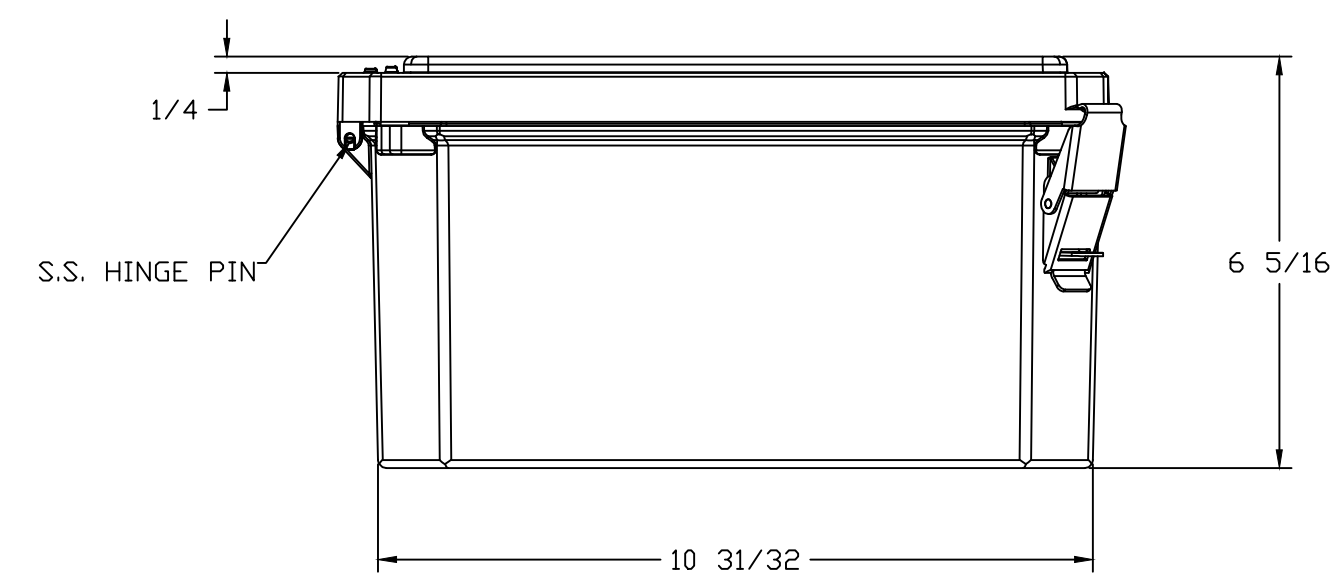


WITH COVER REMOVED




SECTION B-B



SECTION A-A

NOTES:

MATERIAL		F.R. POLYESTER FIBERGLASS		DR. BY	ZJB	DATE	4/2/03	COLOR: GLACIER GRAY RR1013		TOLERANCES UNLESS SPECIFIED		DECIMAL ± .010	FRACTIONAL ± 1/32
LET.	REVISION RECORD	DATE	BY	CHD.	CHK. BY	DATE		NEMA 1, 3, 3S, 4X, 12, 13 IP66		 BELDING, MICHIGAN 48809			
					APD. BY	DATE		CUSTOMER		AutoCAD DWG. FILE DSW121006HPL			
					SCALE	DD NDT SCALE		PART NAME ENCLOSURE		PART NO.		DSW121006HPL	