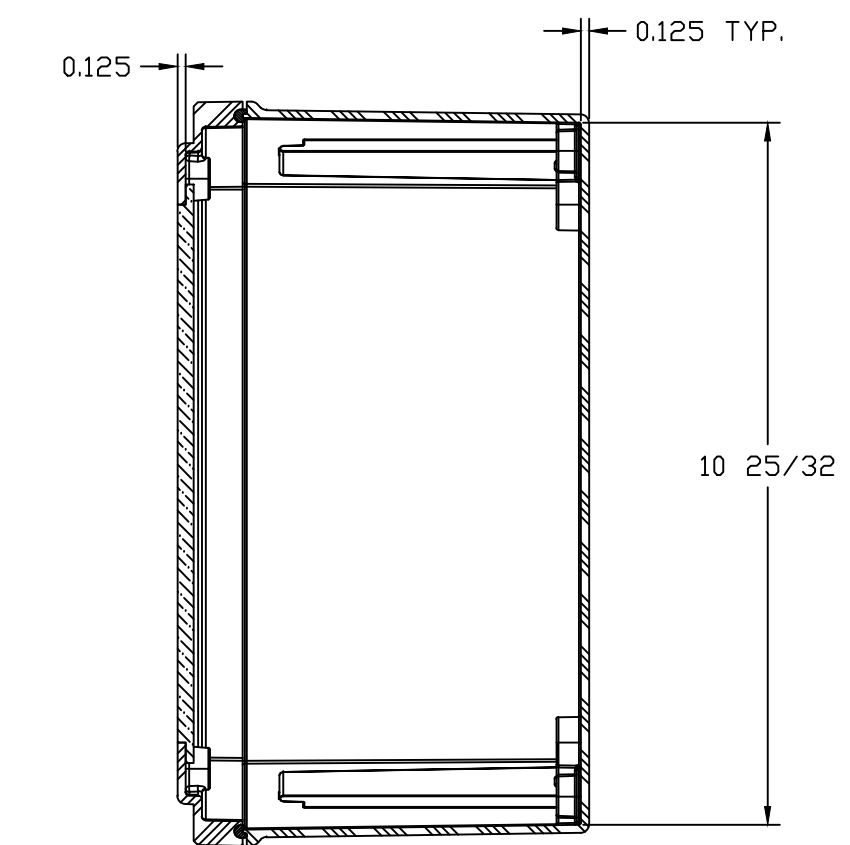
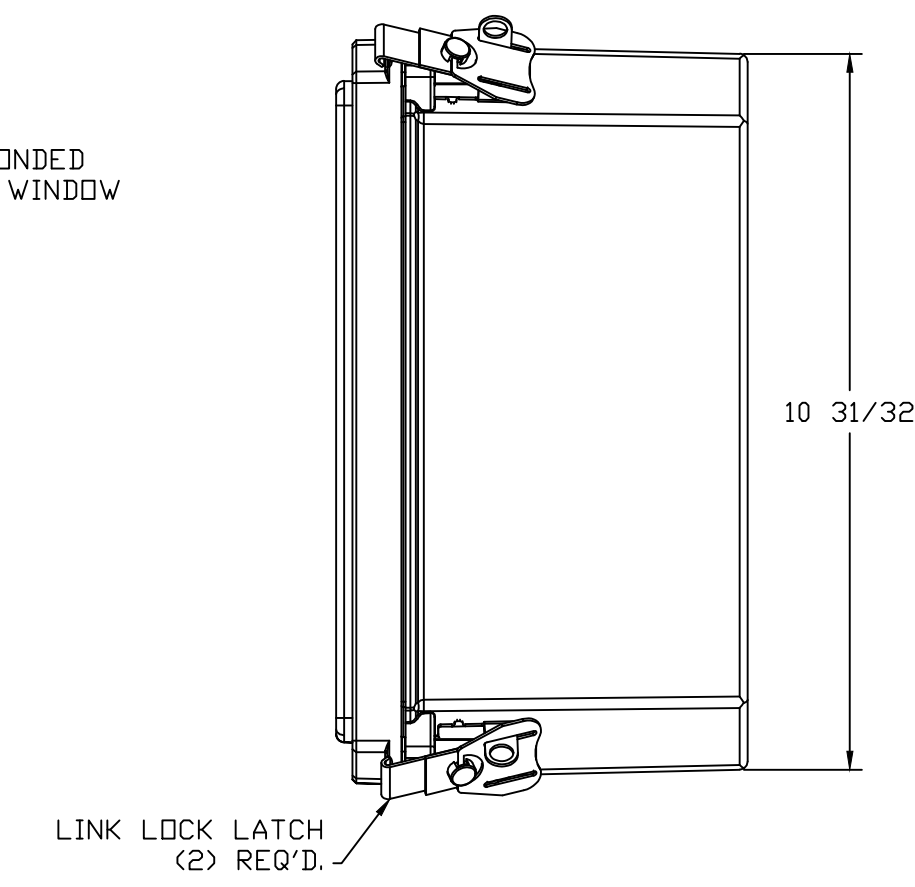
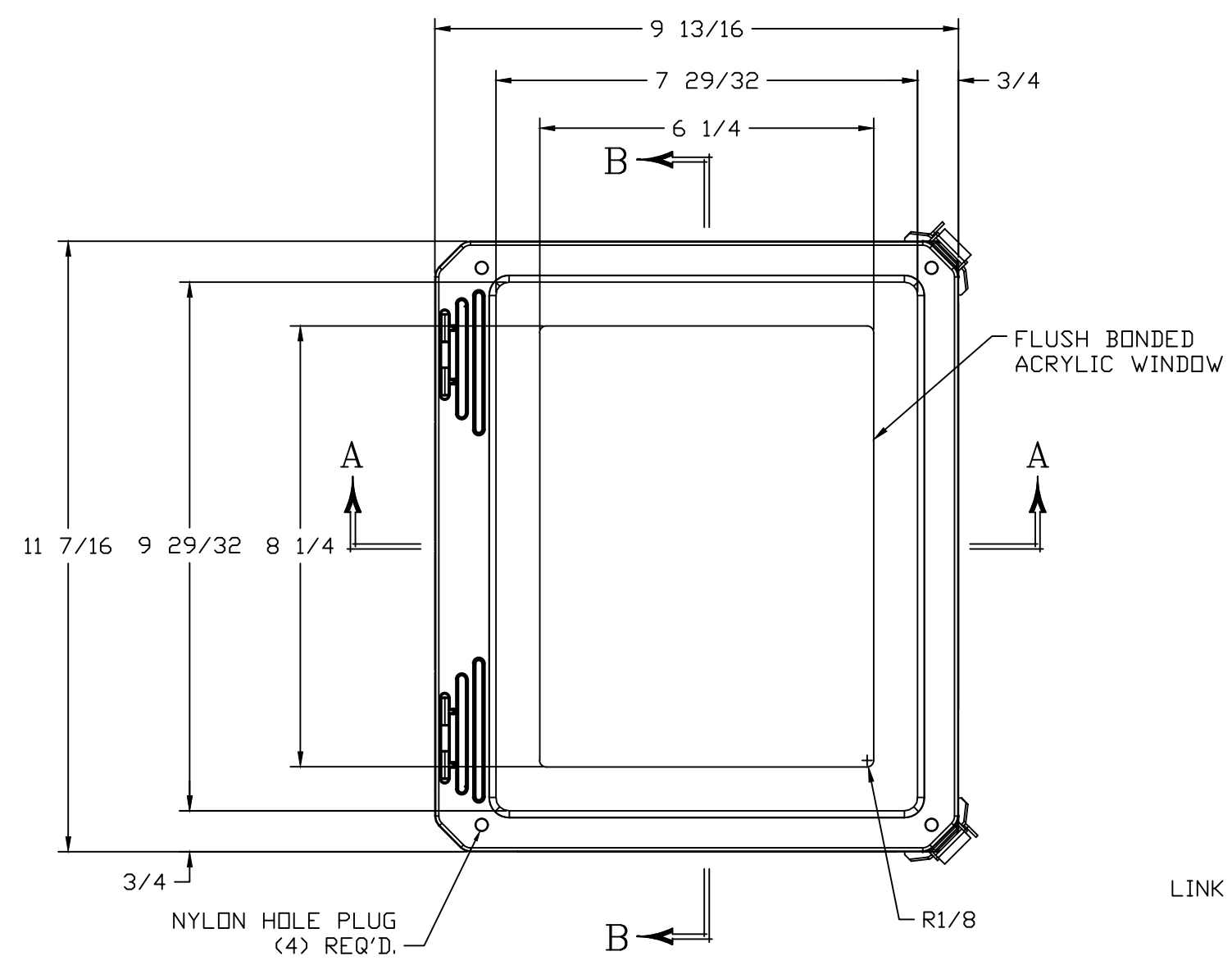
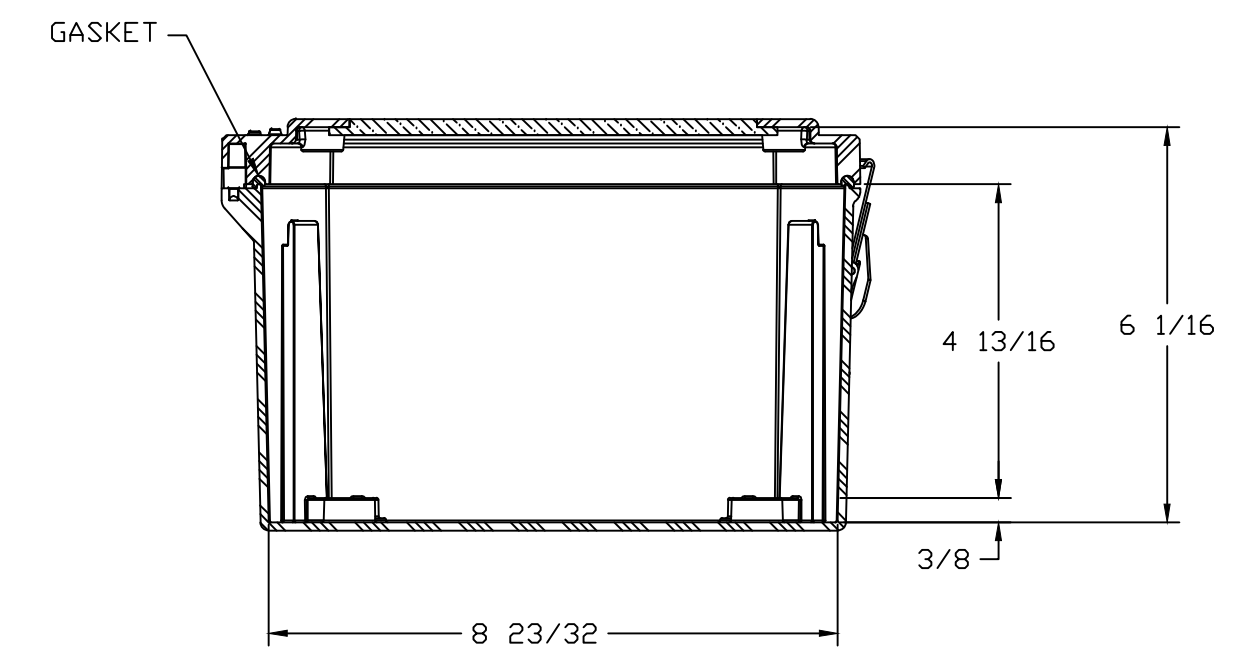
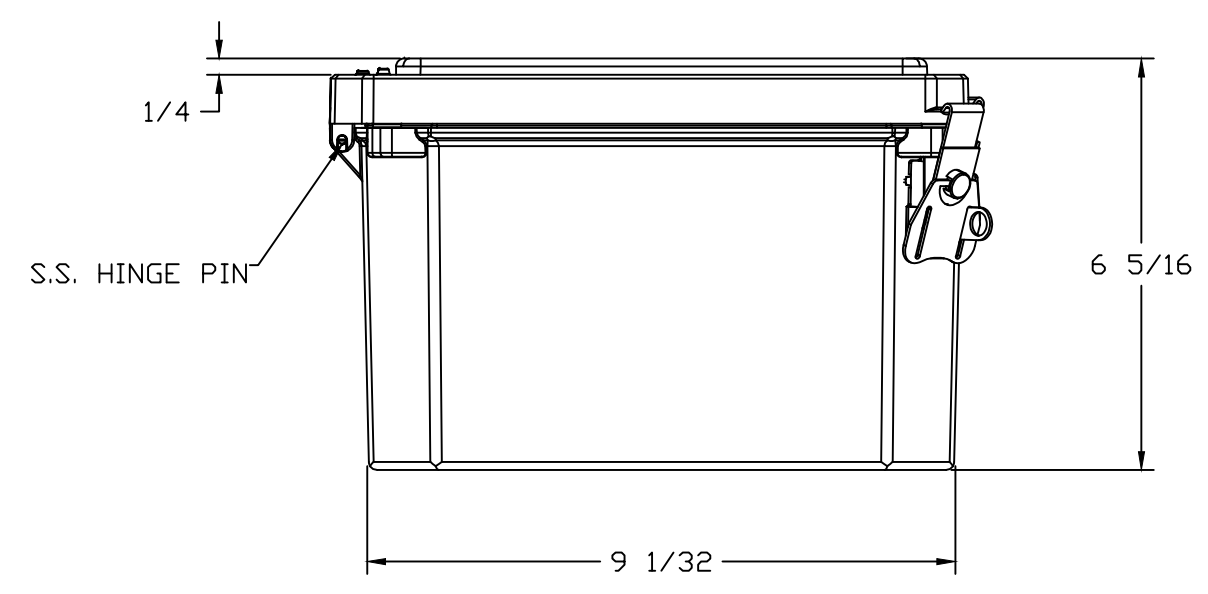


WITH COVER REMOVED



SECTION B-B



SECTION A-A

NOTES:

MATERIAL		F.R. POLYESTER FIBERGLASS		DR. BY ZJB		DATE 4/2/03		COLOR: GLACIER GRAY RR1013		TOLERANCES UNLESS SPECIFIED		DECIMAL ± .010		FRACTIONAL ± 1/32	
LET.	REVISION RECORD	DATE	BY	CHD.	CHK. BY	DATE	APD. BY	DATE	NEMA 1, 3, 3S, 4X, 12, 13 IP66		STAHLIN ENCLOSURES DIVISION OF ROBROY INDUSTRIES		BELDING, MICHIGAN 48809		AutoCAD DWG. FILE DSW100806HLL
SCALE		PART NAME		ENCLOSURE		PART NO.		CUSTOMER		SCALE		DD NDT SCALE		DSW100806HLL	