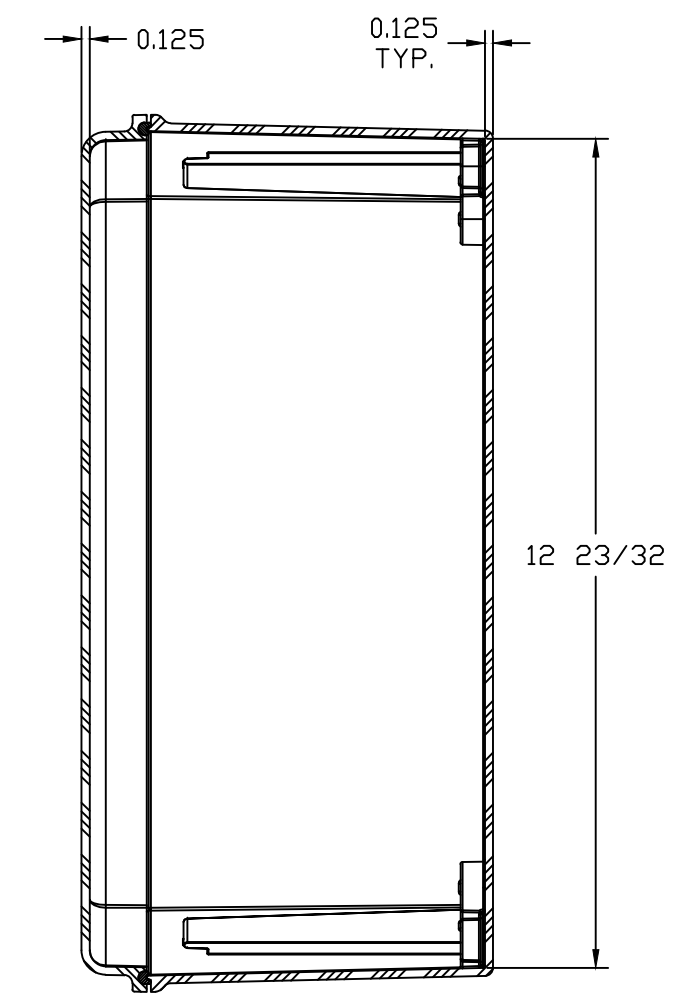
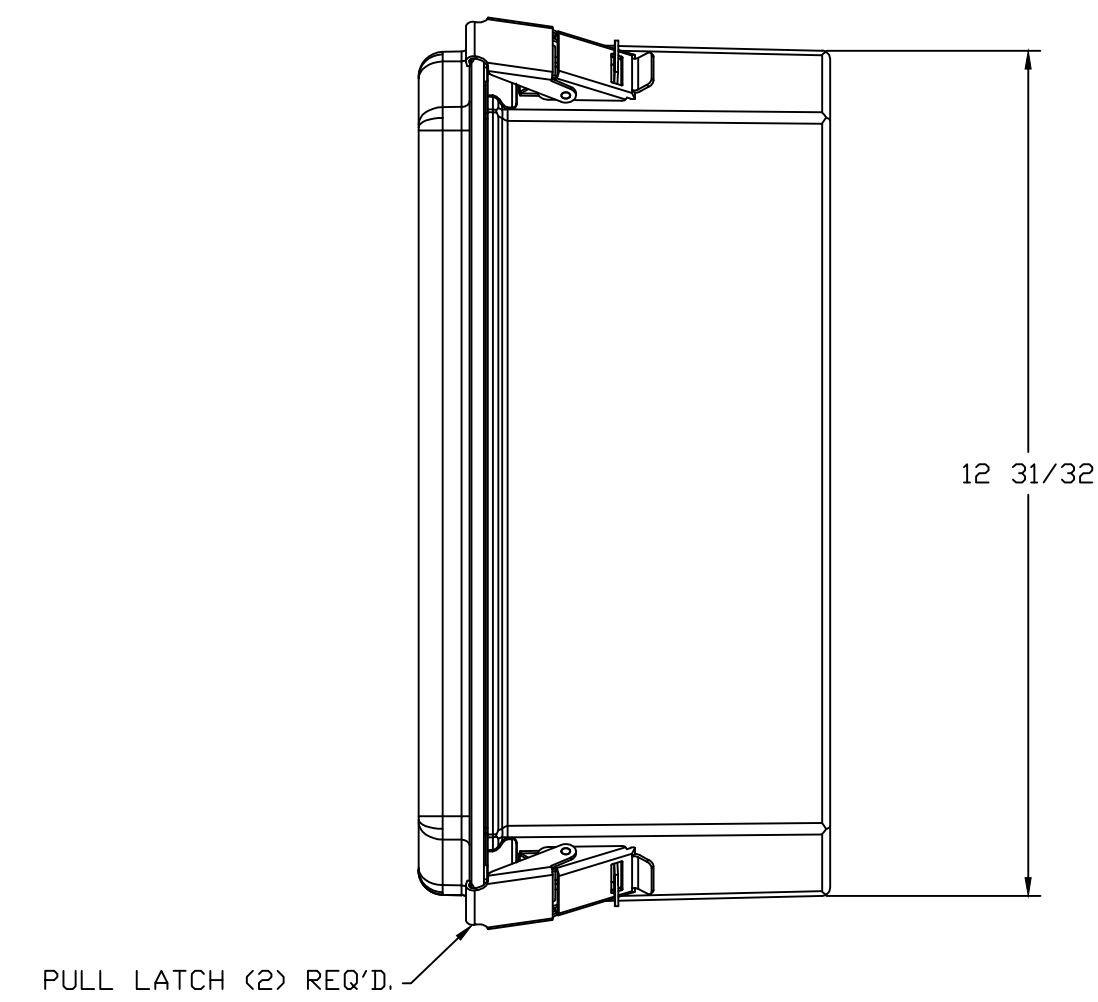
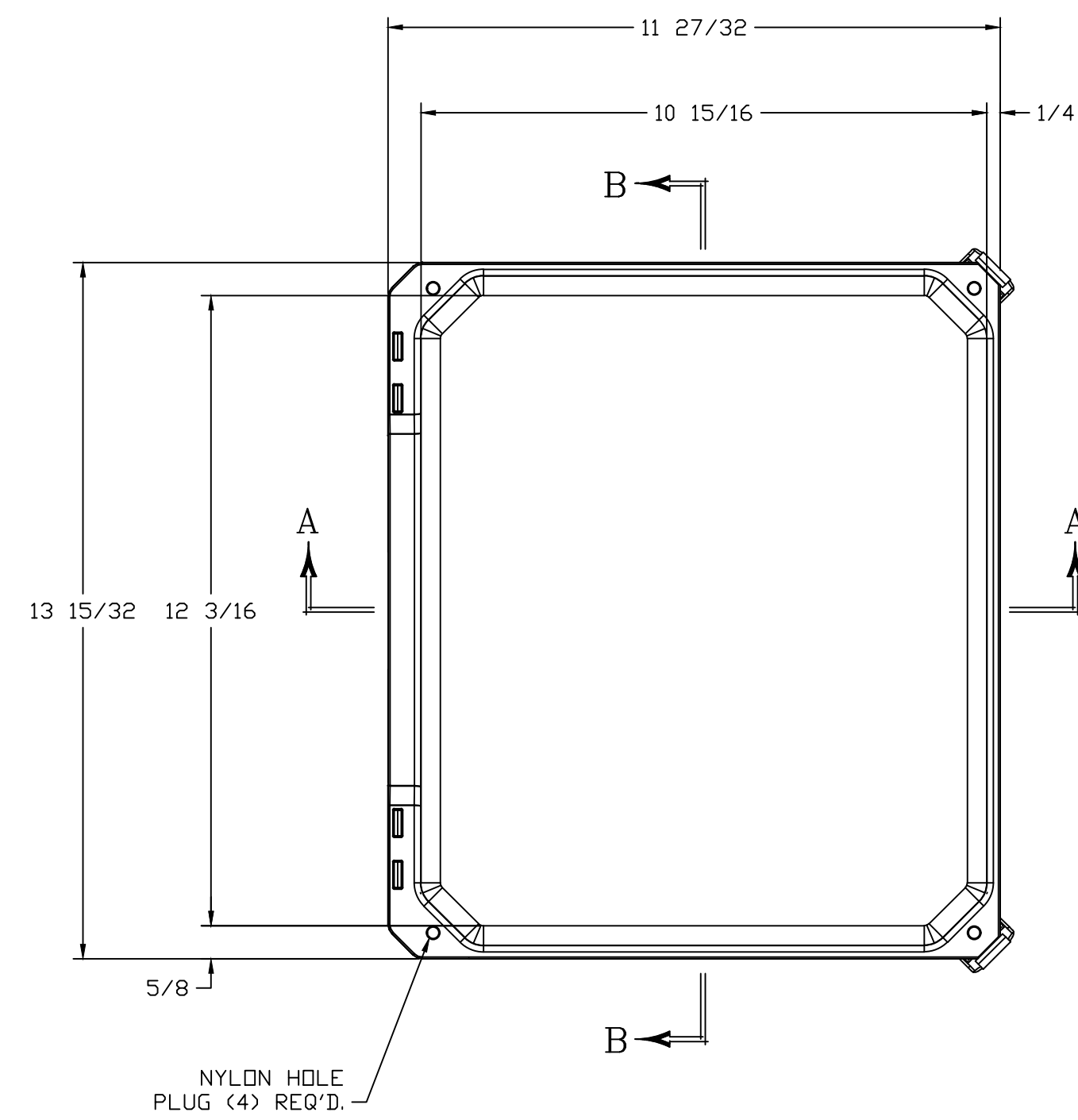
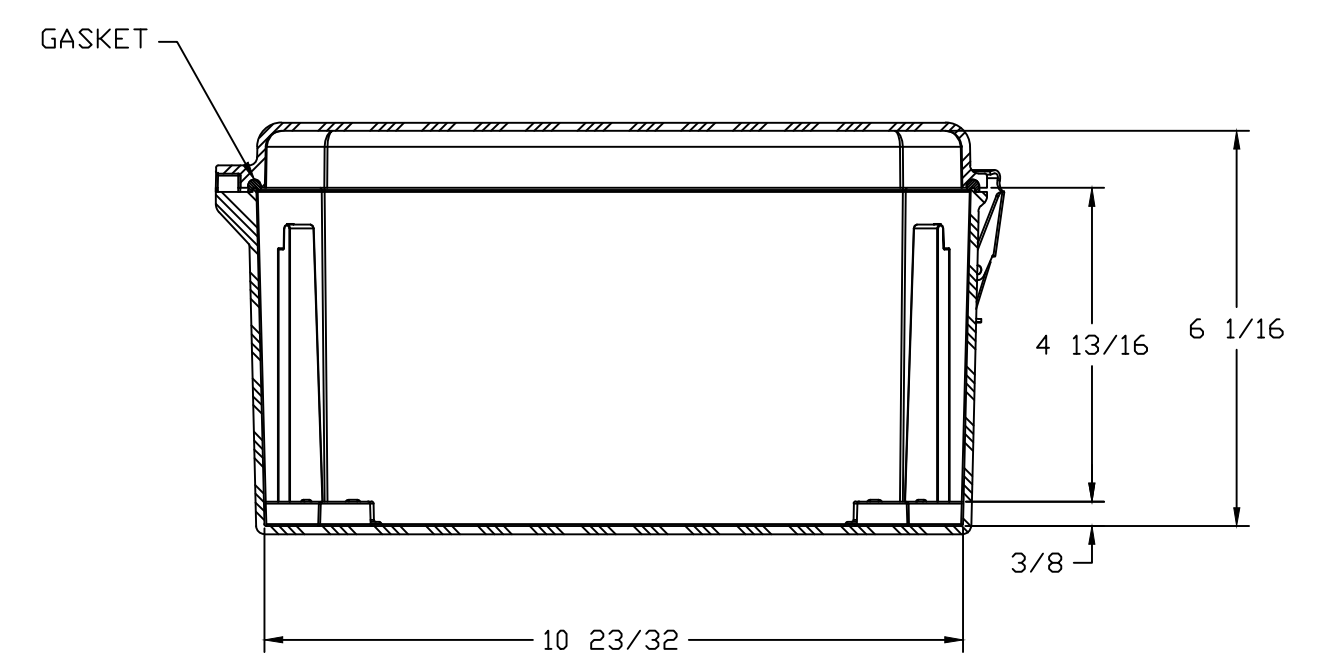
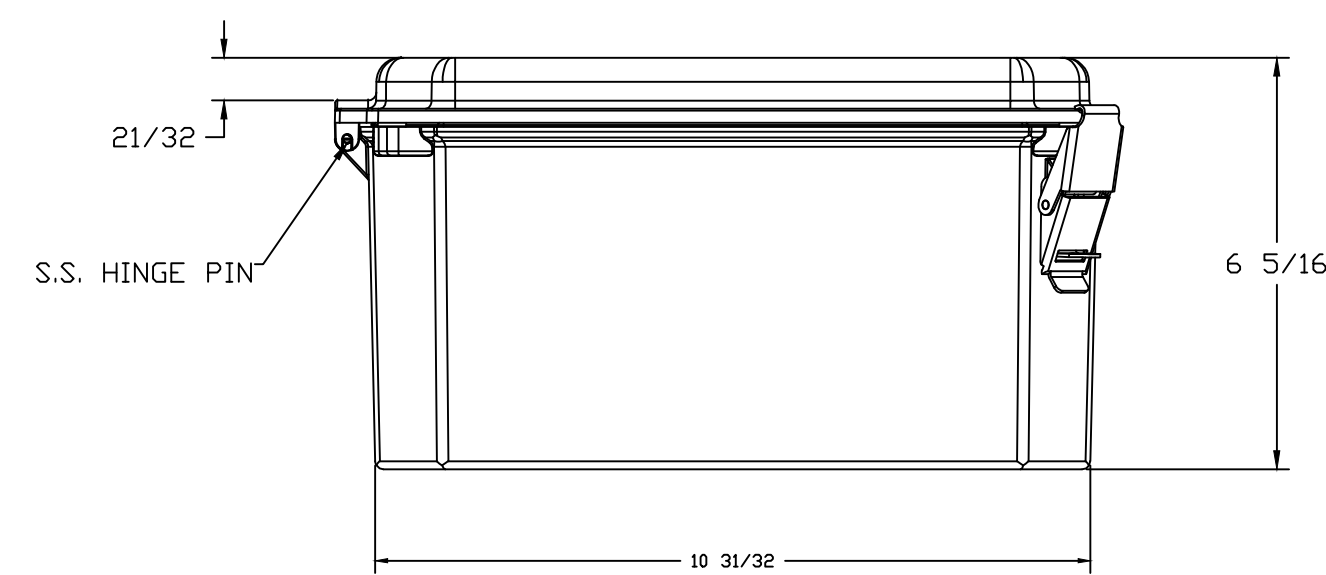


WITH COVER REMOVED



SECTION B-B



SECTION A-A

NOTES:

MATERIAL		F.R. POLYESTER FIBERGLASS		DR. BY ZJB		DATE 4/2/03		COLOR: GLACIER GRAY RR1013		TOLERANCES UNLESS SPECIFIED		DECIMAL ± .010		FRACTIONAL ± 1/32	
LET.		REVISION RECORD		DATE		BY		CHD.		CHK. BY		DATE		APD. BY	
														DATE	
														CUSTOMER	
														SCALE	
														DD NDT SCALE	
														PART NAME	
														ENCLOSURE	
														PART NO.	
														DSCC121006HPL	

STAHLIN
ENCLOSURES
DIVISION OF ROBOBY INDUSTRIES

BELDING, MICHIGAN
48809

AutoCAD DWG. FILE
DSCC121006HPL

DSCC121006HPL