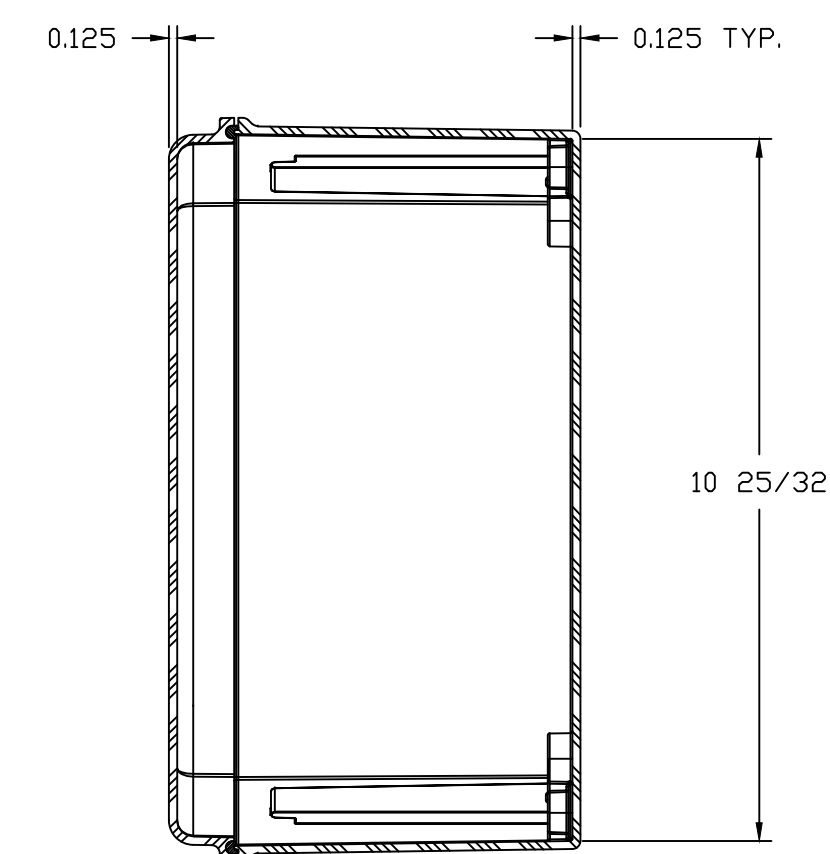
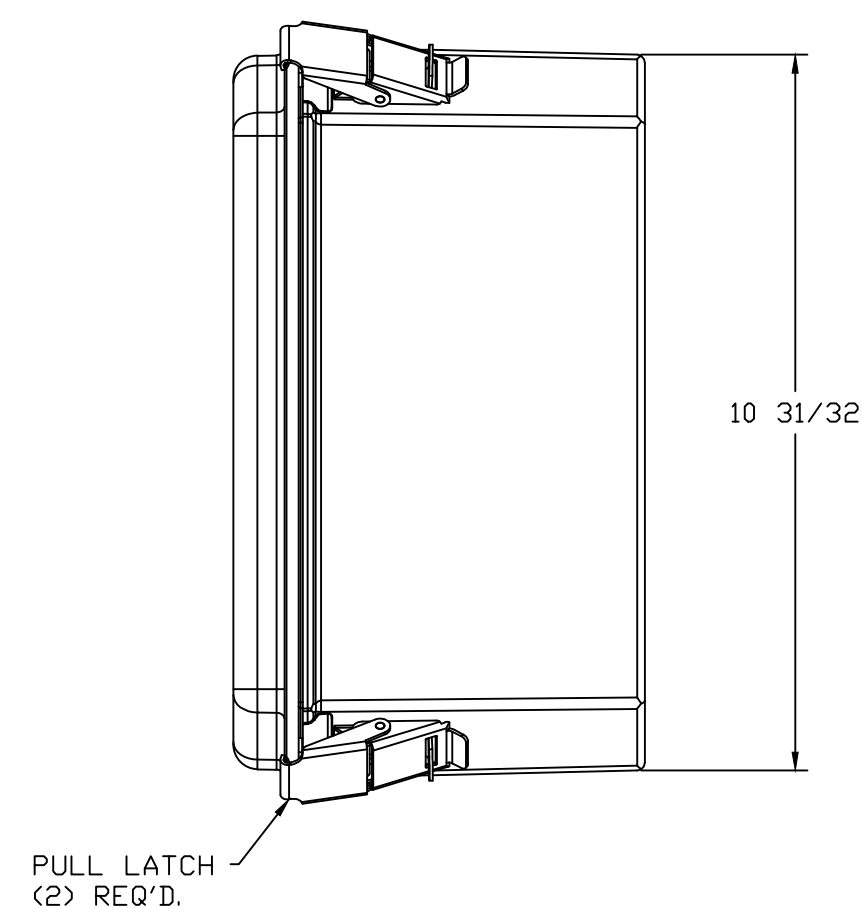
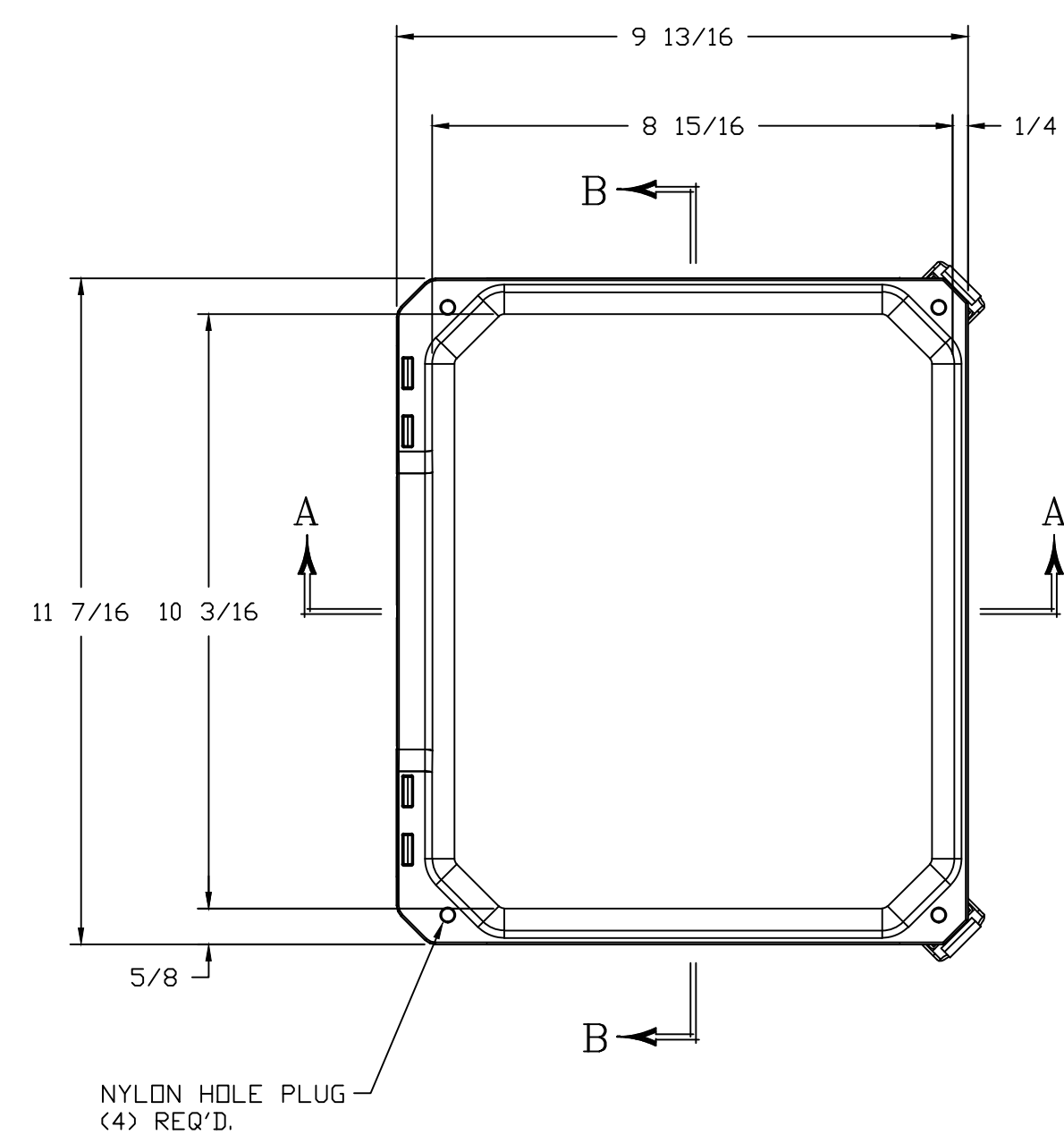
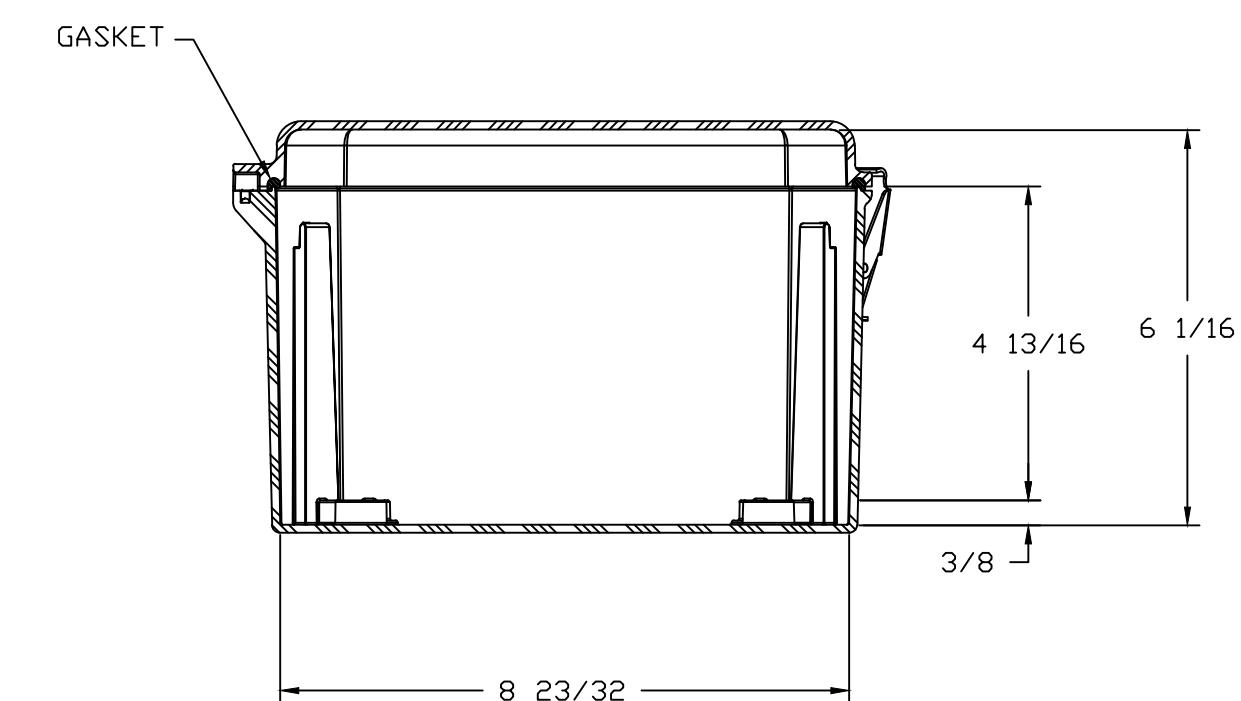
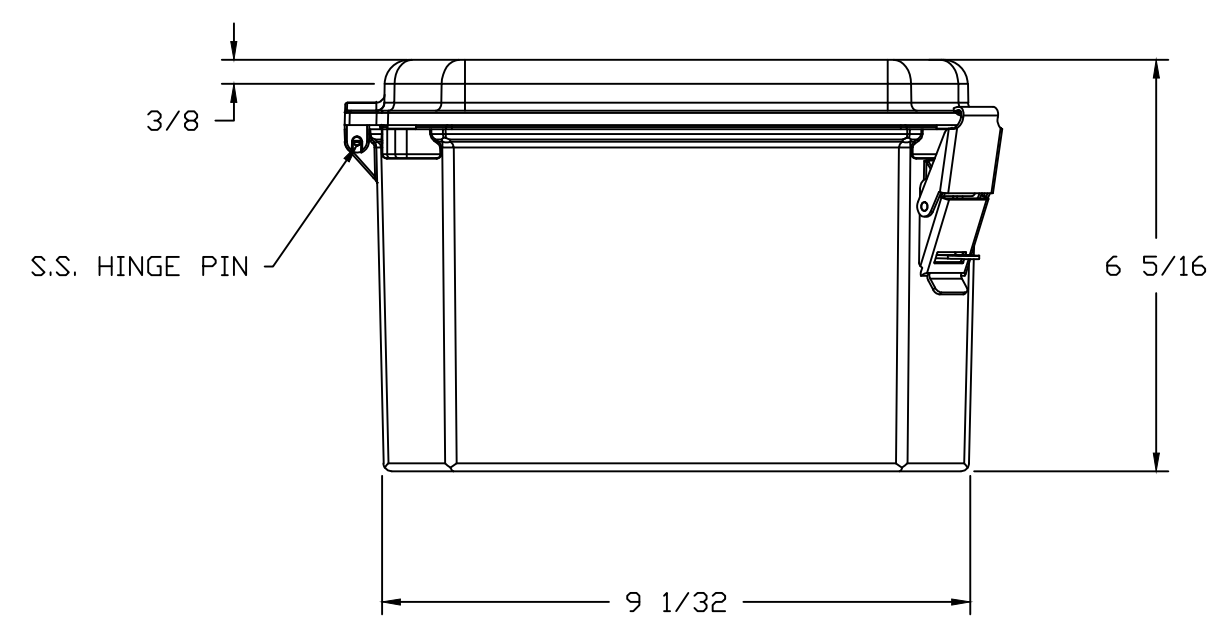



WITH COVER REMOVED



SECTION B-B



SECTION A-A

COLOR: GLACIER GRAY RR1013		TOLERANCES UNLESS SPECIFIED		DECIMAL ± .010	FRACTIONAL ± 1/32
MATERIAL: NEMA 1, 3, 3S, 4X, 12, 13 IP66		DR. BY: ZJB	DATE: 4/3/03	 BELDING, MICHIGAN 48809	
F.R. POLYESTER FIBERGLASS		CHK. BY:	DATE:		
LET.	REVISION RECORD	DATE	BY	CHD.	APD. BY: DATE
					CUSTOMER
					AutoCAD DWG. FILE: DSCC100806HPL
					SCALE: DO NOT SCALE
					PART NAME: ENCLOSURE
					PART NO.: DSCC100806HPL