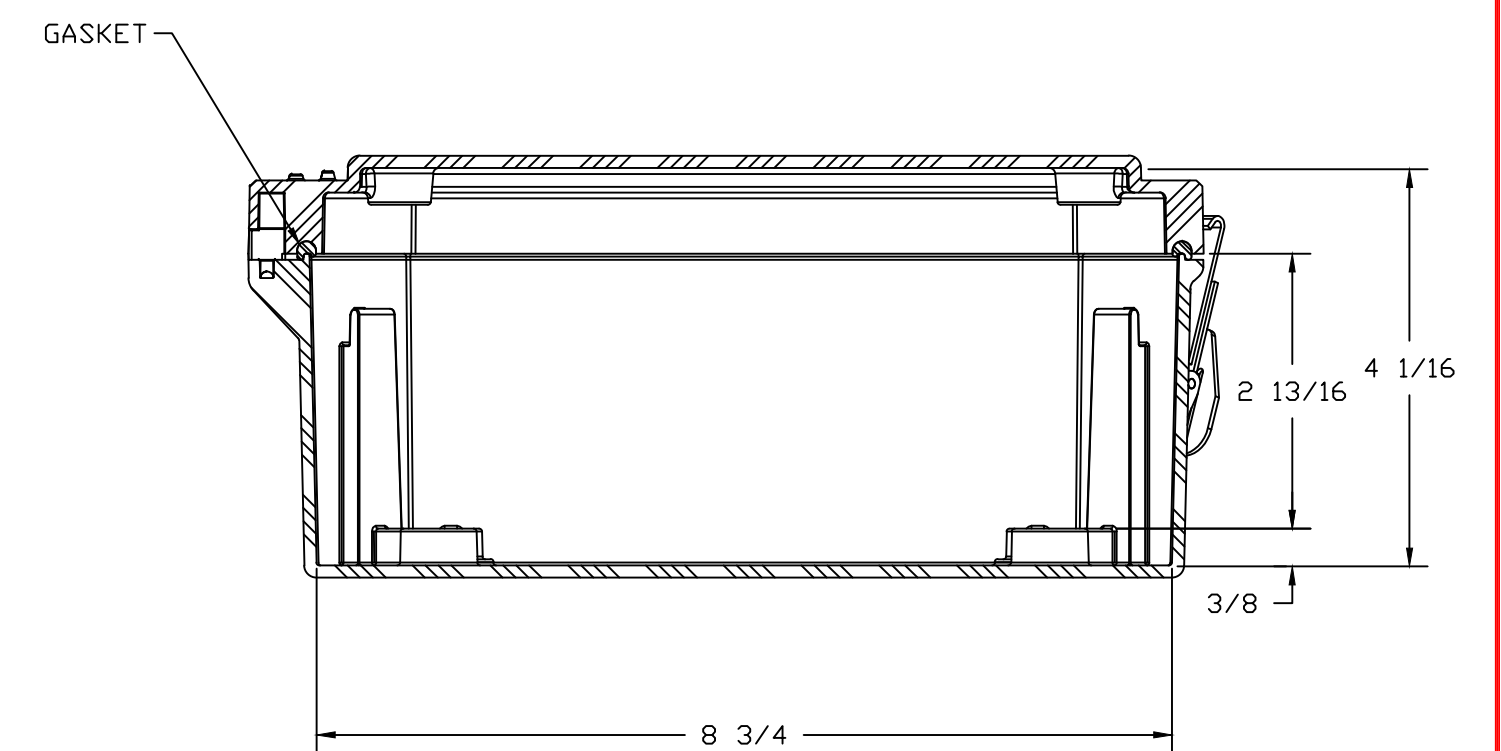
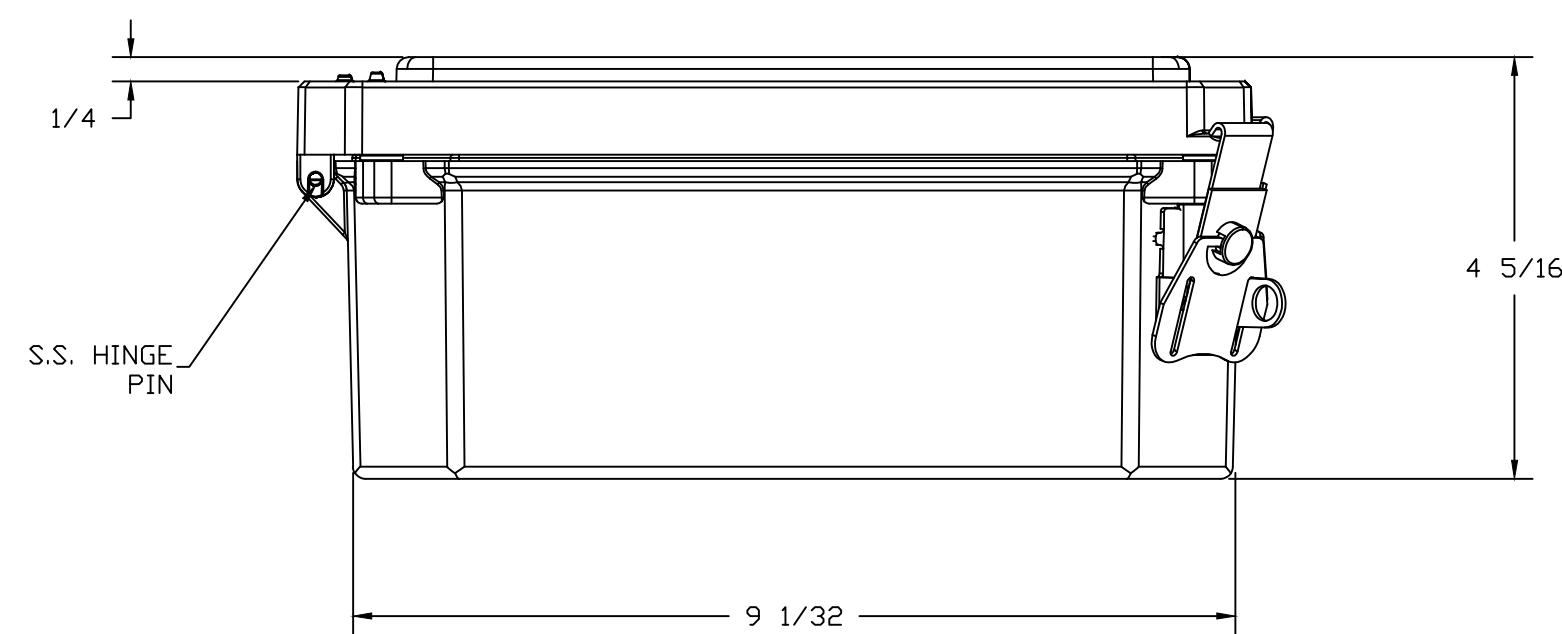
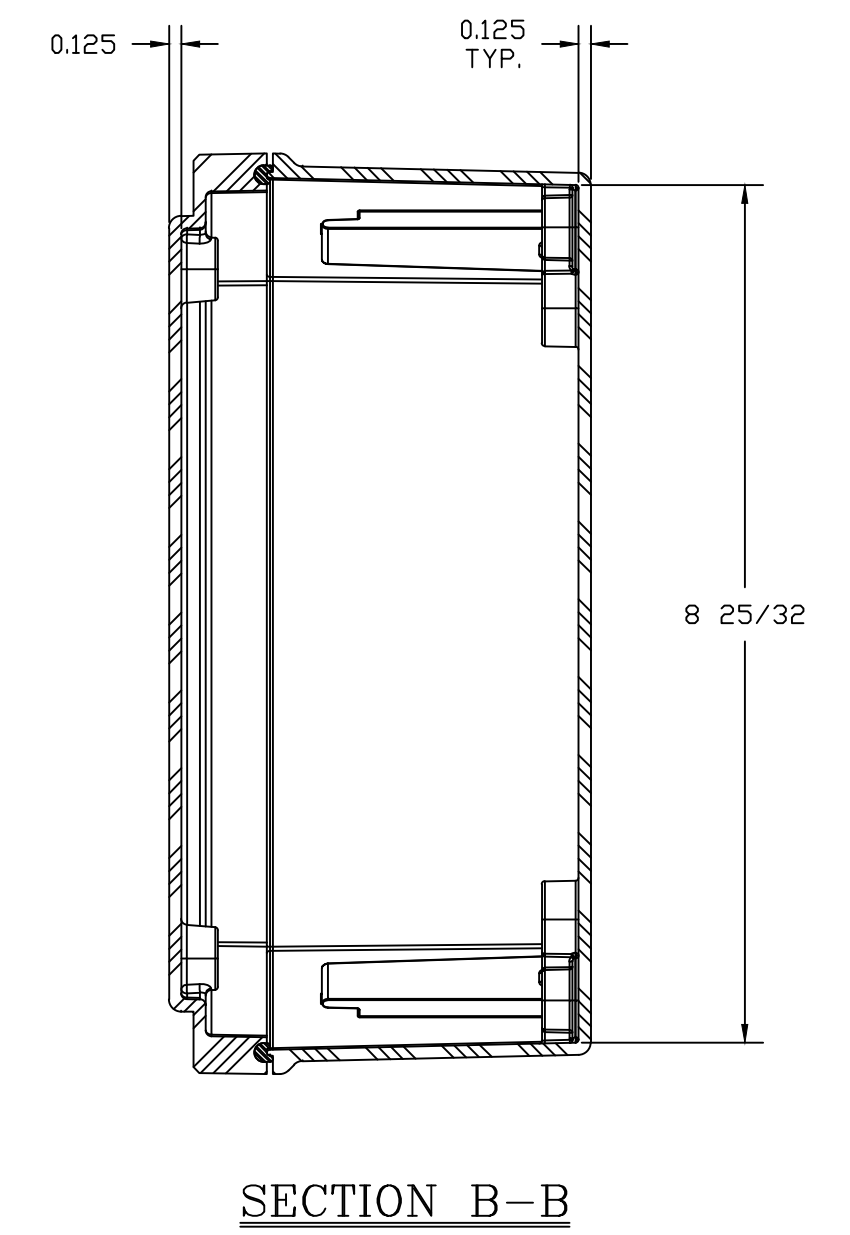
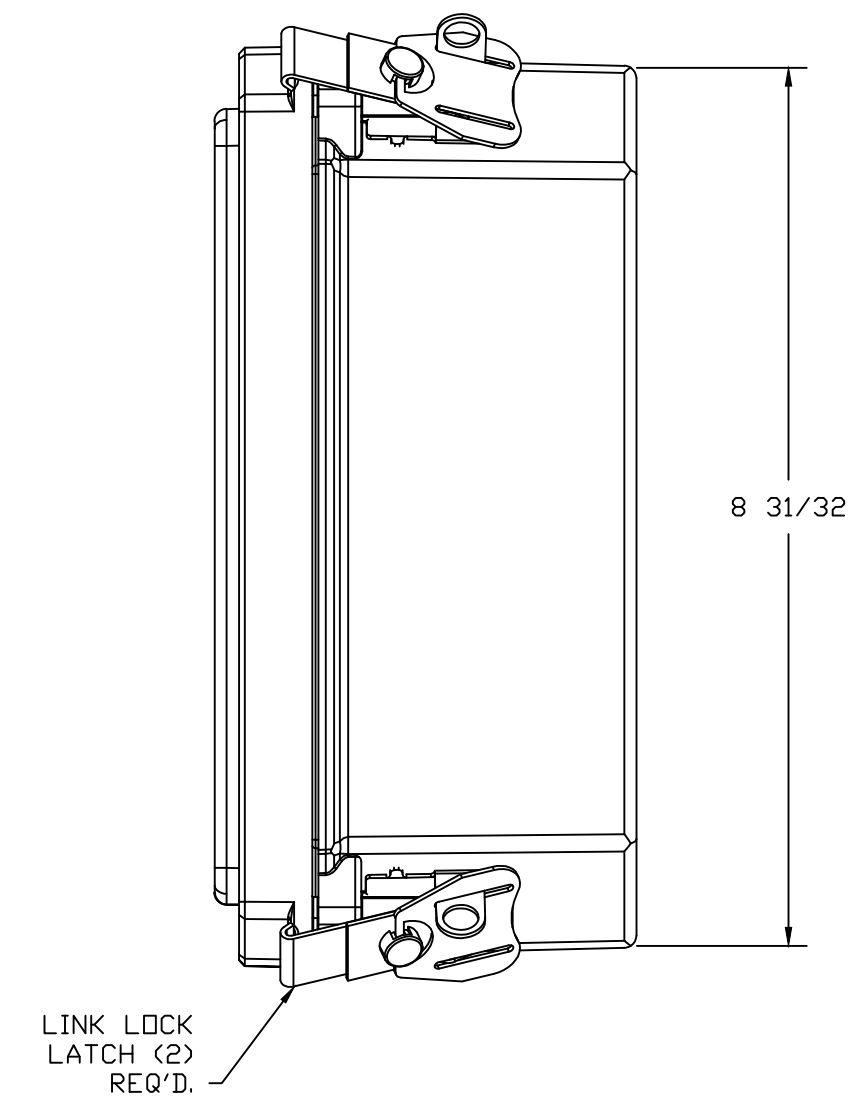
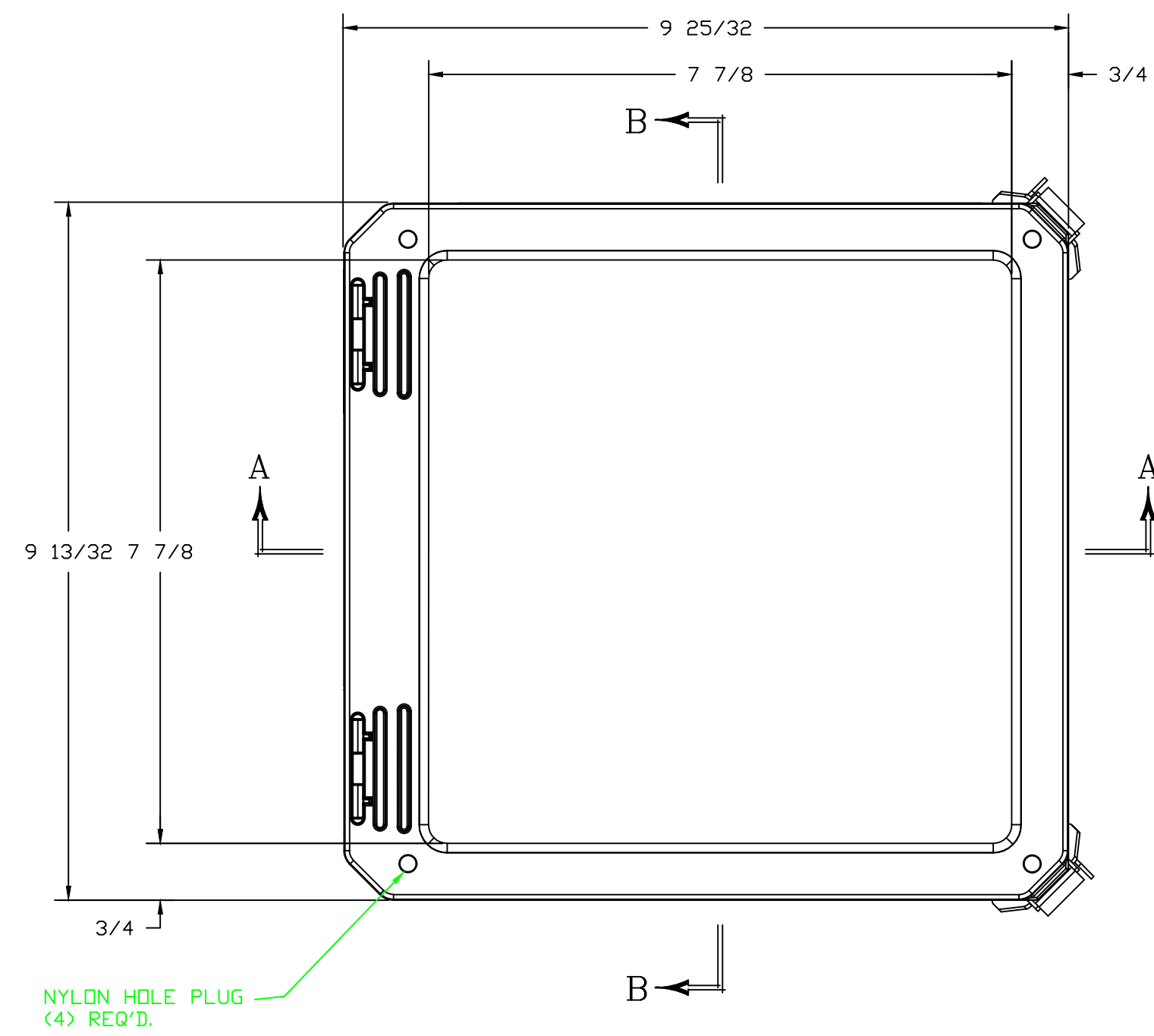



WITH COVER REMOVED



NOTES:

COLOR: GLACIER GRAY RR1013		TOLERANCES UNLESS SPECIFIED		DECIMAL ± .010	FRACTIONAL ± 1/32
NEMA 1, 3, 3S, 4X, 12, 13 IP66					
MATERIAL	F.R. POLYESTER FIBERGLASS	DR. BY	DATE	 STAHLIN ENCLOSURES DIVISION OF ROBROY INDUSTRIES	
LET.	REVISION RECORD	DATE	BY	CHD.	BELDING, MICHIGAN 48809
					AutoCAD DWG. FILE DS80804HLL
					CUSTOMER: STAHLIN
					PART NAME: ENCLOSURE
					PART NO.: DS80804HLL