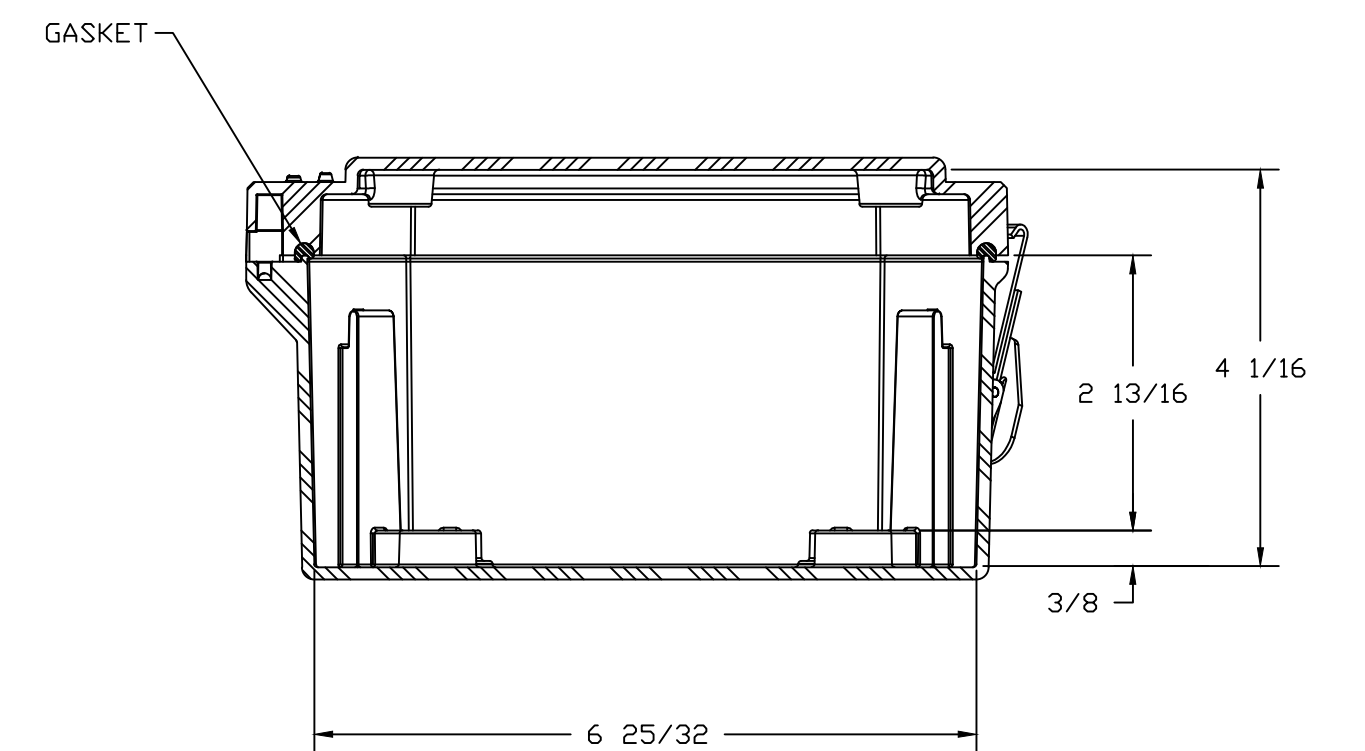
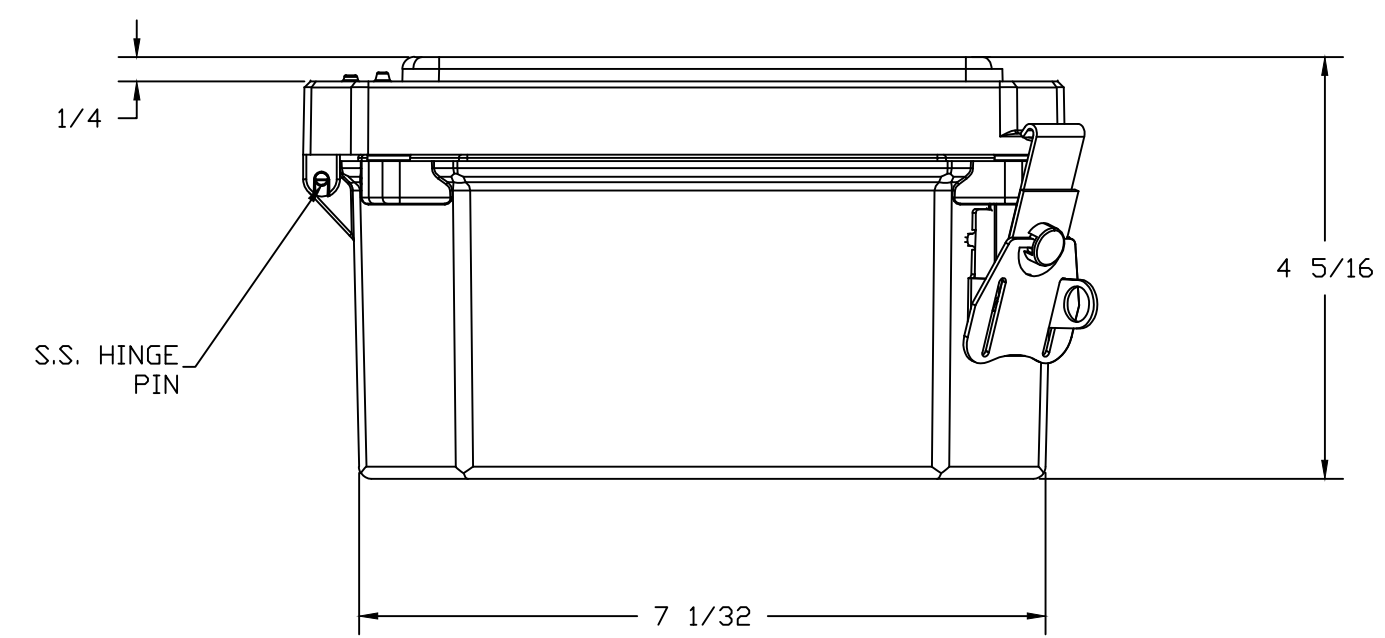
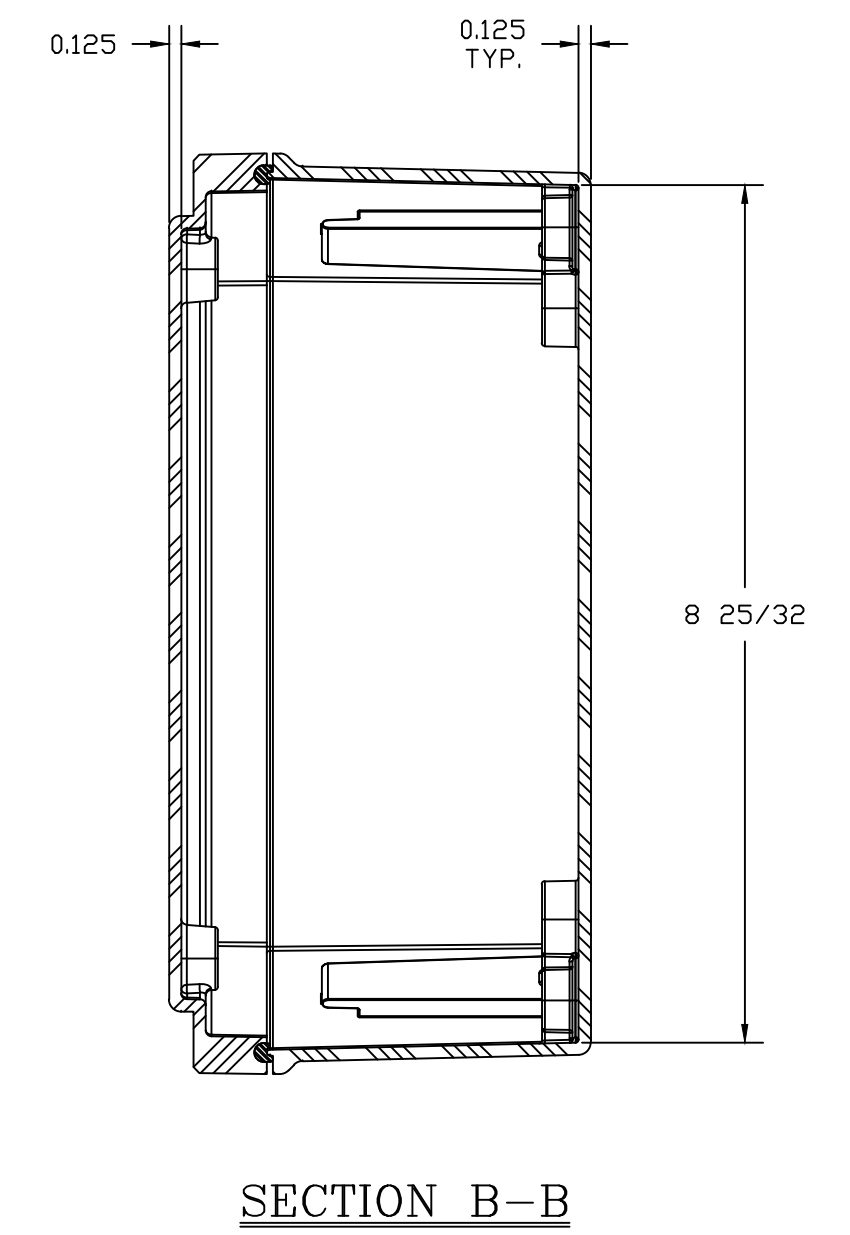
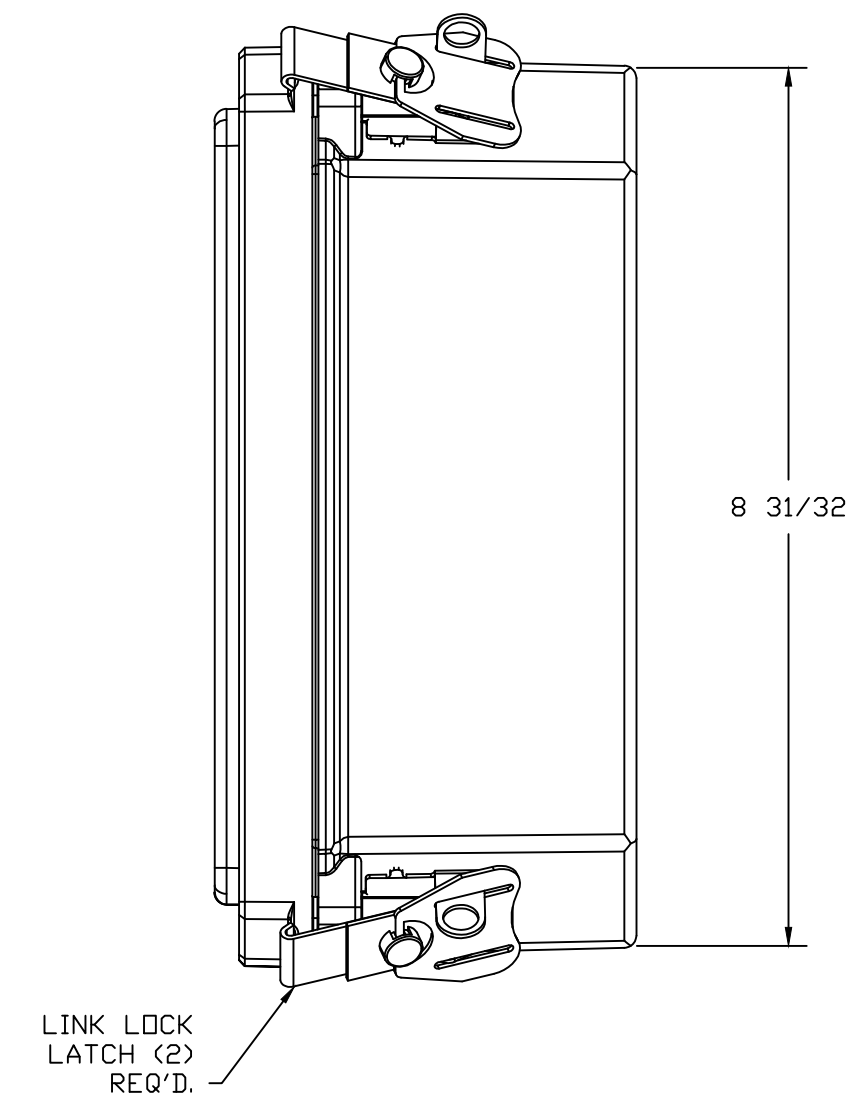
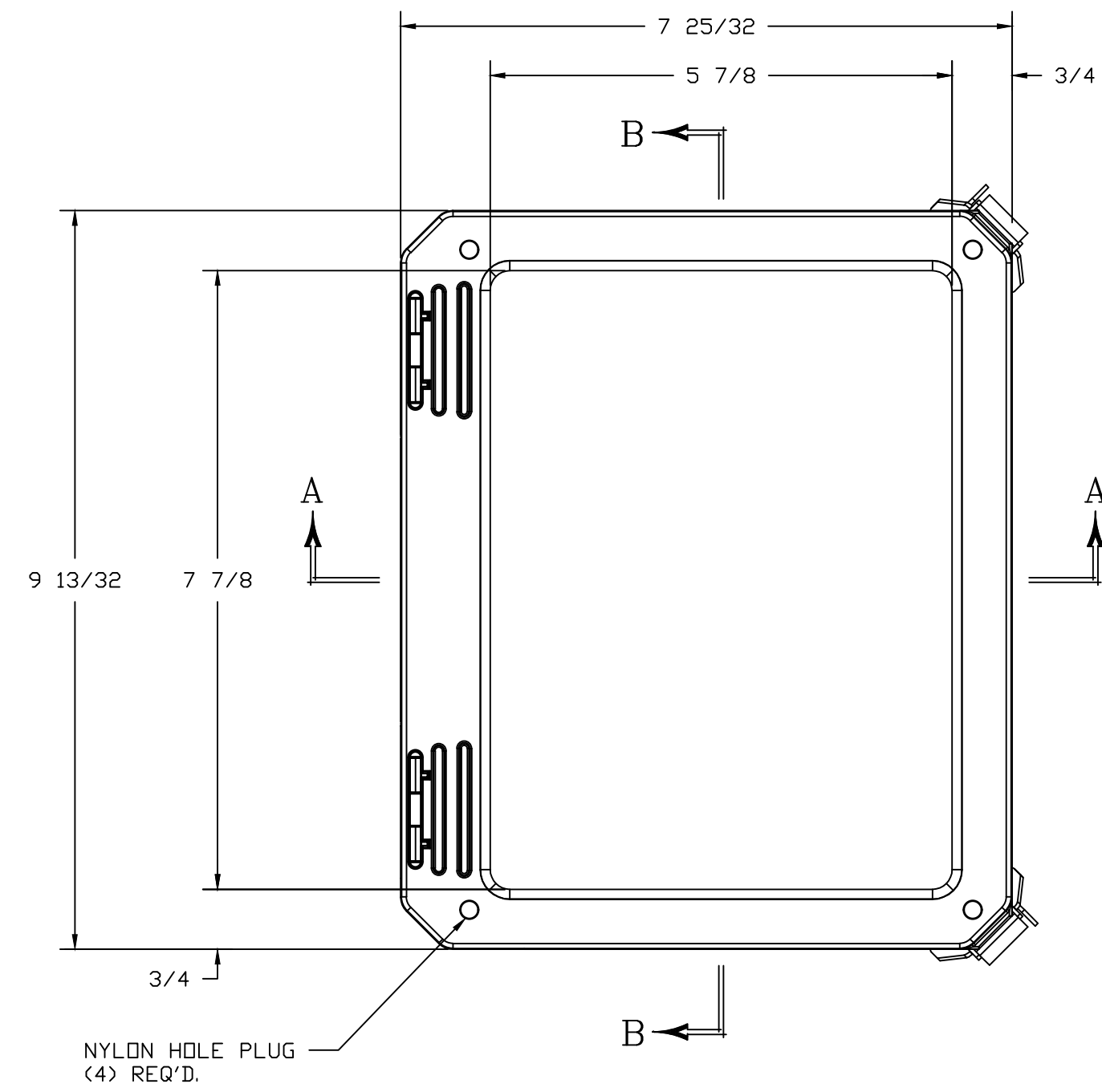


WITH COVER REMOVED



SECTION A-A

NOTES:

COLOR: GLACIER GRAY RR1013		TOLERANCES UNLESS SPECIFIED		DECIMAL ± .010	FRACTIONAL ± 1/32
NEMA 1, 3, 3S, 4X, 12, 13 IP66					
MATERIAL: F.R. POLYESTER FIBERGLASS		DR. BY: SSZJB	DATE: 10/21/02		
REVISION RECORD		CHK. BY:	DATE:		
LET.	DATE	BY	CHD.	APD. BY	DATE
SCALE: DO NOT SCALE		PART NAME: ENCLOSURE		PART NO.: DS80604HLL	

AutoCAD DWG FILE  
DS80604HLL