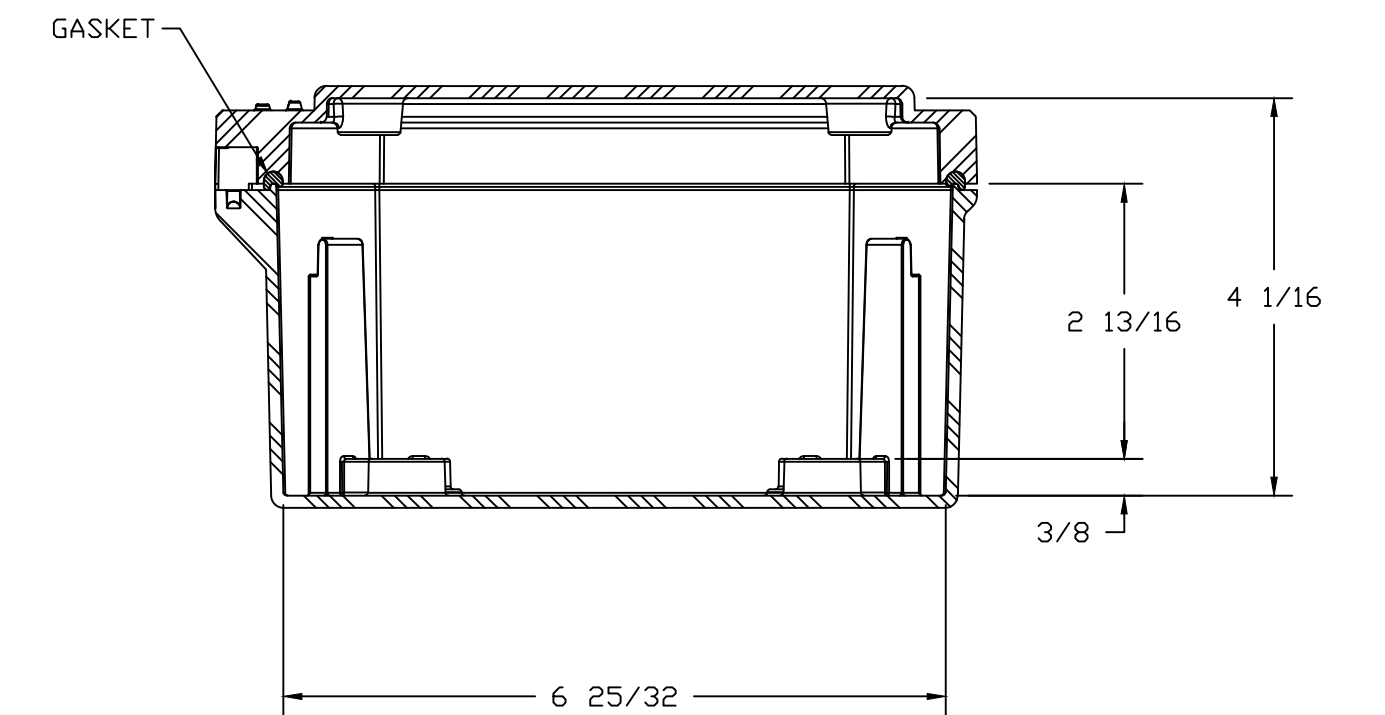
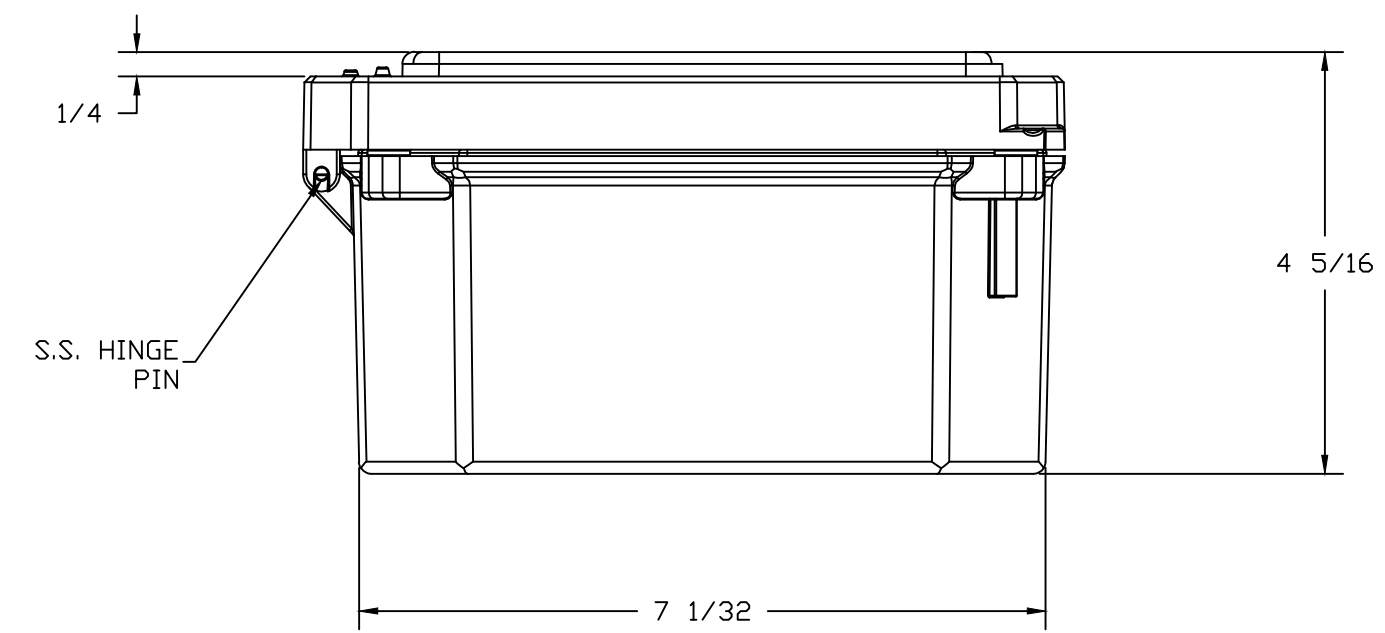



SECTION B-B



SECTION A-A

NOTES:

| | | | | | |
|--------------------------------|---------------------------|-----------------------------|------|---------------------------------------------------------------------------------------|-----------------------------|
| COLOR: GLACIER GRAY RR1013 | | TOLERANCES UNLESS SPECIFIED | | DECIMAL ± .010 | FRACTIONAL ± 1/32 |
| NEMA 1, 3, 3S, 4X, 12, 13 IP66 | | | | | |
| MATERIAL | F.R. POLYESTER FIBERGLASS | DR. BY | DATE |  | |
| LET. | REVISION RECORD | DATE | BY | CHD. | BELDING, MICHIGAN 48809 |
| | | | | | AutoCAD DWG. FILE DS60604HW |
| | | | | | PART NAME ENCLOSURE |
| | | | | | PART NO. DS60604HW |