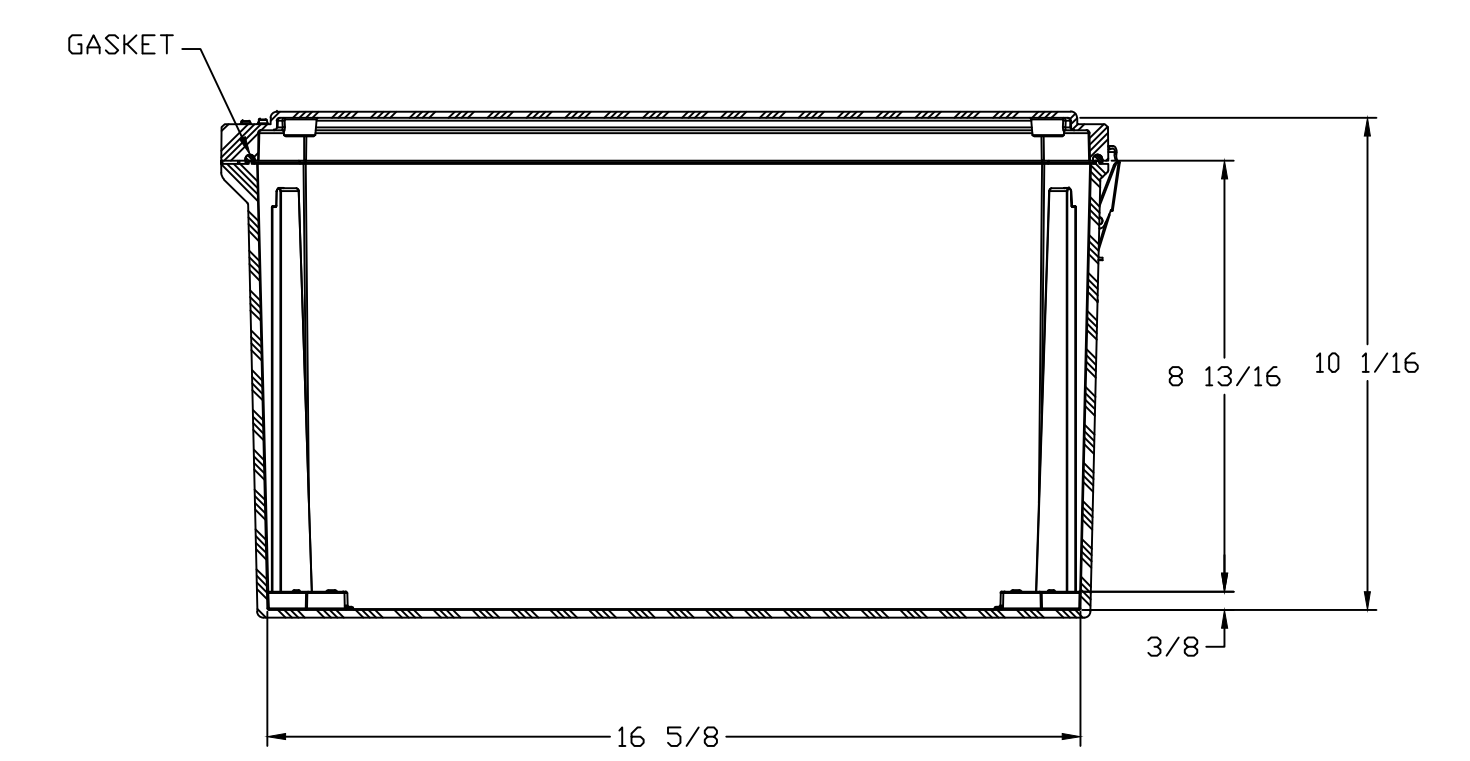
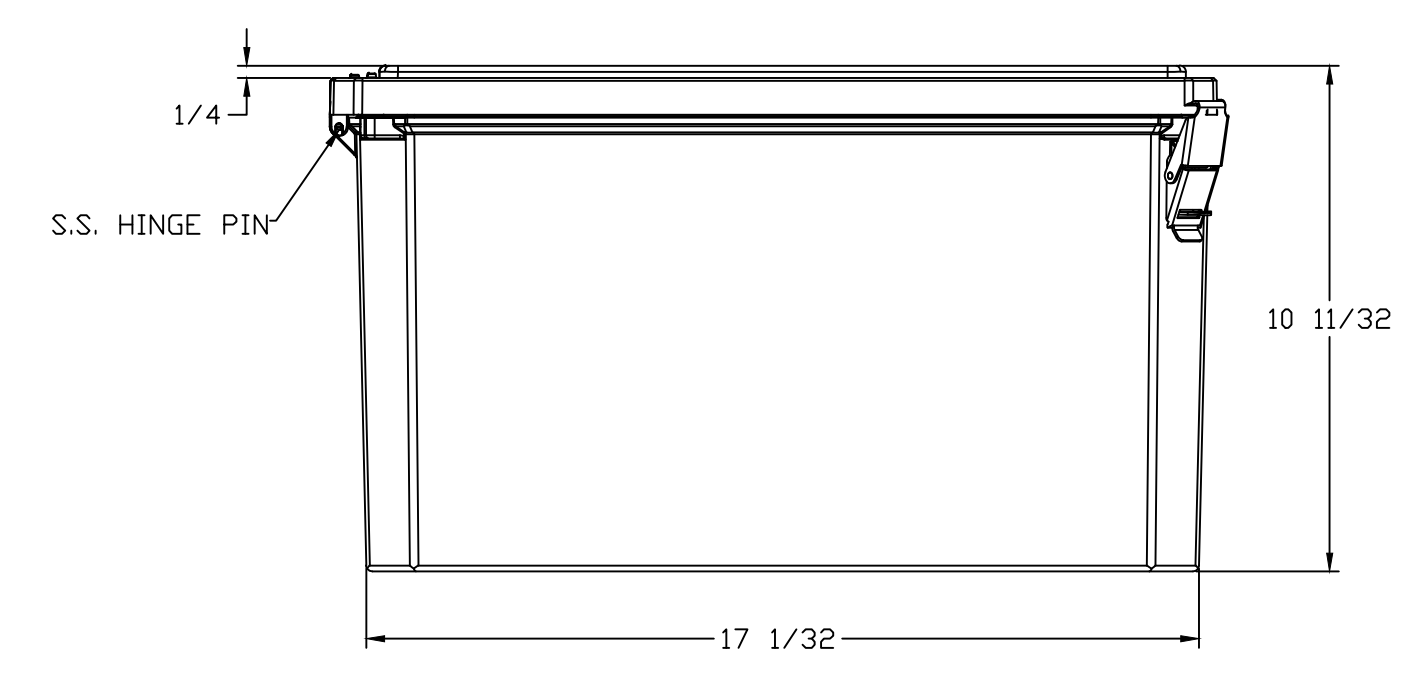



SECTION B-B



SECTION A-A

NOTES:

NEMA 1, 3, 3S, 4X, 12, 13 IP66		TOLERANCES UNLESS SPECIFIED		DECIMAL ±.010	FRACTIONAL ± 1/32		
MATERIAL F.R. POLYESTER FIBERGLASS		DR. BY L.B.	DATE 1/04/07	 BELDING, MICHIGAN 48809			
LET.	REVISION RECORD	DATE	BY			CHD.	CHK. BY
					DATE	CUSTOMER	AutoCAD DWG. FILE DS181610HPL
					SCALE DO NOT SCALE	PART NAME ENCLOSURE	PART NO. DS181610HPL