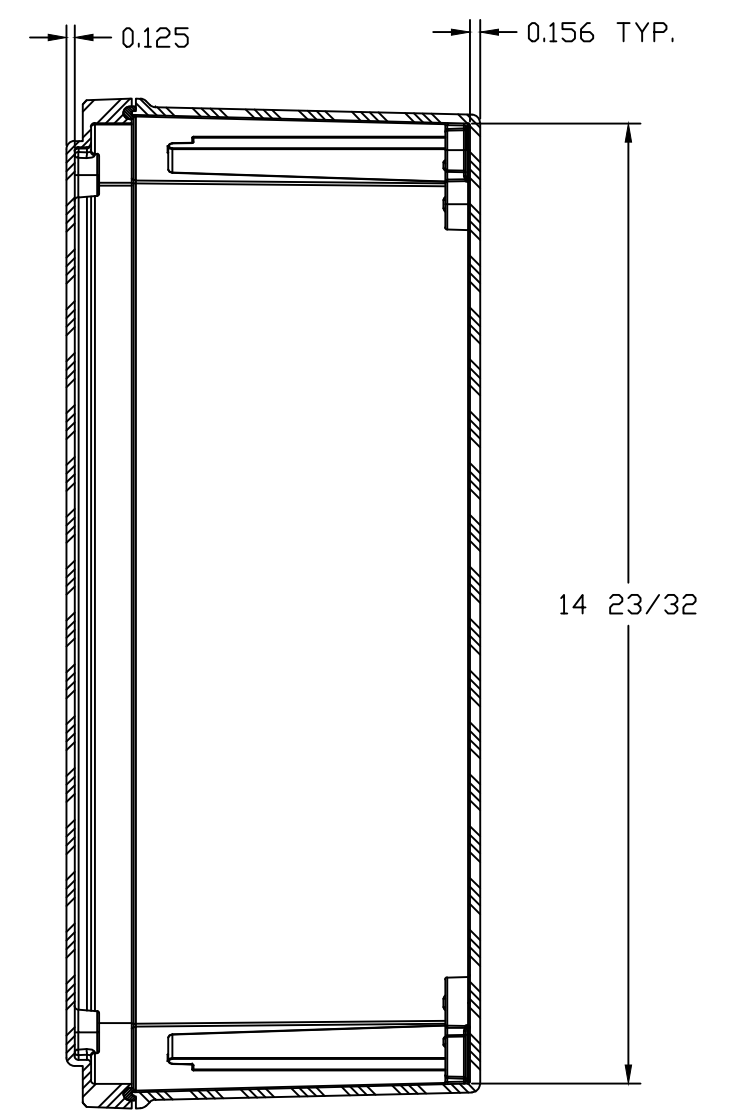
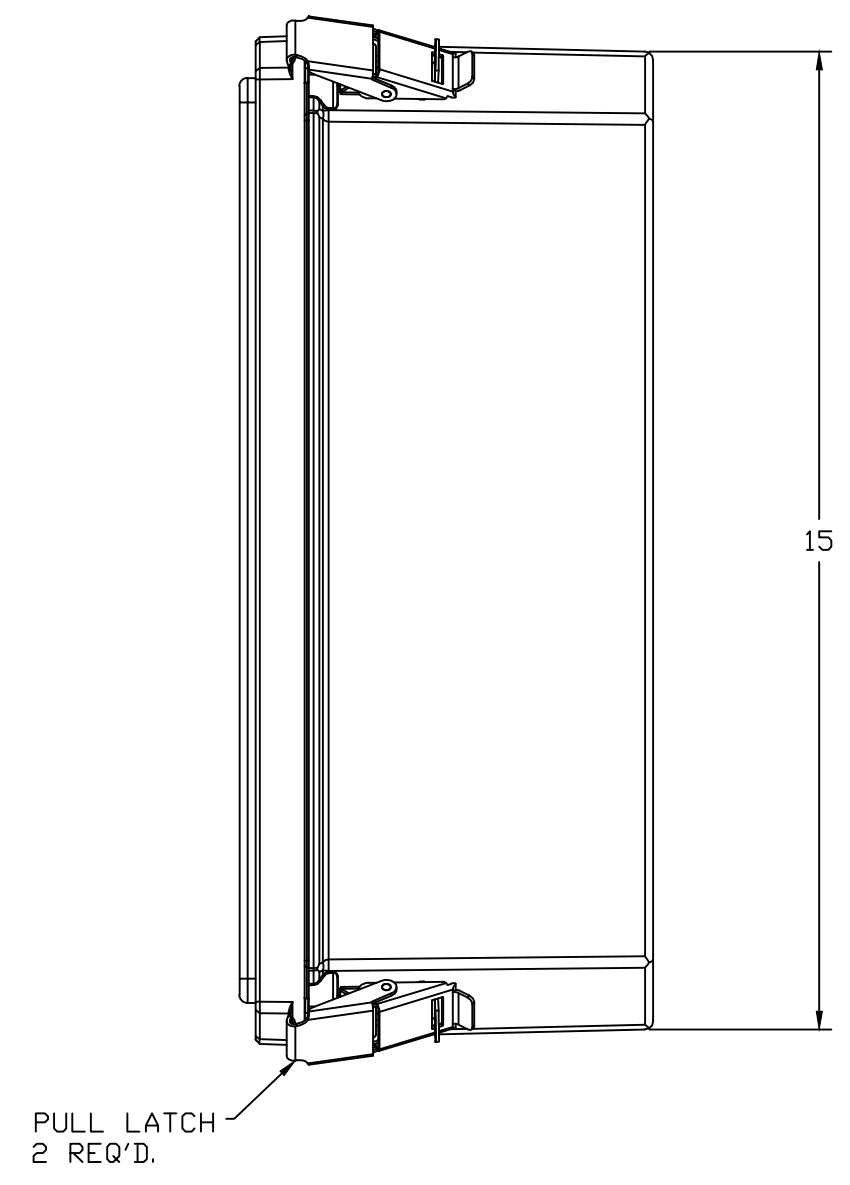
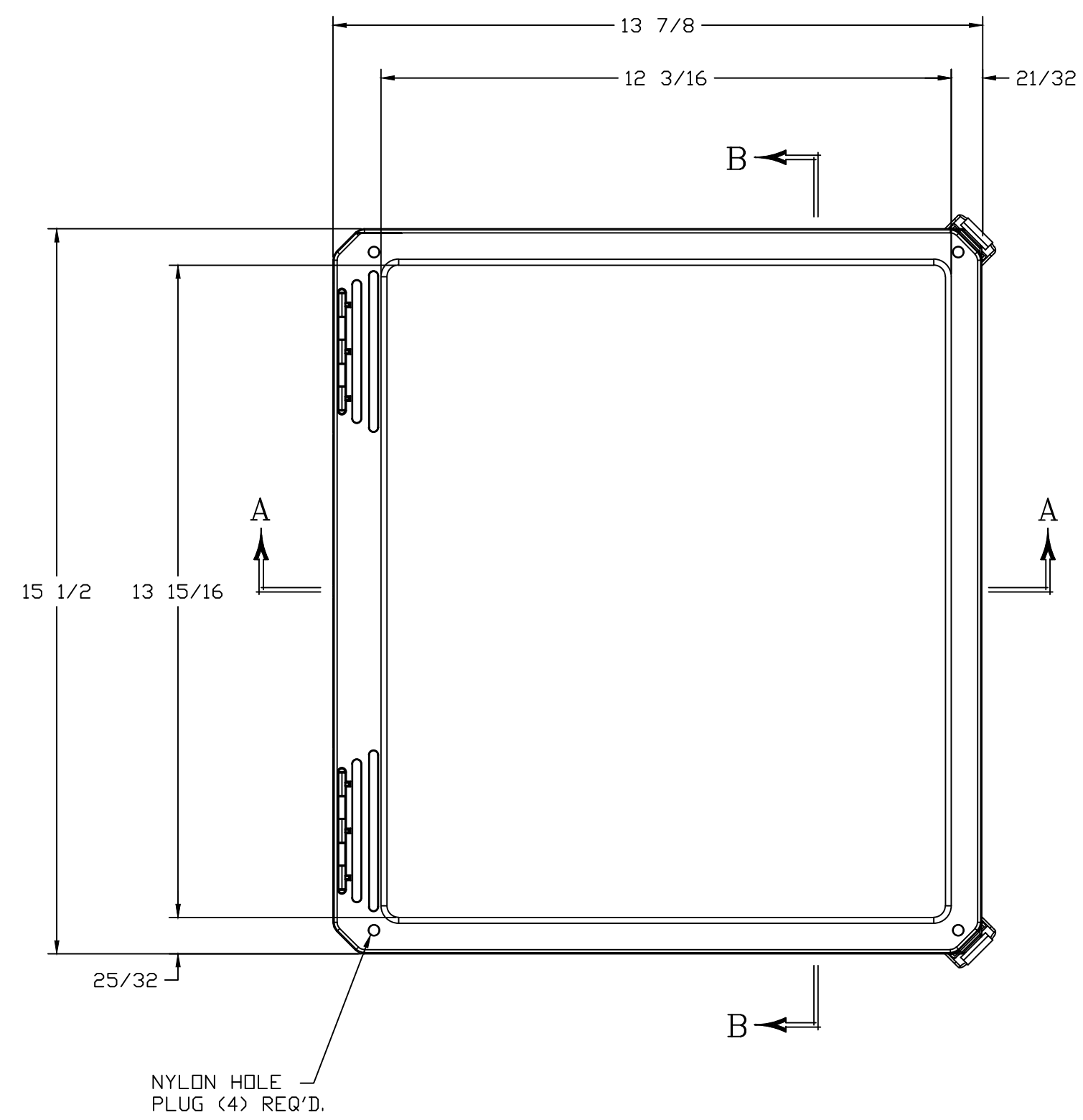
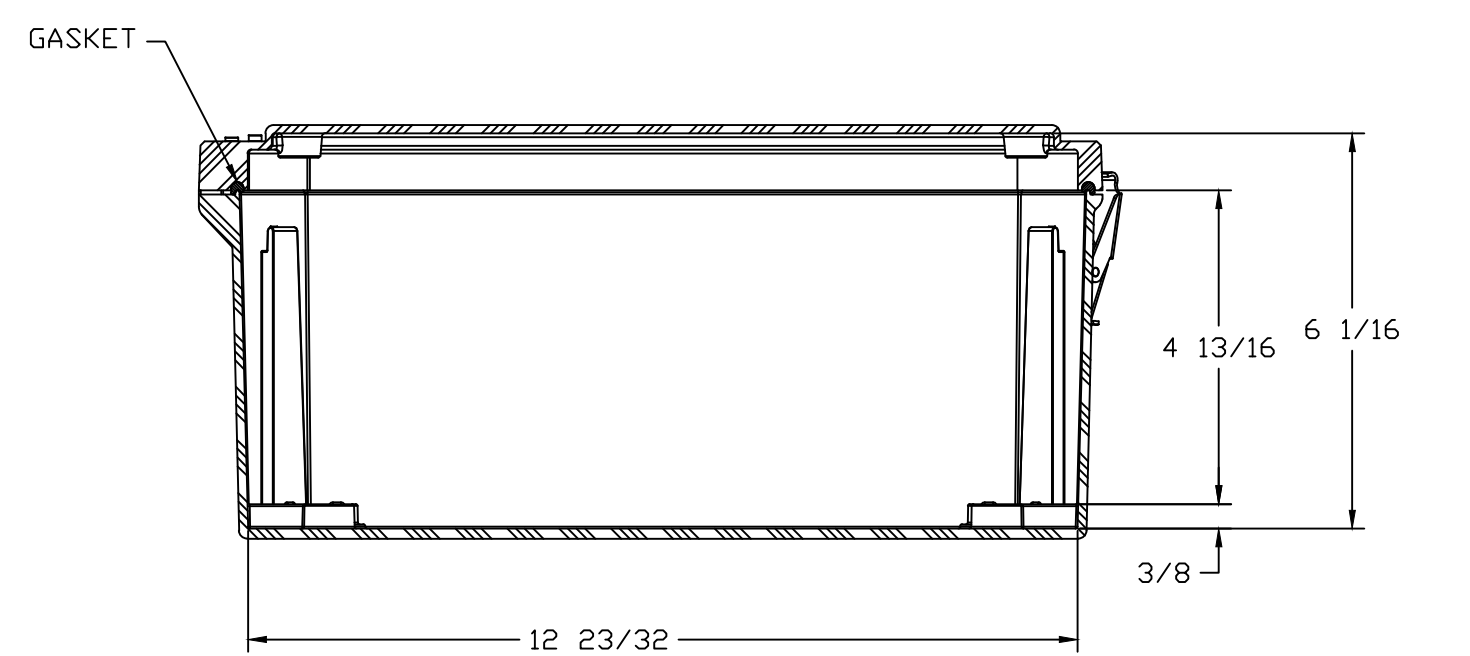
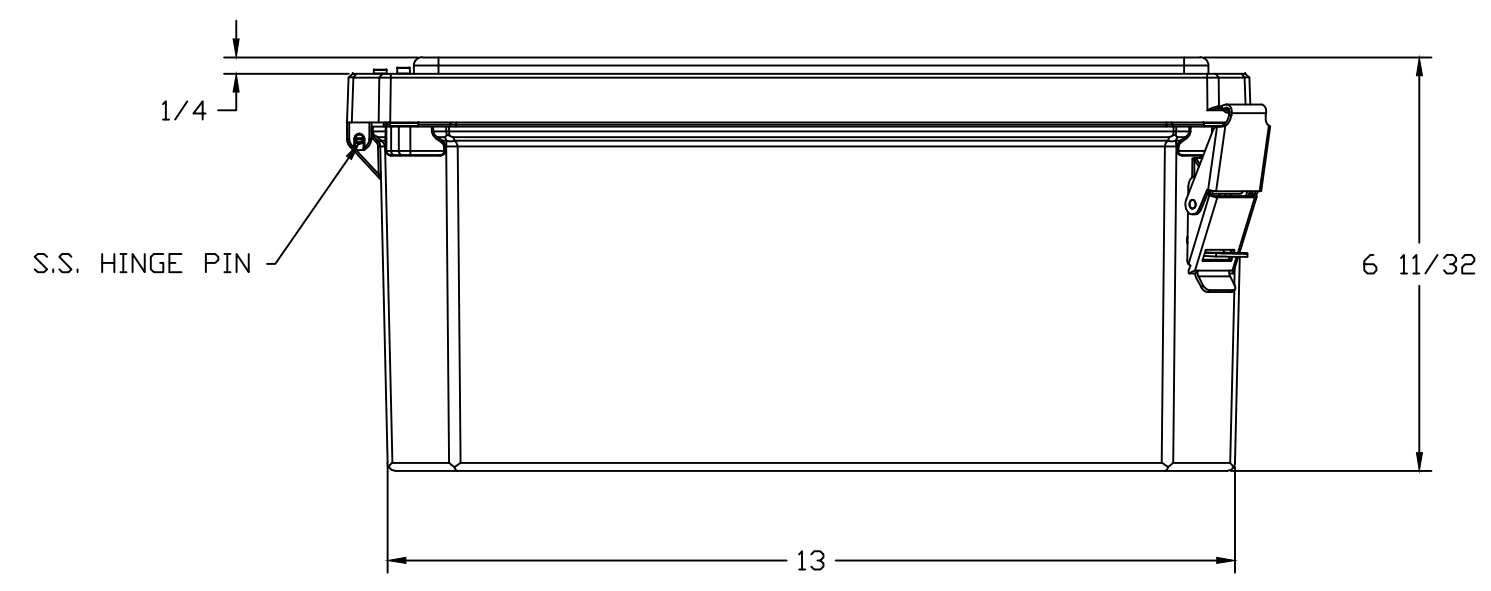


WITH COVER REMOVED



SECTION B-B



SECTION A-A

NOTES:

COLOR: GLACIER GRAY RR1013				TOLERANCES UNLESS SPECIFIED		DECIMAL ± .010	FRACTIONAL ± 1/32
MATERIAL NEMA 1, 3, 3S, 4X, 12, 13 IP66				DR. BY	DATE		
F.R. POLYESTER FIBERGLASS				CHK. BY	DATE		
LET.	REVISION RECORD	DATE	BY	CHD.	APD. BY	DATE	CUSTOMER
							BELDING, MICHIGAN 48809
SCALE DD NDT SCALE				PART NAME ENCLOSURE		PART NO. DS141206HPL	

AutoCAD DWG. FILE DS141206HPL